



TOP DAMPER CHIMINEY DAMPER

AC02740, AC02741, AC02742
Operator's Manual
Original Operating Instructions

THANK YOU AND CONGRATULATIONS...

For purchasing an SBI Heating Accessories, The Top Damper Chimney Damper. Made in the USA of durable aluminum. It is designed to help save in heating and cooling bills; to help prevent downdrafts and odors; to keep out rain, snow, birds, and pests; and to reduce outside noise.



LIMITED LIFETIME WARRANTY

SBI Heating accessories warrants for the purchaser's lifetime that our Top Damper Chimney Damper, when reasonably maintained and used on solid fuel burning chimneys, shall be free from any defects in material; or manufacturer's workmanship. Proof of purchase will be required to save your receipt. A Return Goods Authorization Number need to be returned to our facility, prepaid, at 250 rue de Copenhague Saint-Augustin-de-Desmaures, Québec, Canada, G3A 2H3. SBIHA shall not be liable for any consequential or identical damages resulting in loss from the use of this product.

In no case will SBIHA's liability exceed the customer's purchase cost.

SBI Heating Accessories
250 rue de Copenhague |
Saint-Augustin-de-Desmaures
Québec, Canada G3A 2H3
Fax number: 888-355-5067
Email us at service@sbi-international.com

Specifications subject to change without notice.

NOTICE: WE ARE NOT RESPONSIBLE FOR TYPOGRAPHICAL ERRORS.

PROFESSIONAL INSTALLATION.....	2
SAFETY PRECAUTION.....	2
TOOLS NEEDED FOR INSTALLATION.....	2
INSTALLATION INSTRUCTIONS.....	5
OPERATION INSTRUCTIONS.....	5

WARNING

The **Top Damper Chimney Damper** is made for use only with open woodburning masonry fireplace chimneys and are NOT suitable for use in these installations:

- Don't use on chimneys serving vented gas logs. Vented gas logs require the fireplace damper to be removed completely or fixed to a permanently open position; this is to assure that soot, fumes and carbon monoxide do not enter your home.
- Use only on vent-free gas logs if approved by the appliance manufacturer and the local authority having jurisdiction. However, we don't recommend it because the moisture generated from the gas logs could damage the chimney structure.
- Don't use on chimneys serving other fuels, wood stoves or other appliances such as inserts, furnaces, etc.

PROFESSIONAL INSTALLATION RECOMMENDED

Some chimneys are difficult to access. SBI Heating Accessories recommends that you call your local CSIA or WETT certified chimney sweep to install your new damper and clean your chimney at the same time. This will not only help with the installation, but will help ensure that your flue is in good working condition.

SAFETY PRECAUTIONS

As with any product you install, especially on your roof, there are safety precautions, including:

- Using a ladder and working on your roof in a safe manner;
- Working on roof only in good weather, not in rain, ice, snow, or lightning;
- Making sure the damper will open properly before starting a fire;
- Using safety glasses when drilling;
- Using a masonry bit when drilling into masonry;
- Using only the adhesive provided.

In addition, be sure to check local codes and the appliance manufacturer before installing on flues venting gas fireplaces or gas appliances.

TOOLS NEEDED FOR INSTALLATION

Hammer, power drill, 1/4" masonry drill bit, safety glasses, wire cutters, and ladder.

INSTALLATION INSTRUCTIONS

STEP 1: BEFORE GOING ON THE ROOF

Check that all parts are present

- Damper assembly: damper, cable, cable spring
- Adhesive tube (1)
- Allen wrench (1)
- Bracket (1)
- Chain assembly: chain, brass lug, handle (1)
- Nail anchors (2)



If any parts are missing, call SBI Heating Accessories:
418-908-8002

STEP 2: ON THE ROOF

A. Carry damper and adhesive to roof

B. Prep flue liner and damper

- Make certain top of flue liner is dry and clean.
- Be certain 4 inch spring will hang freely from lid when damper is closed.
- Lower unattached end of cable to fireplace opening below.

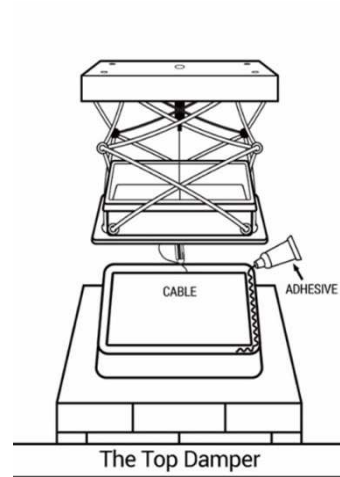
C. Adhere damper to the flue liner

- Use the adhesive cap to open the tube.
- Apply adhesive to top of flue liner all the way around the opening.

Important: Use only the adhesive furnished.

Caution: Direct contact with adhesive will irritate eyes or skin. Read directions on tube carefully. **Keep adhesive out of reach of children.**

- Press the damper onto the flue liner. Allow 24 hours to set before using fireplace.



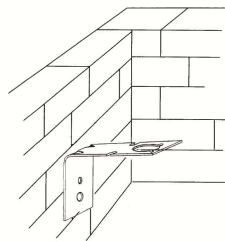
STEP 3: AT THE FIREPLACE

A. Mount bracket in fireplace

- Using 1/4" masonry drill bit, drill one hole about 1" deep into firebrick towards the front of the fireplace and about 20" off the firebox floor (see illustration).

Important: If brick is loose, first repair it with refractory mortar or call local mason.

Caution: Wear safety glasses when drilling. Use only masonry drill bit. Failure to do so can cause cracks in the firebox wall.



Placement of Bracket in Firebox

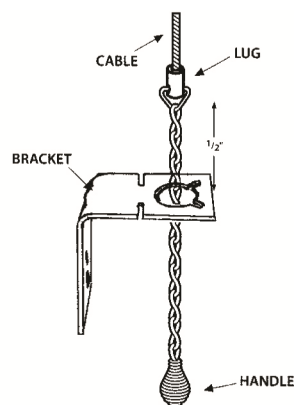
- Insert nail anchor in top hole of bracket and secure to firebox wall with hammer.
- Drill second hole after bracket is attached to firebox wall. Add second nail anchor and secure.

[Illustration Call Outs: Placement of Bracket in Firebox]

B. Install cable handle

- Pull cable through bracket until a slight tension can be felt. Damper should now be closed.
- Slide brass lug onto cable 1/2" above bracket (see illustration).
- Close damper by pulling cable down and placing lug under bracket.

[Illustration Call Outs: Cable, Lug, Bracket, Handle, Bracket and Handle Assembly]



C. Check and adjust operation

- Return to the roof and check that the damper is tightly sealed. If it is not, adjust lug upward for better seal. Do not overdo it – if lug is raised too far, this may activate the cable leg and actually open the damper.
- Cut off excess cable.

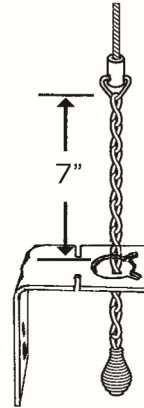
OPERATION INSTRUCTIONS

Opening and closing the damper

A. Open the damper before starting a fire.

- Pull handle down slightly and release, allowing lug to pull up and hang freely about 7" above the bracket. (see illustration). If lug only hangs 1" to 2" above bracket, damper may not be open.

Warning: Do not start a fire if damper is not clearly open. Failure to follow this rule may cause smoke damage.

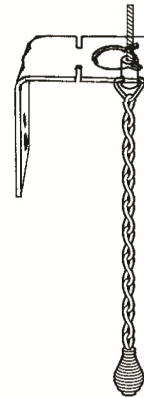


B. Close the damper after the fire is completely out.

- Pull handle down until lug is below bracket. Move cable into any notch in bracket and release handle.

C. If damper does not open

- This may occur due to heavy snow, ice, or improper installation.
- Pull the handle down sharply 3" to 4" below the bracket. This pulls down the extra cable leg to pull the lid open.
- Release the lug up past the bracket.
- If necessary, inspect the damper on your roof to determine how to get it open, or call your local CSIA or WETT certified chimney sweep to do the inspection.



Energy saving note: Closing the damper when fireplace is not in use will prevent heated or air conditioned air from escaping out the chimney

Fire prevention warning: Remember to have your flue checked annually for creosote buildup by your local CSIA or WETT certified chimney sweep.