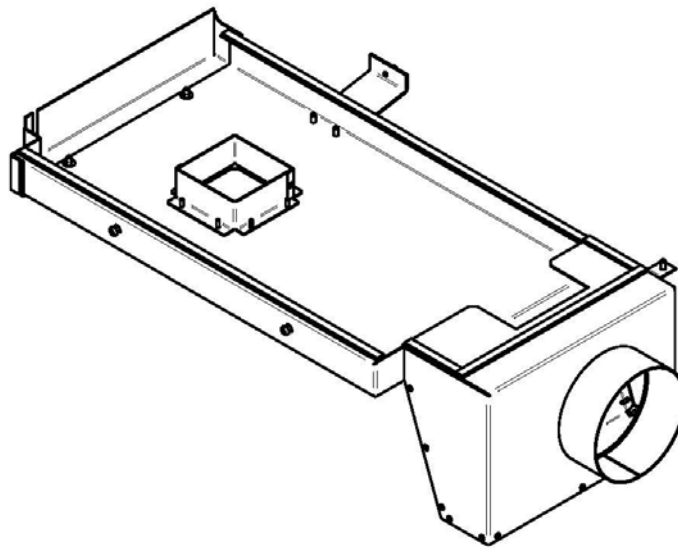




FRESH AIR KIT FOR WOOD STOVE ON LEGS **AC01341**

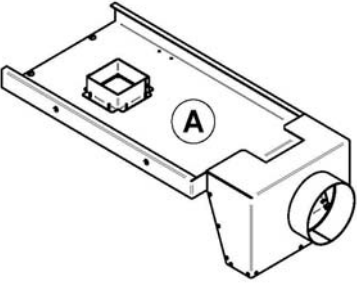
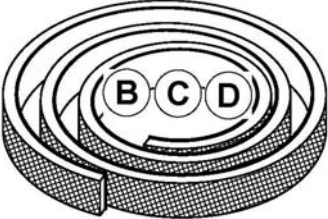

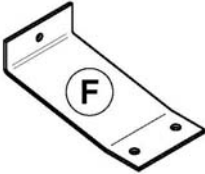
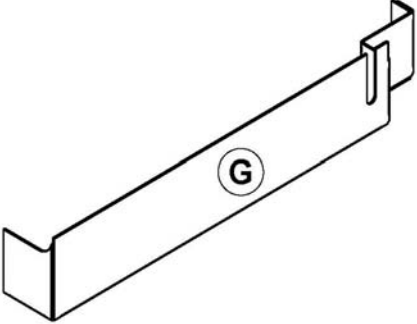

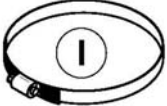
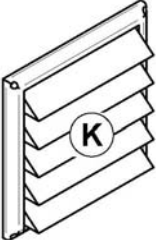
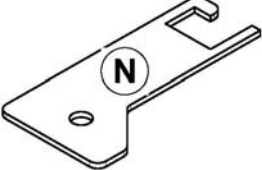
INSTALLATION INSTRUCTIONS



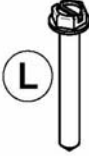
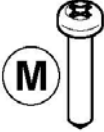
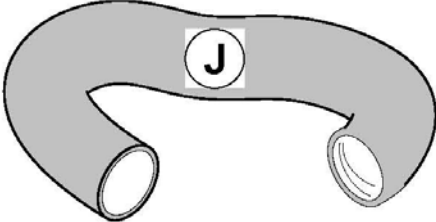
This manual is available for free download on the manufacturer's web site. It is a copyrighted document. Re-sale is strictly prohibited. The manufacturer may update this manual from time to time and cannot be responsible for problems, injuries, or damages arising out of the use of information contained in any manual obtained from unauthorized sources.

THE FRESH AIR INTAKE MUST AT ALL TIMES COME FROM OUTSIDE THE HOUSE.

The kit includes:

 <p>(1x)</p>	 <p>(4 3/4 ft – 1416 mm)</p>
 <p>(1x)</p>	 <p>(1x)</p>
 <p>(1x)</p>	 <p>Black Metal Screw #10 X 1/2", Type "A" Pan Quadrex (9x)</p>
 <p>(2x)</p>	 <p>(1x)</p>
 <p>(4X)</p>	

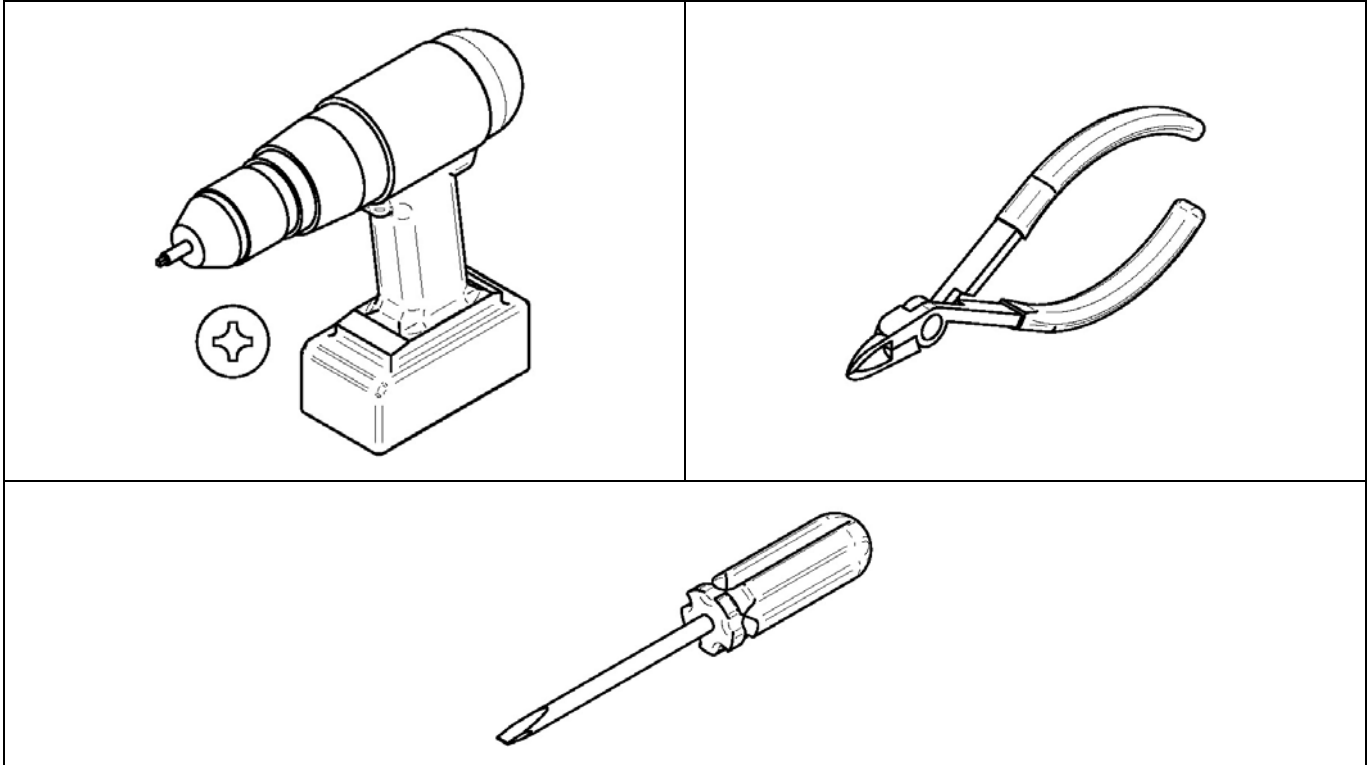
Items not included:

 <p>(4x) 12-24 UNC max., for air intake cap</p>	 <p>(4x) anchoring*</p>
 <p>(1x)**</p>	

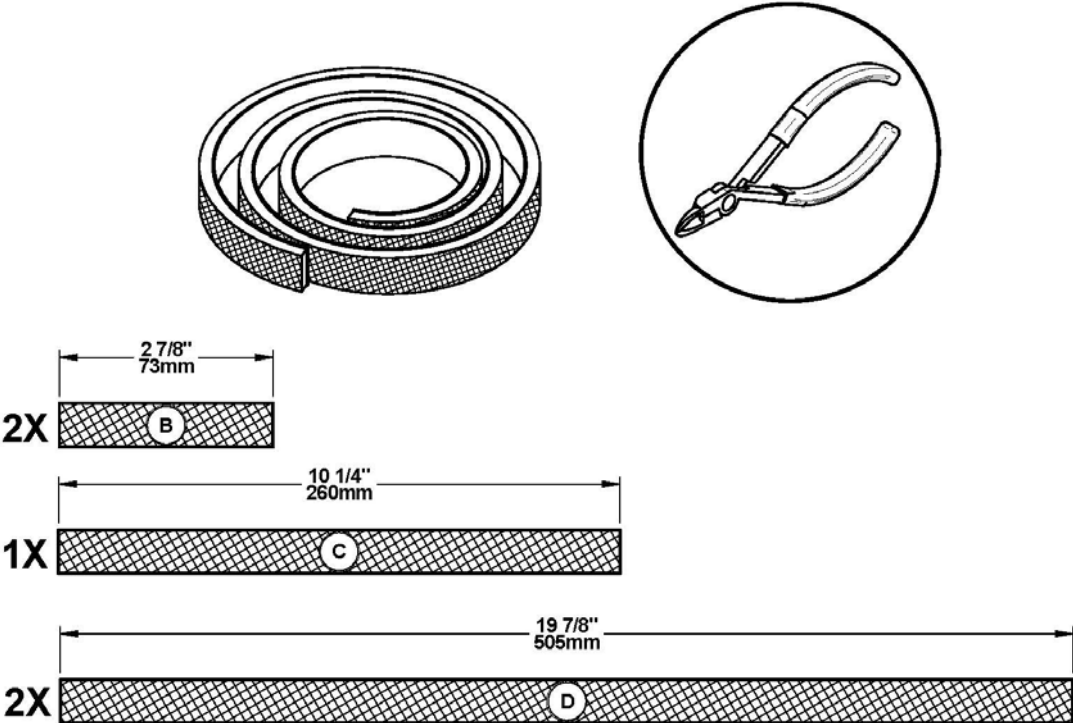
***Note:** When installed with a fresh air kit, the stove must be anchored to the floor (see **Step 12**). Use appropriate anchoring with regards to your installation.

****Note:** To connect to the outside, use a 5-inches diameter insulated flexible pipe (J). This HVAC type pipe must conform to ULC S110 and/or UL 181 standards and must withstand temperatures up to 250 °F.

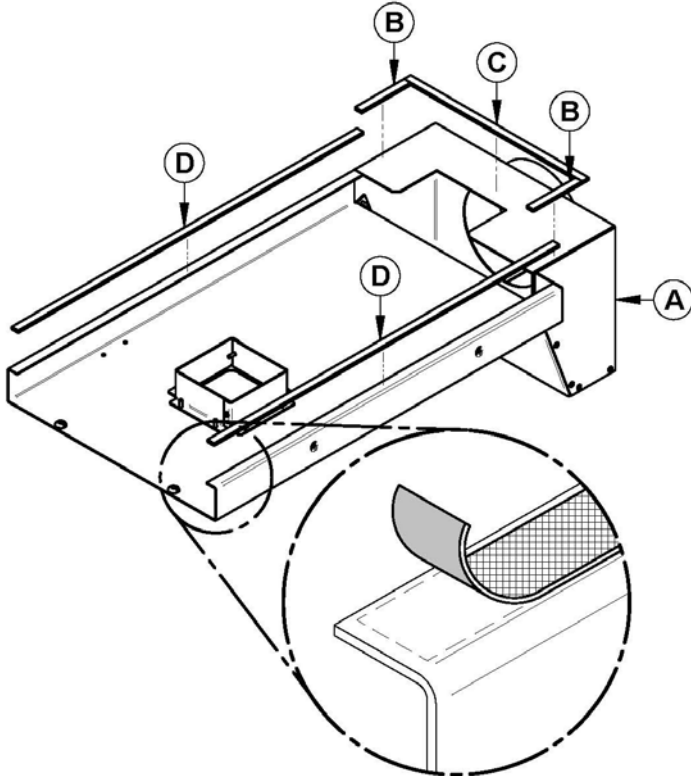
Tools required for installation:



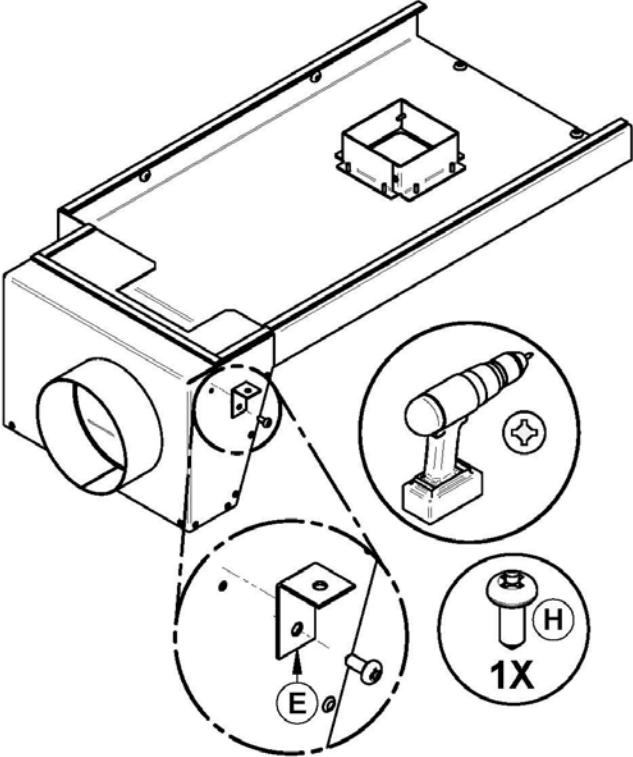
Step 1:



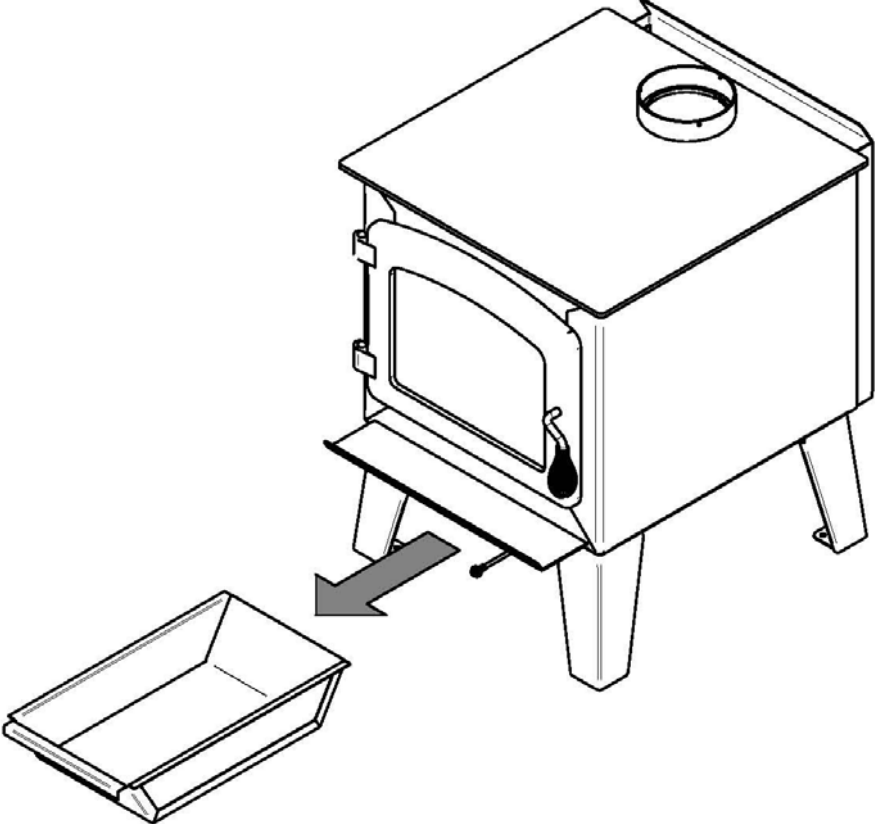
Step 2:



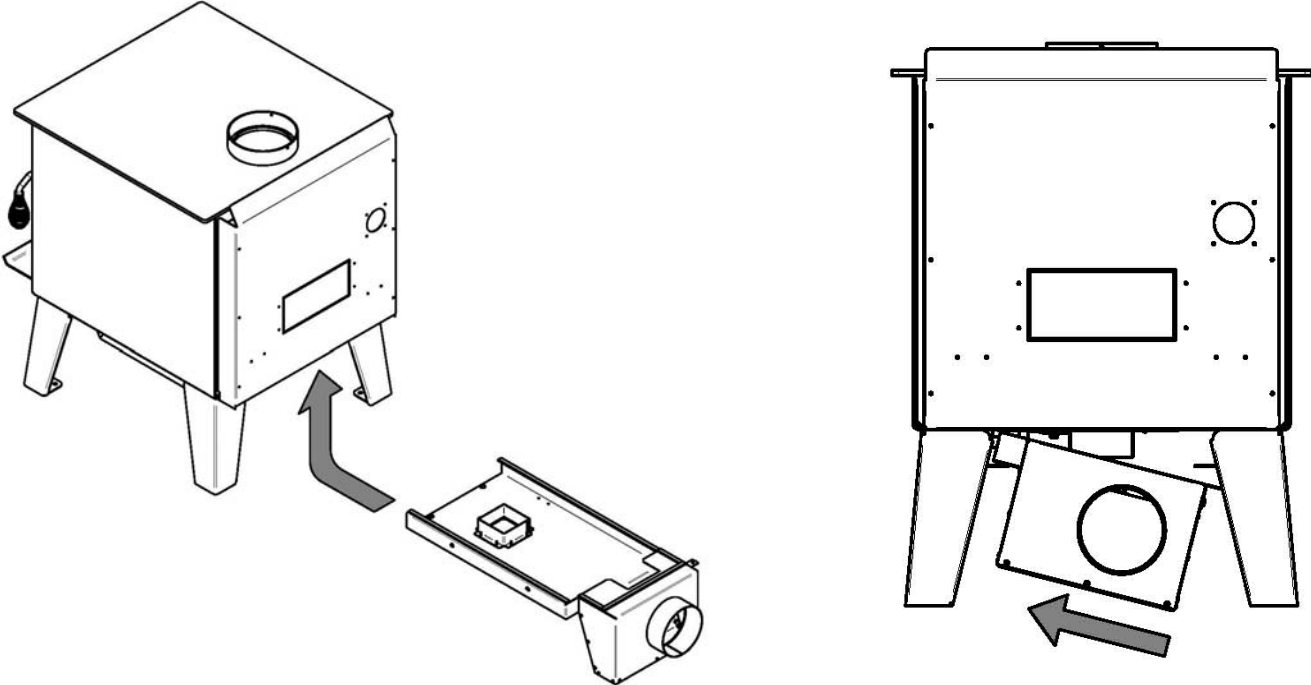
Step 3:



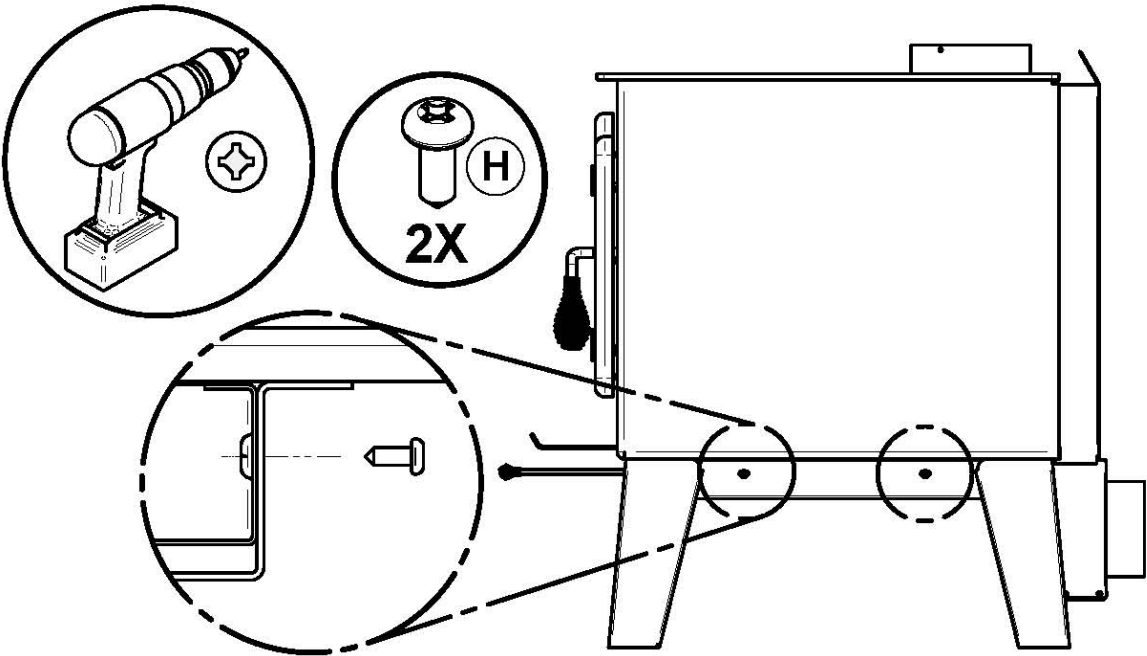
Step 4:



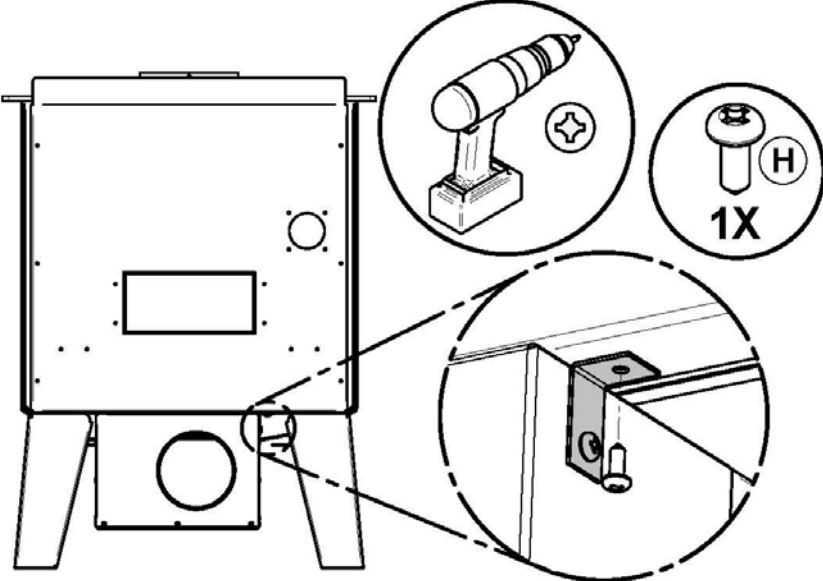
Step 5:



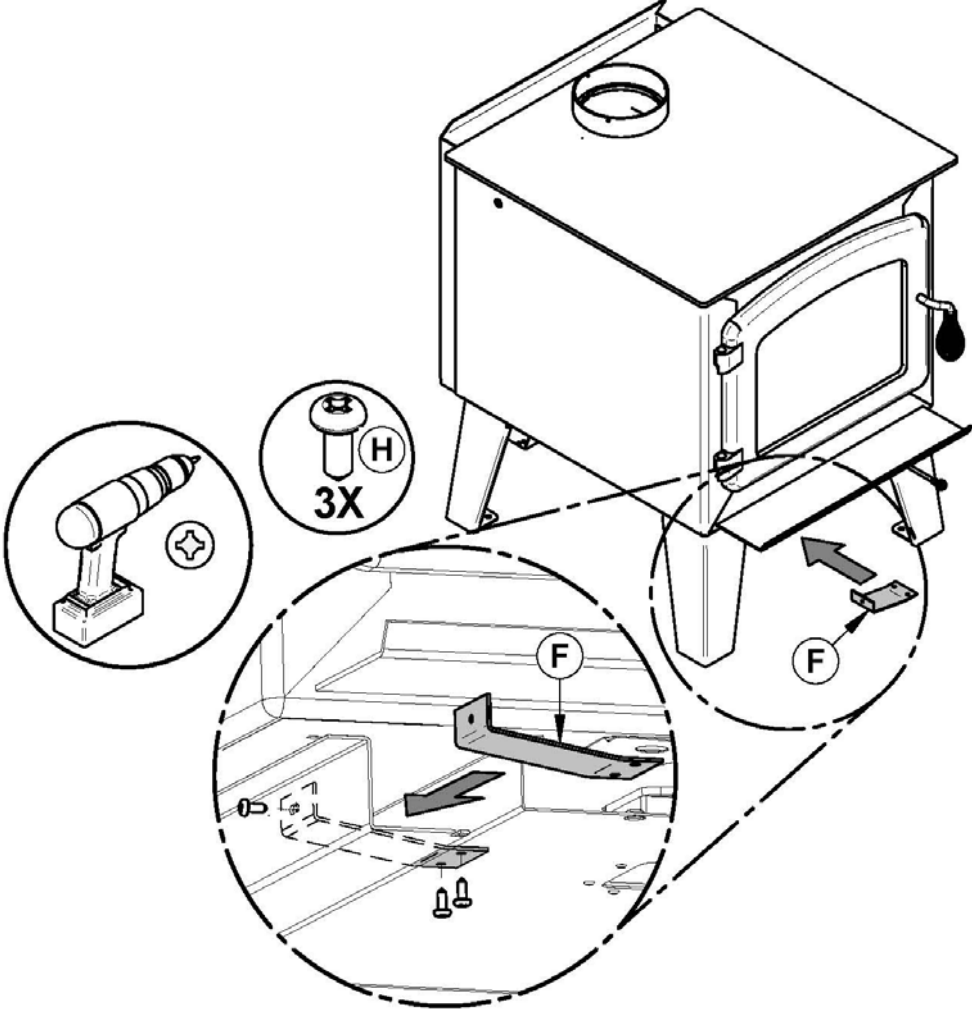
Step 6:



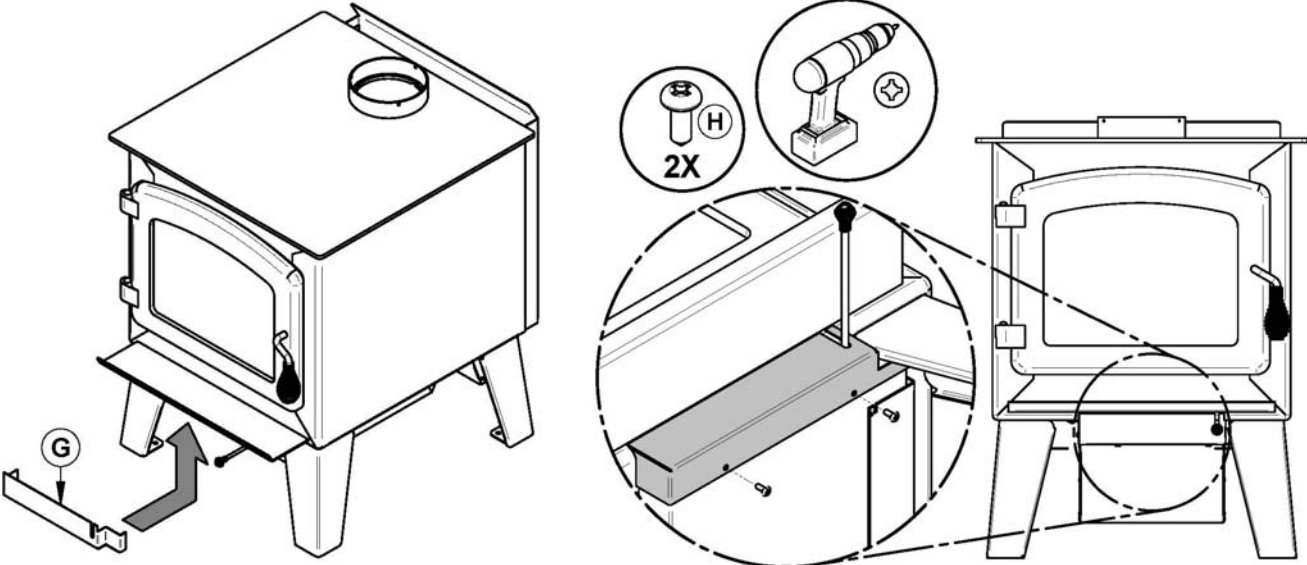
Step 7:



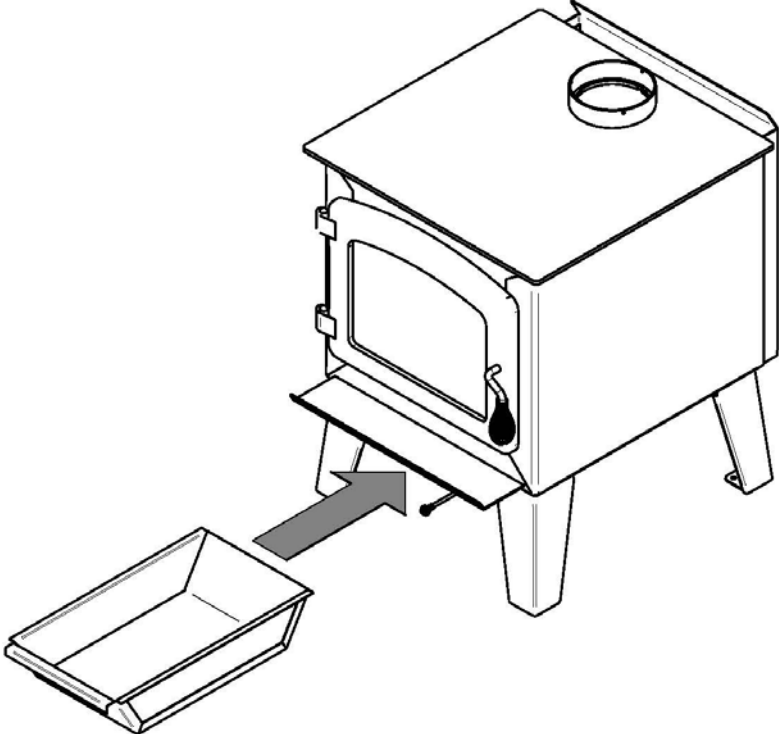
Step 8:



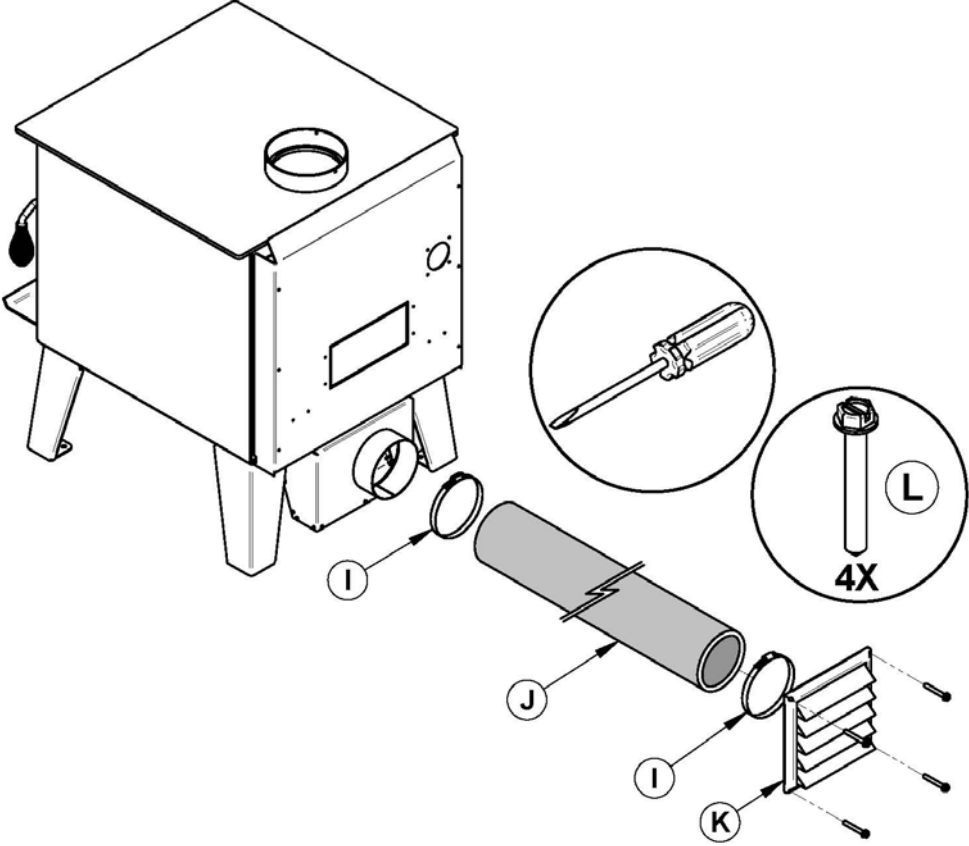
Step 9:



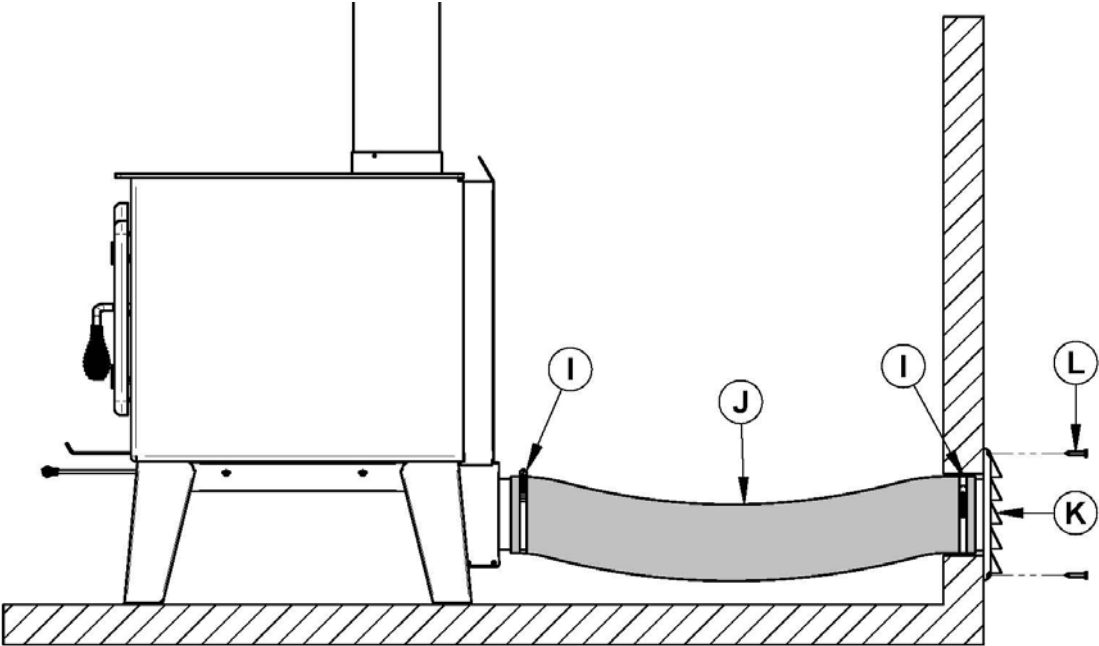
Step 10:



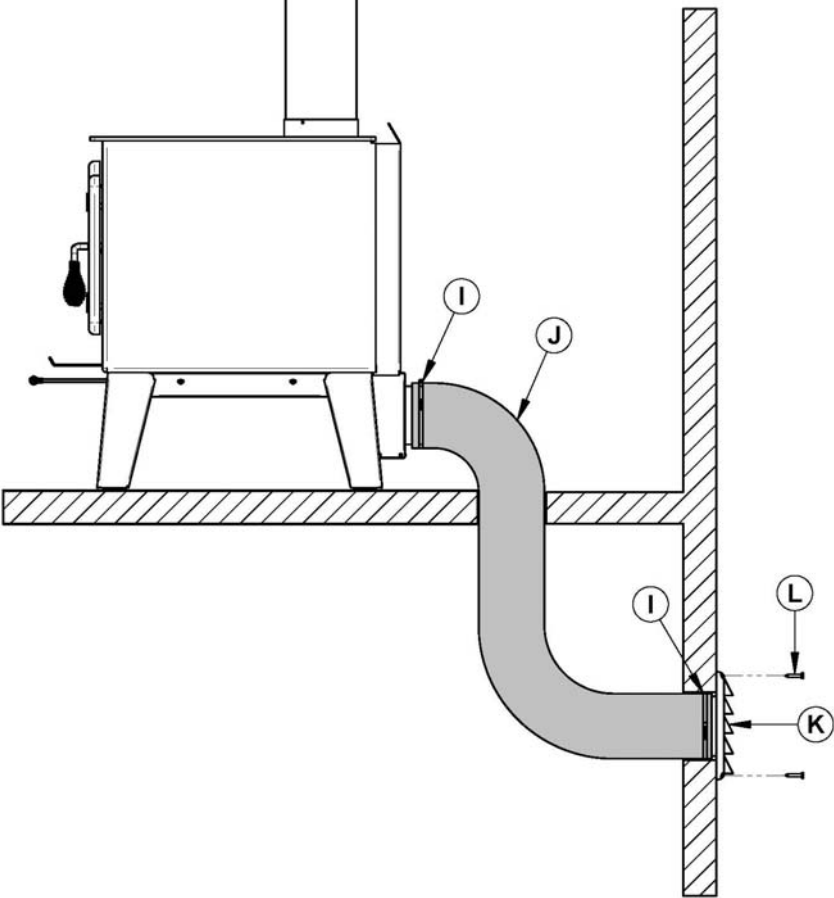
Step 11:



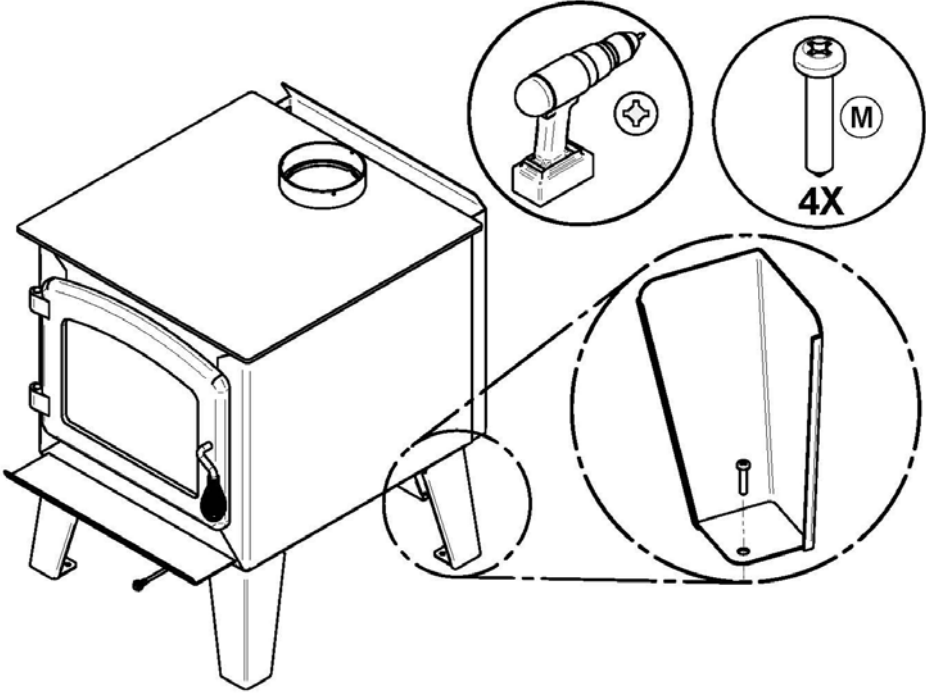
Suggestion A:



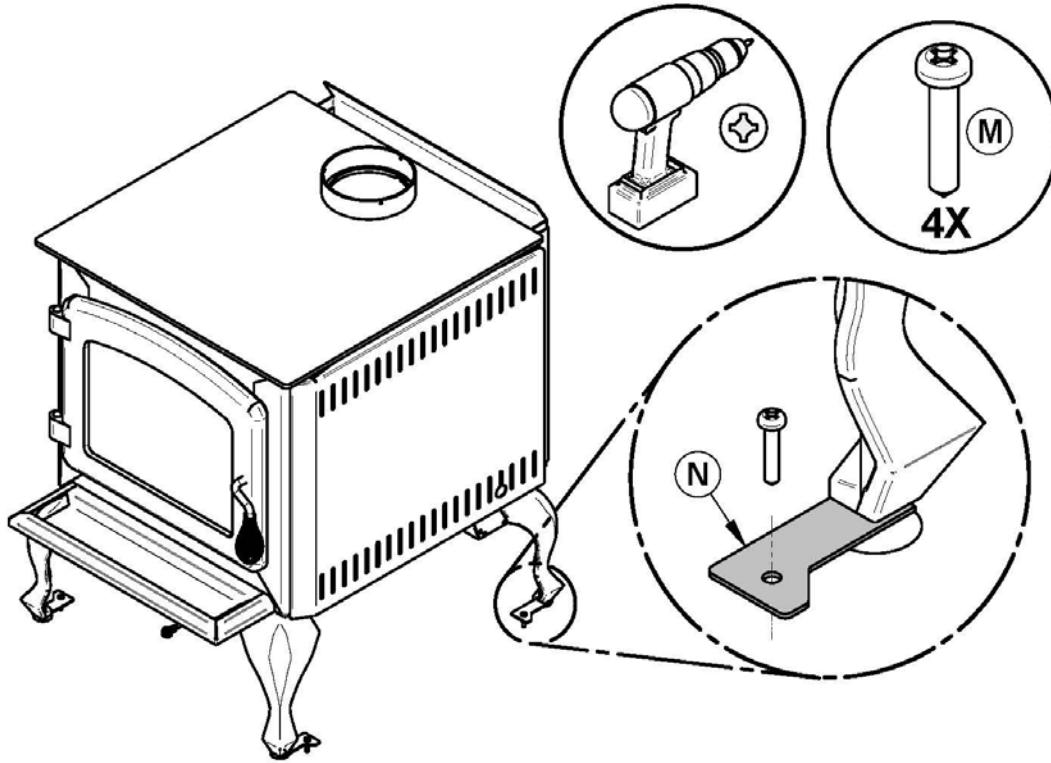
Suggestion B:



**Step 12:
Model A:**



Model B:



STOVE BUILDER INTERNATIONAL INC.
250, de Copenhague, Saint-Augustin-de-Desmaures
(Quebec), Canada G3A 2H3
Tel.: (418) 878-3040
Fax: (418) 878-3001