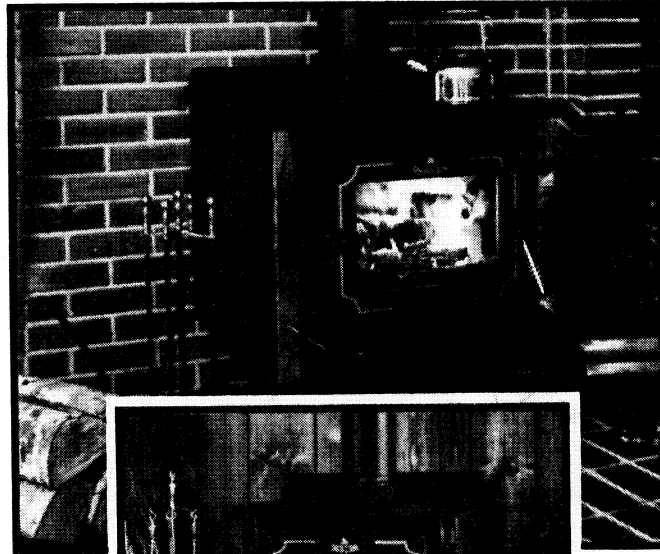


# O·W·N·E·R'·S M·A·N·U·A·L

---



**REGENT 1000**  
**REGENT 1500**



**INSTALLATION**  
**OPERATION**  
**MAINTENANCE**

## GENERAL INFORMATION

1. SAFETY NOTICE: If this unit is not properly installed, a house fire may result. For your safety, follow the installation instructions. Read all instructions before beginning and SAVE THESE INSTRUCTIONS FOR FUTURE REFERENCE.
2. The Osburn Regent 1000 and 1500 have been tested to the Canadian standard CSA B366.2/ULC S627 and the American standard UL 1482 to provide you with years of safe, comfortable use.
3. The chimney must extend at least 910mm (3') above the roof and 610mm (2') above the highest point within 3m (10') of the chimney.
4. Suitable and certified for installation in mobile homes when all of these instructions are complied with.

## INSTALLATION INSTRUCTIONS

1. The hearth should cover an area extending at least 150mm (6") beyond each side of the stove and 460mm (18") in front of the pedestal base. Where the stove is to be installed on top of a combustible floor (i.e., wood) the floor must be protected by a non-combustible material. Refer to Appendix A for dimensions.
2. The stove should be placed so that the minimum clearance to combustibles is as follows (Refer to Appendix A)

### REGENT 1000

(a) Using C vent smoke pipe:

	Measured from stove	Measured from connector
Sidewall A	405mm (16")	D 635mm (25")
Backwall B	305mm (12")	E 460mm (18")
Corner C	205mm (8")	F 485mm (19")

(b) Using C vent smoke pipe with pipe shields (see Appendix C):

	Measured from stove	Measured from connector
Sidewall A	355mm (14")	D 585mm (23")
Backwall B	125mm (5")	E 280mm (11")
Corner C	205mm (8")	F 485mm (19")

(c) Mobile home installation using insulated pipe:

	Measured from stove	Measured from chimney
Sidewall A	355mm (14")	D 560mm (22")
Backwall B	75mm (3")	E 205mm (8")
Corner C	205mm (8")	F 460mm (18")

(d) Mobile home installation using double-wall pipe:

	Measured from stove	Measured from connector
Sidewall A	355mm (14")	D 585mm (23")
Backwall B	150mm (6")	E 305mm (12")
Corner C	205mm (8")	F 485mm (19")

### REGENT 1500

(a) Using C vent smoke pipe:

	Measured from stove	Measured from connector
Sidewall A	330mm (13")	D 585mm (23")
Backwall B	305mm (12")	E 460mm (18")
Corner C	150mm (6")	F 460mm (18")

(b) Using C vent smoke pipe with pipe shields (see Appendix C):

	Measured from stove	Measured from connector
Sidewall A	230mm (9")	D 485mm (19")
Backwall B	50mm (2")	E 205mm (8")
Corner C	75mm (3")	F 405mm (16")

(c) Mobile home installation using insulated pipe:

	Measured from stove	Measured from chimney
Sidewall A	230mm (9")	D 485mm (19")
Backwall B	50mm (2")	E 205mm (8")
Corner C	100mm (4")	F 430mm (17")

(d) Mobile home installation using double-wall pipe:

	Measured from stove	Measured from connector
Sidewall A	230mm (9")	D 505mm (20")
Backwall B	150mm (6")	E 305mm (12")
Corner C	150mm (6")	F 305mm (12")

Where lesser clearances are desired, consult your local authority as regulations may vary regarding the use of clearance reducing devices. NOTE: THE SPACE HEATER IS NOT TO BE CONNECTED TO ANY AIR DISTRIBUTION DUCT. NOTE: If fan is to be installed at a later date, allow 125mm (5") clearance at the rear.

3. Clearances from combustibles must be a minimum of 1220mm (48") from the top of the stove.

## INSTALLATION OPERATION MAINTENANCE

4. Outside air for combustion may be provided on residential installations and must be provided on mobile home installations by cutting a hole 125mm (5") in diameter in the floor and the hearth pad, and venting it to the outside. If a vapour barrier is present, staple it to the inside of the 125mm (5") diameter hole. The vent should have a 6mm (1/4") wire mesh cover over the opening to act as a rodent guard. Using fiberglass insulation, cut a square piece 560mm (22") x 405mm (16") - REGENT 1000; 610mm (24") x 460mm (18") - REGENT 1500. Then cut the centre out, leaving a 75mm (3") border around the outside. Place the insulation on the hearth around the outside air vent and place the stove on top of the insulation. This will prevent the cold air from entering the home when the stove is not in use. **(Refer to Appendix B)**. If the outside air for combustion is not connected (residential only) ensure that adequate ventilation is provided. A kit is available for mobile home installations and must be used in Canada.

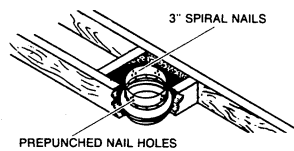
5. The stove must be connected to either a lined masonry chimney or a listed Type A chimney suitable for use with solid fuels and having a flue size of at least 150mm (6") in diameter. The chimney must be a minimum of 3700mm (12') in height from the hearth pad to the top of the chimney assembly. The stove must be connected to the chimney with a

minimum 24 gauge black or 25 gauge blue connector of 150mm (6") diameter. The chimney connector must not pass through an attic or roof space, or closet, or similar concealed space, or a floor, ceiling, wall or partition of combustible construction. When connecting to a Type A chimney, ensure that the Type A chimney is installed in an approved manner, maintaining all clearances and using all parts as required by the chimney manufacturer.

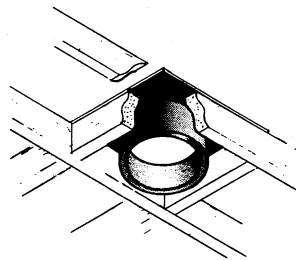
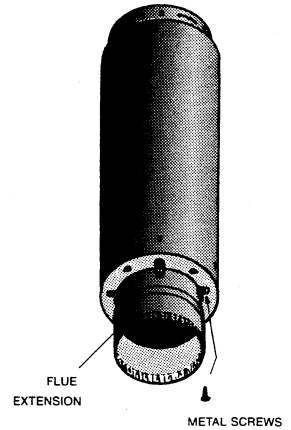
FOR MOBILE HOME INSTALLATIONS WITH SECURITY AS CHIMNEY use the manufacturer's instructions in the listed mobile home kit.

FOR MOBILE HOME INSTALLATIONS USING SECURITY DOUBLE-WALL SMOKE PIPE use the following instructions:

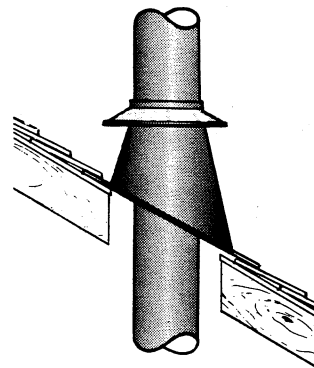
- (a) Find the location where the chimney will pass through the roof. Cut and frame the hole 365mm (14 3/8") x 365mm (14 3/8"). Staple vapour barrier in the hole.
- (b) From below, push the support into the framed hole. Nail the support to the framed box using twelve 75mm (3") spiral nails.



- (c) Attach the flue extension (found in the support box) to the bottom of the first length of chimney using the three metal screws provided. Put this chimney length in the support. Push it down firmly in place. NOTE: The visible coupling must be on top.



- (d) From above install a double collar radiation shield.
- (e) Put the vented roof flashing in place. Seal the joint between the roof and the flashing with roofing pitch. For sloping roofs, place the flashing under the upper shingles and on top of the lower shingles. Nail the

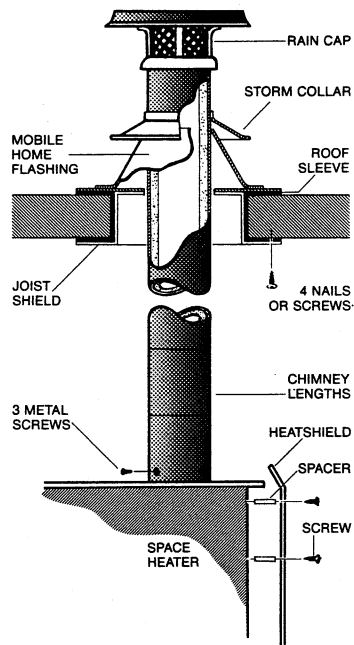


- flashing to the roof using roofing nails. Place the storm collar over the chimney and the flashing. Tighten it with the bolt supplied making sure that the joint is properly caulked.
- (f) Fit the spark arrestor raincap to the top of the chimney. Secure it tightly in place.

- (g) Wash the roof flashing with a solvent or vinegar, then paint it with rust-proof paint.
- (h) From below place the double-wall pipe in the stove flue. Extend the pipe until it comes in contact with the ceiling support and so that the pipe connector attached to the bottom of the insulated pipe goes inside the double wall pipe. Tighten the locking band to hold it in place.

FOR MOBILE HOME INSTALLATIONS WITH SELKIRK CHIMNEY use the following installation instructions:

- (a) Find the location where the chimney will pass through the roof. Cut and frame the hole. Staple the vapour barrier under the roof sleeve.
  - chimney size 150mm (6") - hole size 305mm (12") x 305mm (12")
- (b) Install roof sleeve from above (see diagram).
- (c) From below install the joist shield in this hole. Fasten it in place using four 50mm (2") nails or 25mm (1") screws.
- (d) Install the first chimney section on the stove. Fasten it securely to the stove using three metal screws.
- (e) Stack on the next length. Be sure that the male and female threads are not in line when putting the lengths together. Turn the top chimney section clockwise to lock it in place. Continue until the chimney is a minimum of 910mm (3') above the roof.
- (f) Place the flashing supplied on top of the roof. Nail the flashing to the roof using roofing nails. Seal the joint between the flashing and the roof with roofing compound. Seal nail heads.
- (g) Place the storm collar over the flashing and chimney. Seal the joint between the collar and chimney with silicon caulking.



- (h) Fit the roundtop raincap with the spark screen to the top of the chimney.

**CAUTION**  
DO NOT fill the framed space around the chimney with insulation or any other material. Insulation placed in this area could cause adjacent combustibles to overheat.  
DO NOT CONNECT THIS UNIT TO A CHIMNEY FLUE SERVING ANOTHER APPLIANCE.  
DO NOT MAKE MAKESHIFT COMPROMISES DURING INSTALLATION AS THEY COULD BE DANGEROUS.

6. Units installed in a mobile home must be fastened to the floor. This is done by removing the two plugs on the pedestal base and using 10mm (3/8") x 85mm (3 1/2") lag bolts to secure it to the floor.  
**CAUTION: THE STRUCTURAL INTEGRITY OF THE MOBILE HOME FLOOR, WALL, CEILING/ROOF MUST BE MAINTAINED. WARNING: DO NOT INSTALL IN A SLEEPING ROOM.**
7. For mobile home installation in the United States only, the stove must be grounded to the frame of the mobile using a #8 ground wire with the approved terminations and star washers.
8. To mount the optional fan, use the four bolts and washers supplied with the fan. Line the flange of the fan outlet up with the hole provided on the rear of the stove at the base of the air jacket. With the washers on the bolts, start all four, and then tighten securely.

## OPERATING INSTRUCTIONS

1. Ensure that the protective plastic covering is removed from the decorator trim before using.
2. The Regent 1000 and 1500 are designed to burn wood or charcoal. THIS UNIT IS NOT DESIGNED TO BURN COAL. DO NOT ELEVATE THE FIRE BY MEANS OF GRATES. To light a fire, place crumpled paper on the bottom. Place kindling on top of the paper and lay larger pieces on top of the kindling. Open the draft control by pulling the handle on the side of the pedestal to the right. NEVER USE GASOLINE TYPE LANTERN FUEL, KEROSENE, CHARCOAL LIGHTER FLUID, OR SIMILAR LIQUIDS TO START OR "FRESHEN" A FIRE IN THE STOVE.
3. Ensure that the room is well-ventilated when using the stove for the first few times as the paint may give off an odour and smoke. This is caused by the heat of the fire curing the paint. Once the paint is cured, this will stop.
4. Light a fire at the bottom of the crumpled paper. Close the door and allow the kindling to burn with the draft control fully open. After 30 minutes, or when the fire is well-established, adjust the draft control

to the desired setting. A small intense fire is preferable to a large smouldering one (to reduce the amount of creosote produced). Ensure that adequate ventilation is provided to prevent room air depletion on installations not requiring or using outside air for combustion. (See installation instructions paragraph 4.)

5. On installations utilizing outside combustion air, be on guard for the possibility of the air intake becoming iced over, or otherwise clogged or restricted. This can be detected by the almost immediate smothering effect of closing the door when burning kindling or the draft control becomes ineffective on flame adjustment (door closed). Keep the air duct clear of obstacles and ensure that rodent/bird guards are in place. Smoke detectors should not be affected if the stove is installed and operated properly. When optional air fan is used on the stove, the supply cord should be routed as close to the floor as practical and outside the hearth and wall clearances as established in the installation instructions

paragraphs 1 and 2. Clean the fan air inlet screen regularly by vacuuming - DO NOT DISASSEMBLE. The fan is to be plugged into a standard 3-prong wall convenience outlet of 110-120 V.A.C. and fused for a maximum of 15 amps capacity.

6. Ashes should be removed frequently. If the ashes are allowed to build up too much in the bottom of the stove, they will block the lower draft ports in the combustion deflector and hinder the performance of the stove. Keep the ports clear of ashes for best results. Ashes should be placed in a metal container with a tightly fitting lid. The closed container of ashes should be placed on a non-combustible floor, or on the ground, well away from all combustible materials pending final disposal. If the ashes are disposed of by burial in soil or otherwise locally dispersed, they should be retained in the closed container until all cinders have thoroughly cooled. Do not place other waste materials in this container.
7. FUEL FOR THE STOVE MUST NOT BE STORED CLOSER THAN THE REQUIRED

## OPERATION MAINTENANCE

**CLEARANCES TO COMBUSTIBLES, OR IN THE SPACE REQUIRED FOR CHARGING AND ASH REMOVAL.**

8. The stove must be connected to a chimney type suitable for solid fuel and it, and the flue pipe, maintained in good condition and kept clean. The stove should be cleaned frequently so that soot, creosote and ash do not accumulate.

**9. CREOSOTE - Formation and Need for Removal**

When wood is burned slowly, it produces tar and other organic vapours, which combine with expelled moisture to form creosote. The creosote vapours condense in the relatively cool chimney flue of a slow-burning fire. As a result, creosote residue accumulates on the flue lining. When ignited, this creosote makes an extremely hot fire.

The chimney connector and chimney should be inspected at least once every two months during the heating season to determine if a creosote build-up has occurred. If creosote has accumulated, it should be removed to reduce the risk of chimney fire. Contact your local municipal, state or provincial authority for information on how to handle a chimney fire.

10. The door must be kept closed during operation with the exception of brief openings to add fuel. The door seal must be in good condition to maintain an airtight seal with the stove body. Do not attempt to operate the stove without a door seal as overfiring can result and, under certain conditions, the products of combustion, i.e. poisonous carbon monoxide gases, could leak into the room.

11. Do not attempt to operate the stove with a broken or cracked glass as the stove could become overfired with the additional air leaked through the broken glass. If a glass requires replacement, replace only with 230mm (9") x 330mm (13") x 5mm "NEOCERAM", using the original gaskets, door screen, door screen retainers, and screws. **DO NOT SUBSTITUTE MATERIALS**, replacement parts are available from the manufacturer or local Osburn dealer. **Refer to Appendix D**

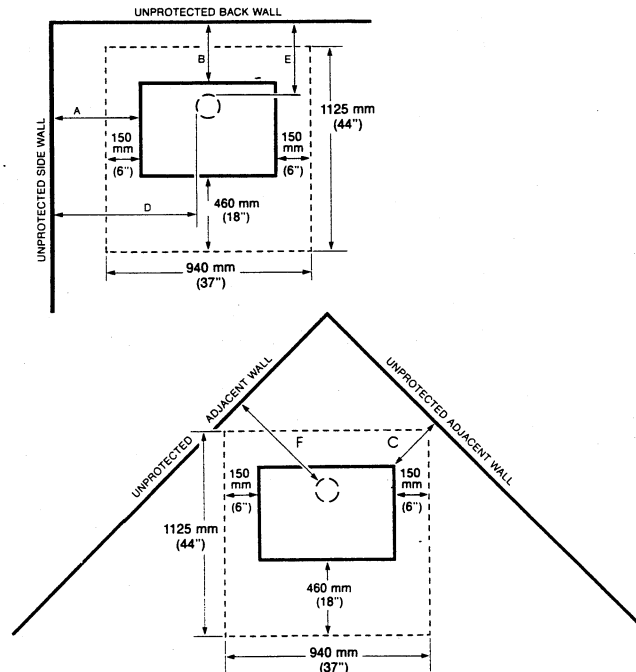
12. Glass cleaning may be required when burning damp wood and/or with slow burn rates. The glass may be self-cleaned by a "hot" fire, i.e., dry wood and the draft control wide open for 2-3 hours. If cleaning

by hand, we recommend a non-abrasive cleaner such as "Kel-Brite" glass cleaner for woodstoves and fireplaces. Do not attempt to clean the glass when the fire is going. Do not load the fuel too close to the glass door as it may contact the glass when the door is closed and break the glass, or roll or fall against it during combustion and break the glass. Do not attempt to push logs further into the fire by using the door. The glass may break if contacted by any solid object. Prudent usage should provide years of trouble-free operation. Your Osburn Regent has been designed to give you the maximum in satisfaction and performance for years to come. We hope that you enjoy it.

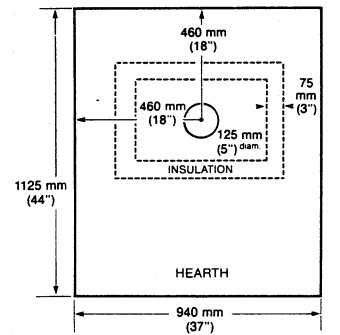


**Osburn Industries**  
6691 Miran Road,  
Victoria, B.C., Canada V8X 3X1  
Telephone: (604) 652-3963

**APPENDIX A**



**APPENDIX B**



Stove clearances to combustibles (A, B & C) measured from the top edges of the stove or rear heat shield. D,E&F are measured from connector.

CLEARANCES TO COMBUSTIBLES, OR IN THE SPACE REQUIRED FOR CHARGING AND ASH REMOVAL.

8. The stove must be connected to a chimney type suitable for solid fuel and it, and the flue pipe, maintained in good condition and kept clean. The stove should be cleaned frequently so that soot, creosote and ash do not accumulate.
9. CREOSOTE – Formation and Need for Removal  
When wood is burned slowly, it produces tar and other organic vapours, which combine with expelled moisture to form creosote. The creosote vapours condense in the relatively cool chimney flue of a slow-burning fire. As a result, creosote residue accumulates on the flue lining. When ignited, this creosote makes an extremely hot fire. The chimney connector and chimney should be inspected at least once every two months during the heating season to determine if creosote build-up has occurred. If creosote has accumulated, it should be removed to reduce the risk of chimney fire. Contact your local municipal, state or provincial authority for information on how to handle a chimney fire.

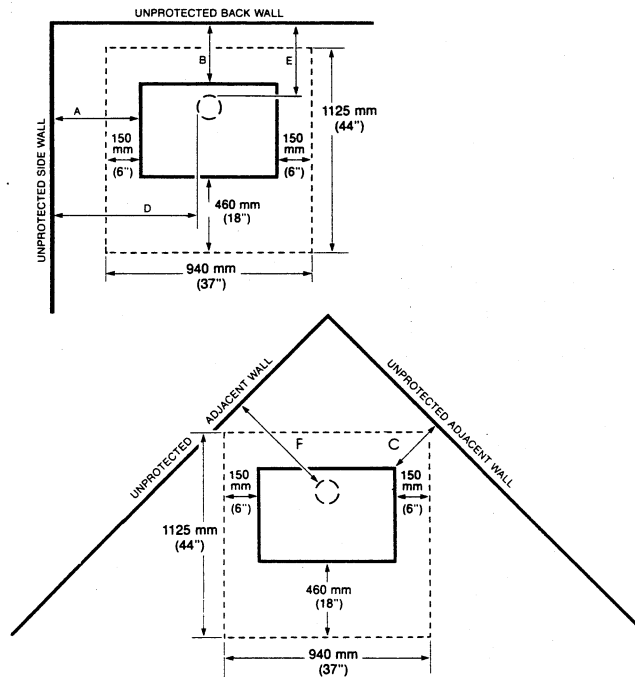
10. The door must be kept closed during operation with the exception of brief openings to add fuel. The door seal must be in good condition to maintain an airtight seal with the stove body. Do not attempt to operate the stove without a door seal as overfiring can result and, under certain conditions, the products of combustion, i.e. poisonous carbon monoxide gases, could leak into the room.
11. Do not attempt to operate the stove with a broken or cracked glass as the stove could become overfired with the additional air leaked through the broken glass. If a glass requires replacement, replace only with 230mm (9") x 330mm (13") x 5mm "NEOCERAM", using the original gaskets, door screen, door screen retainers, and screws. DO NOT SUBSTITUTE MATERIALS, replacement parts are available from the manufacturer or local Osburn dealer. **Refer to Appendix D**
12. Glass cleaning may be required when burning damp wood and/or with slow burn rates. The glass may be self-cleaned by a "hot" fire, i.e., dry wood and the draft control wide open for 2-3 hours. If cleaning

by hand, we recommend a non-abrasive cleaner such as "Kel-Brite" glass cleaner for woodstoves and fireplaces. Do not attempt to clean the glass when the fire is going. Do not load the fuel too close to the glass door as it may contact the glass when the door is closed and break the glass, or roll or fall against it during combustion and break the glass. Do not attempt to push logs further into the fire by using the door. The glass may break if contacted by any solid object. Prudent usage should provide years of trouble-free operation. Your Osburn Regent has been designed to give you the maximum in satisfaction and performance for years to come. We hope that you enjoy it.

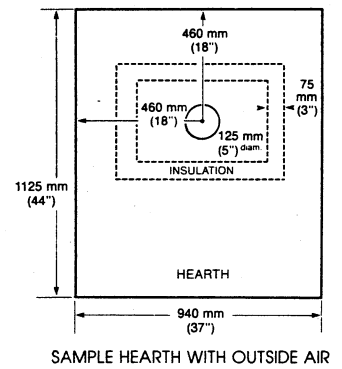


**Osburn Industries**  
6691 Mirah Road,  
Victoria, B.C., Canada V8X 3X1  
Telephone: (604) 652-3963

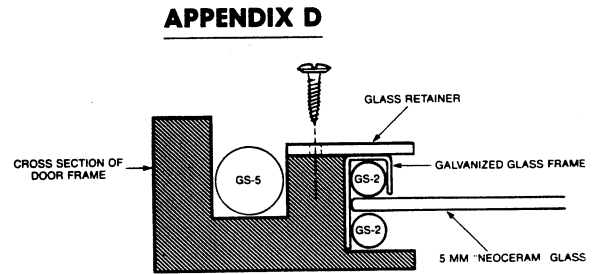
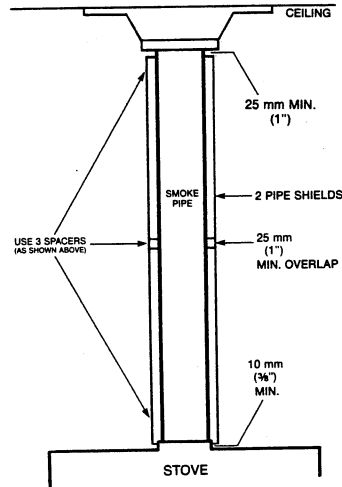
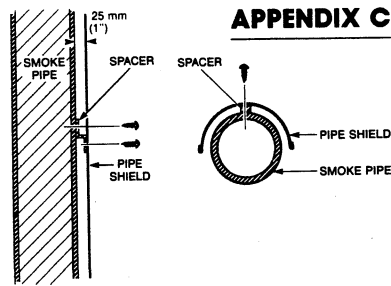
**APPENDIX A**



**APPENDIX B**



Stove clearances to combustibles (A, B & C) measured from the top edges of the stove or rear heat shield. D,E&F are measured from connector.



GS-5 20 mm (3/4") GASKET ROPE  
GS-2 10 mm (3/8") GASKET ROPE

#### REPLACEMENT OF GLASS

1. Remove door from stove by lifting off. If hinges are stiff, tap gently against the bottom of the door or use a thin oil in the hinges to loosen them.
2. Place door face downwards on a flat surface and remove the two glass retainers by undoing the screws.
3. Remove broken glass and frame and gasket from door NOTING WHERE ALL PARTS ARE INSTALLED FOR REPLACEMENT PURPOSES.
4. Lay 10 mm (3/8") gasket rope around the glass inset in the door and place new piece of glass on top of gasket rope.
5. Install 10 mm (3/8") gasket rope in galvanized glass frame and place this on top of glass with the gasket rope against the glass.
6. Replace both glass retainers and screws.
7. Turn door face upwards and push gasket rope gently back into frame so that it is evenly distributed around the frame.
8. Replace door on the stove.

## MAINTENANCE

### WOOD

Wood should be air-dried under cover for six months to a year or more. This reduces the moisture content which means better performance from the wood you burn. Wet or green wood will cause the fire to smoulder, producing large amounts of creosote build-up. It will also prove difficult to keep burning properly and often go out, as well as producing very little heat, often causing the customer to think that the stove does not work.

### SIMPLE WOOD TEST

Add one large piece of wood to the top of established fire. If it is burning on three sides within one minute, it is dry. If it turns black and starts burning in three minutes, it is damp. If it turns black and does not start burning after five minutes, it is wet, and if it hisses at any time, it is soaked and will not burn until excess moisture is boiled away.

### PROBLEM

Glass is dirty

### SOLUTION

- Use dry wood and build a hot fire. This should burn the glass clean. The glass may be cleaned when it is cold.

No heat

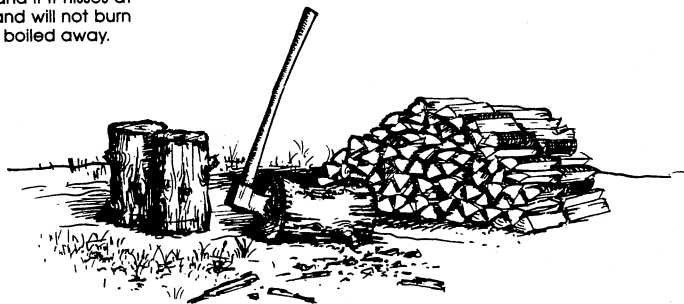
1. Build a larger fire using dry wood or try a Presto log as an alternative. Check that the draft control is open.
2. Many people find that a damper installed 12"-18" above the stove will improve its performance and reduce the creosote build-up.

Won't burn overnight

1. Close draft control until it is almost completely shut off.
2. Whole logs are preferable to split logs for overnight burn.

Smoking

1. Check that the chimney damper is open.
2. Check chimney for blockages and that it meets height and diameter requirements.



## MAINTENANCE

**CAUTION: KEEP LOADING DOOR CLOSED DURING OPERATION TO AVOID DEVELOPING EXCESSIVE TEMPERATURES.**

ICBO #  
NER-219



LISTED SPACE HEATER, SOLID FUEL TYPE  
ALSO SUITABLE FOR MOBILE HOME INSTALLATIONS  
MODEL REGENT 1000 REPORT NO. 4327 (APRIL 1985)

DO NOT REMOVE THIS LABEL

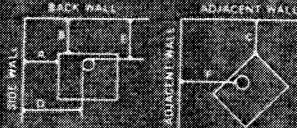
STOVES TESTED TO ULC-S627/CSA-B366 2M UL-1482

**WH-314451**

INSTALL AND USE ONLY IN ACCORDANCE WITH THE MANUFACTURER'S INSTALLATION AND OPERATING INSTRUCTIONS. CONTACT LOCAL BUILDING OR FIRE OFFICIALS ABOUT RESTRICTIONS AND INSTALLATION INSPECTION IN YOUR AREA. USE 30 MM (3/8") DIAMETER MINIMUM 25 MEG NEW YORK OR 25 MEG ILLINOIS STEEL CONNECTOR WITH LISTED FACTORY RUL CHIMNEY SUITABLE FOR USE WITH THIS MODEL OR MASSACHUSETTS CHIMNEY.  
SEE LOCAL BUILDING CODE AND MANUFACTURER'S INSTRUCTIONS FOR PRECAUTIONS REQUIRED FOR PASSING A CHIMNEY THROUGH A COMBUSTIBLE WALL OR CEILING. DO NOT PASS CHIMNEY CONNECTOR THROUGH COMBUSTIBLE WALL OR CEILING. DO NOT CONNECT THIS UNIT TO A CHIMNEY FLUE SERVING ANOTHER APPLIANCE.

RESIDENTIAL INSTALLATION			
MEASURED FROM HEATER		MEASURED FROM CONNECTOR	
SIDEWALL	A 405mm (16 IN.)	SIDEWALL	D 405mm (16 IN.)
BACKWALL	B 305mm (12 IN.)	BACKWALL	E 405mm (16 IN.)
CORNER	C 205mm (8 IN.)	CORNER	F 405mm (16 IN.)
INSTALLATION WITH FLUE SHIELDS			
SIDEWALL	A 405mm (16 IN.)	SIDEWALL	D 405mm (16 IN.)
BACKWALL	B 225mm (9 IN.)	BACKWALL	E 285mm (11 IN.)
CORNER	C 205mm (8 IN.)	CORNER	F 405mm (16 IN.)

MOBILE HOME INSTALLATION USING DOUBLE WALL CONNECTOR FOR CANADA AND THE U.S.A.			
MEASURED FROM HEATER		MEASURED FROM CHIMNEY	
SIDEWALL	A 405mm (16 IN.)	SIDEWALL	D 405mm (16 IN.)
BACKWALL	B 305mm (12 IN.)	BACKWALL	E 305mm (12 IN.)
CORNER	C 205mm (8 IN.)	CORNER	F 405mm (16 IN.)
MOBILE HOME INSTALLATION USING CLASS A CHIMNEY FOR THE U.S.A. ONLY			
SIDEWALL	A 405mm (16 IN.)	SIDEWALL	D 405mm (16 IN.)
BACKWALL	B 225mm (9 IN.)	BACKWALL	E 285mm (11 IN.)
CORNER	C 205mm (8 IN.)	CORNER	F 405mm (16 IN.)



CLEARANCES MAY BE REDUCED BY THE USE OF LISTED WALL SHIELDS OR OTHER MEANS APPROVED BY LOCAL BUILDING OR FIRE OFFICIALS. MINIMUM CLEARANCE BETWEEN VERTICAL CHIMNEY CONNECTOR AND COMBUSTIBLE MATERIALS: 455 MM (18 IN.) COMBUSTIBLE FLOOR MUST BE PROTECTED BY NON-COMBUSTIBLE MATERIAL EXTENDING BENEATH THE HEATER AND TO THE FRONT AND SIDES AS INDICATED OR TO THE NEAREST PERMITTED COMBUSTIBLE MATERIAL.

**FLOOR PROTECTION**

- (G) 455mm (18 IN.)
- (H) 750mm (30 IN.)
- (I) 150mm (6 IN.)



COMPONENTS REQUIRED FOR MOBILE HOME INSTALLATION:  
CANADA: FRESH AIR KIT AND SECURITY SHIELD CHIMNEY SYSTEM WITH SECURITY DOUBLE WALL CONNECTOR.  
U.S.A.: FRESH AIR KIT AND SECURITY SHIELD CHIMNEY SYSTEM (DOUBLE WALL CONNECTOR OPTIONAL). FRESH AIR KIT AND SECURITY SHIELD CHIMNEY SYSTEM (DOUBLE WALL CONNECTOR OPTIONAL).  
OLVER MANUFACTURED PROVENT MODEL PV LISTED CONNECTOR IN COMBINATION WITH PW-43 MODEL 3100 LISTED CHIMNEY SYSTEM COMPLETE WITH COMPONENTS AS SPECIFIED IN OSBURN INSTALLATION INSTRUCTIONS.

OPTIONAL COMPONENT: PAN.  
FOR USE WITH SOLID WOOD FUEL ONLY. USE OF OTHER FUELS MAY DAMAGE HEATER AND CREATE A HAZARDOUS CONDITION. OPERATE ONLY WITH DOOR CLOSED. OPEN FEED DOOR TO FEED FUEL ONLY. DO NOT EXT. GRATE DIRECTLY INTO FIRE. TURN FUEL OFF. FIRE DIRECTLY ON HEARTH. DO NOT OVERFIRE. IF HEATER OR CHIMNEY CONNECTOR OVERHEATS, EXT. GRATE OR FEED DOOR MUST BE KEPT CLEAN AND CHIMNEY AND CONNECTOR CLEANED FREQUENTLY. UNDER CERTAIN CONDITIONS OF USE, CREOSOTE BUILD-UP MAY OCCUR. KEEP FURNISHINGS AND OTHER COMBUSTIBLE MATERIAL AWAY FROM HEATER. REPLACE GLASS ONLY WITH 1/4" AMM. GLASS. ELECTRICAL RATING: 110 VOLTS, 15 AMPS, 30 W. DO NOT ROUTE POWER CORD BENEATH HEATER.

MANUFACTURED BY:



OSBURN MANUFACTURING INC.

555 ARDERSIER ROAD, VICTORIA, B.C. V8Z 1C8 MADE IN CANADA

HOT WHILE IN OPERATION. DO NOT TOUCH. KEEP CHILDREN, CLOTHING AND FURNITURE AWAY. CONTACT MAY CAUSE SKIN BURNS. READ NAMEPLATE AND INSTRUCTIONS.

DO NOT OVERFIRE - IF HEATER OR CHIMNEY CONNECTOR GLOWS, YOU ARE OVERFIRING. FOR USE WITH SOLID WOOD FUEL ONLY. INSPECT AND CLEAN CHIMNEY AND CONNECTOR FREQUENTLY UNDER CERTAIN CONDITIONS OF USE. CREOSOTE BUILD-UP MAY OCCUR RAPIDLY. DO NOT USE GRATE OR ELEVATE FIRE - BUILD DIRECTLY ON HEARTH.



**CAUTION: KEEP LOADING DOOR CLOSED DURING OPERATION TO AVOID DEVELOPING EXCESSIVE TEMPERATURES.**



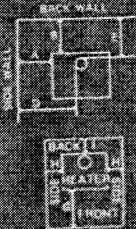
**LISTED SPACE HEATER SOLID FUEL TYPE  
ALSO SUITABLE FOR MOBILE HOME INSTALLATIONS**  
MODEL REGENT 1500 REPORT NO. 383 APRIL 1981  
TESTED TO CSA B149.2/ULC 1427/UL 1427

**WH- 410001**

INSTALL AND USE ONLY IN ACCORDANCE WITH THE MANUFACTURER'S INSTALLATION AND OPERATING INSTRUCTIONS. CONTACT LOCAL BUILDING OR FIRE OFFICIALS ABOUT RESTRICTIONS AND INSTALLATION INSPECTION IN YOUR AREA. USE 150 MM (6 IN.) DIAMETER MINIMUM 24 MSG BLACK OR 20 MSG BLUE STEEL CONNECTOR WITH LISTED FACTORY-BUILT CHIMNEY. SUITABLE FOR USE WITH SOLID FUELS OR MASONRY CHIMNEY. SEE LOCAL BUILDING CODE AND MANUFACTURER'S INSTRUCTIONS FOR PRECAUTIONS REQUIRED FOR PASSING A CHIMNEY THROUGH A COMBUSTIBLE WALL OR CEILING. DO NOT PASS CHIMNEY CONNECTOR THROUGH COMBUSTIBLE WALL OR CEILING. DO NOT CONNECT THIS UNIT TO A CHIMNEY FLUE SERVING ANOTHER APPLIANCE.

RESIDENTIAL INSTALLATION	
MEASURED FROM HEATER	MEASURED FROM CONNECTOR
SIDEWALL A 330 MM (13 IN.)	SIDEWALL D 585 MM (23 IN.)
BACKWALL B 305 MM (12 IN.)	BACKWALL E 460 MM (18 IN.)
CORNER C 150 MM (6 IN.)	CORNER F 405 MM (16 IN.)
INSTALLATION WITH FLUE SHIELDS	
SIDEWALL A 230 MM (9 IN.)	SIDEWALL D 485 MM (19 IN.)
BACKWALL B 50 MM (2 IN.)	BACKWALL E 205 MM (8 IN.)
CORNER C 75 MM (3 IN.)	CORNER F 360 MM (14 IN.)

MOBILE HOME INSTALLATION USING DOUBLE WALL CONNECTOR FOR CANADA & U.S.A.	
MEASURED FROM HEATER	MEASURED FROM CHIMNEY
SIDEWALL A 230 MM (9 IN.)	SIDEWALL D 485 MM (19 IN.)
BACKWALL B 150 MM (6 IN.)	BACKWALL E 305 MM (12 IN.)
CORNER C 150 MM (6 IN.)	CORNER F 405 MM (16 IN.)
MOBILE HOME INSTALLATION WITH GLASS AT CHIMNEY FOR U.S.A. ONLY	
SIDEWALL A 230 MM (9 IN.)	SIDEWALL D 460 MM (18 IN.)
BACKWALL B 50 MM (2 IN.)	BACKWALL E 175 MM (7 IN.)
CORNER C 100 MM (4 IN.)	CORNER F 405 MM (16 IN.)



MINIMUM CLEARANCE BETWEEN VERTICAL CHIMNEY CONNECTOR AND COMBUSTIBLE MATERIALS 460 MM (18 IN.). COMBUSTIBLE FLOOR MUST BE PROTECTED BY NON-COMBUSTIBLE MATERIAL EXTENDING BENEATH THE HEATER AND TO THE FRONT AND SIDES AS INDICATED OR THE NEAREST PERMITTED COMBUSTIBLE MATERIAL: G 405 MM (16 IN.), H 150 MM (6 IN.), I 150 MM (6 IN.)

FOR USE WITH SOLID WOOD FUEL ONLY. USE OF OTHER FUELS MAY DAMAGE HEATER AND CREATE A HAZARDOUS CONDITION. OPERATE ONLY WITH DOOR CLOSED. OPEN FEED DOOR TO FEED FIRE ONLY. DO NOT OBSTRUCT COMBUSTION AIR OPENINGS. KEEP FURNISHINGS AND OTHER COMBUSTIBLE MATERIAL AWAY FROM HEATER. REPLACE GLASS ONLY WITH CERAMIC GLASS.  
ELECTRICAL RATING 110 VOLTS, 1.3 AMPS, 60 HZ. DO NOT ROUTE POWER CORD BENEATH HEATER.



**OSBURN MANUFACTURING INC.**  
555 ARDERSIER ROAD, VICTORIA, B.C. V8Z 1C8

MADE IN CANADA

**HOT WHILE IN OPERATION. DO NOT TOUCH. KEEP CHILDREN, CLOTHING AND FURNITURE AWAY. CONTACT MAY CAUSE SKIN BURNS. READ NAMEPLATE AND INSTRUCTIONS.**

**DO NOT OVERFIRE - IF HEATER OR CHIMNEY CONNECTOR GLOWS, YOU ARE OVERFIRING. FOR USE WITH SOLID WOOD FUEL ONLY. INSPECT AND CLEAN CHIMNEY AND CONNECTOR FREQUENTLY. UNDER CERTAIN CONDITIONS OF USE, CREOSOTE BUILD-UP MAY OCCUR RAPIDLY. DO NOT USE GRATE OR ELEVATE FIRE - BUILD DIRECTLY ON HEARTH.**