

<h1>HOW TO REPLACE THE CONVECTION BLOWER</h1>	Document #		Model Name and Number		
	HT00150A		OSBURN 3000		
	Document Version		Serial Number		Date
	1.0		100	to	...

**WARNING**

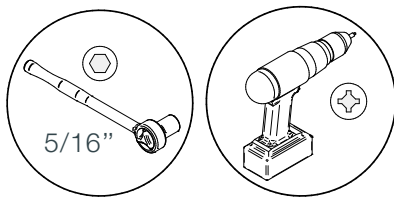
**NEVER MANIPULATE OR REPLACE A COMPONENT WHEN THE STOVE IS HOT.**

**DANGER**

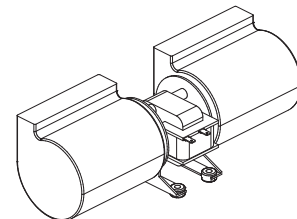
**DISCONNECT ALL SOURCE OF POWER BEFORE MANIPULATING OR REPLACING A COMPONENT.**

For part numbers visit our web site <https://www.osburn-mfg.com/en/replacement-parts/>  
 For more information, contact us at 418-908-8002 or by email at [tech@sbi-international.com](mailto:tech@sbi-international.com)

TOOL(S) REQUIRED :

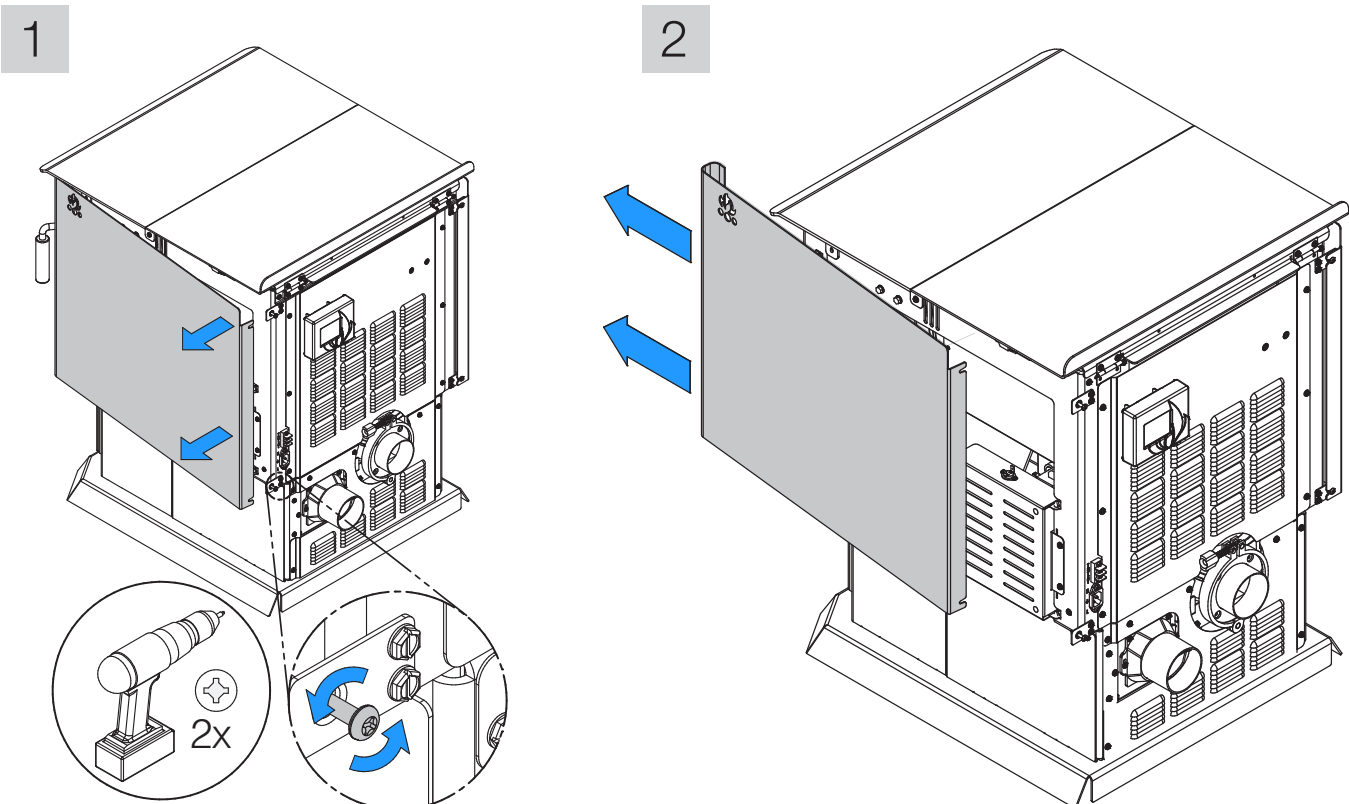


PART(S) REQUIRED :

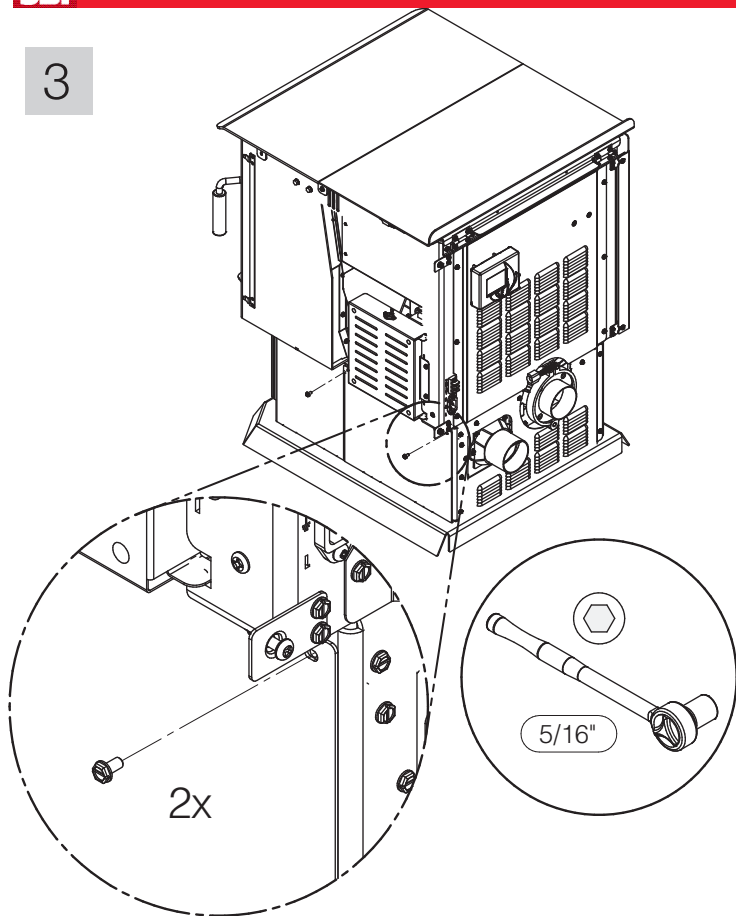


Convection blower

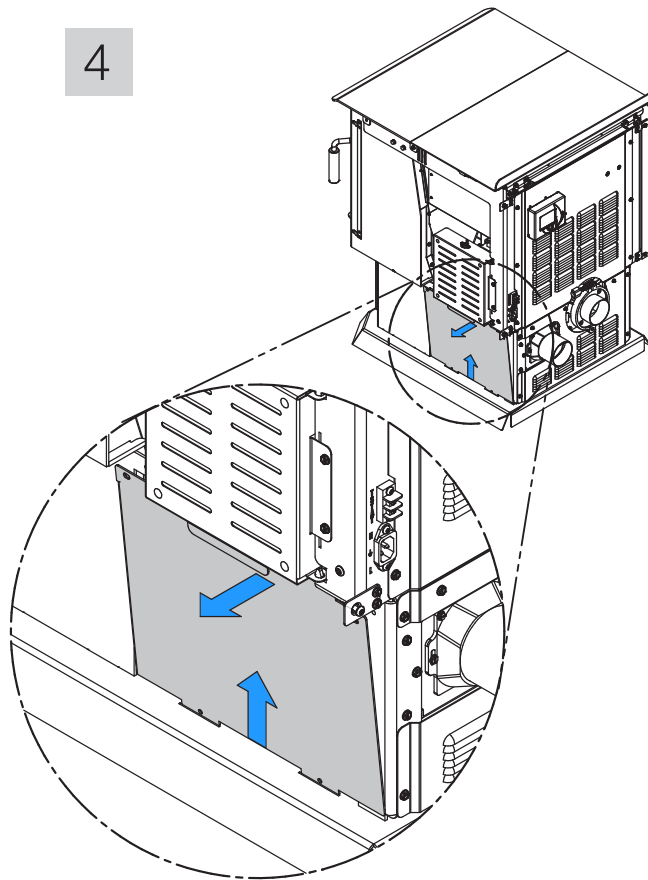
PROCEDURE :



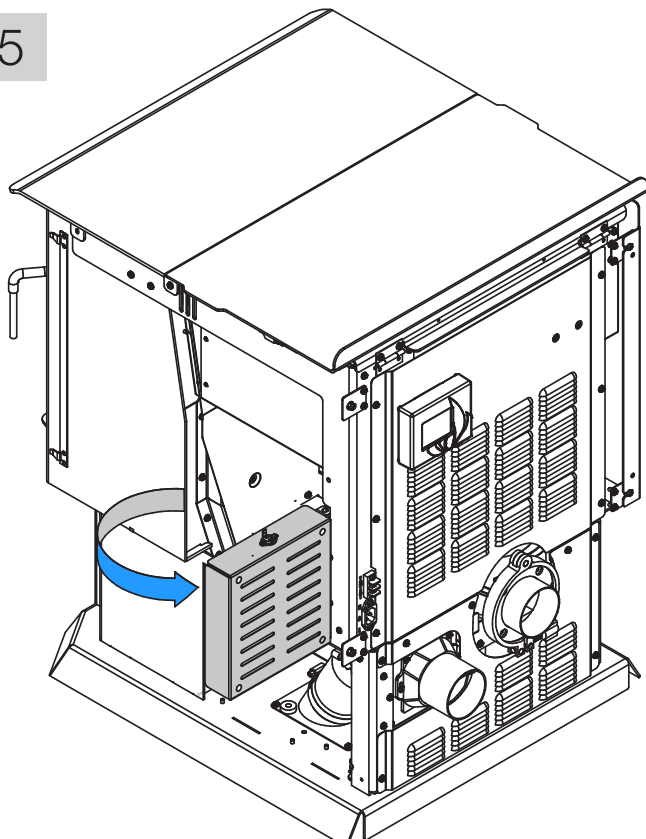
3



4



5



6

