

| | | | | | |
|--|------------------|--|-----------------------|----|------|
| <h1>HOW TO REPLACE THE EXHAUST BLOWER</h1> | Document # | | Model Name and Number | | |
| | HT00149A | | OSBURN 3000 | | |
| | Document Version | | Serial Number | | Date |
| | 1.0 | | 100 | to | ... |

WARNING

NEVER MANIPULATE OR REPLACE A COMPONENT WHEN THE STOVE IS HOT.

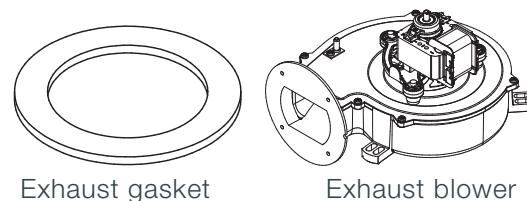
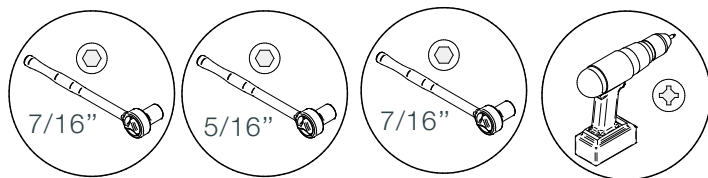
DANGER

DISCONNECT ALL SOURCE OF POWER BEFORE MANIPULATING OR REPLACING A COMPONENT.

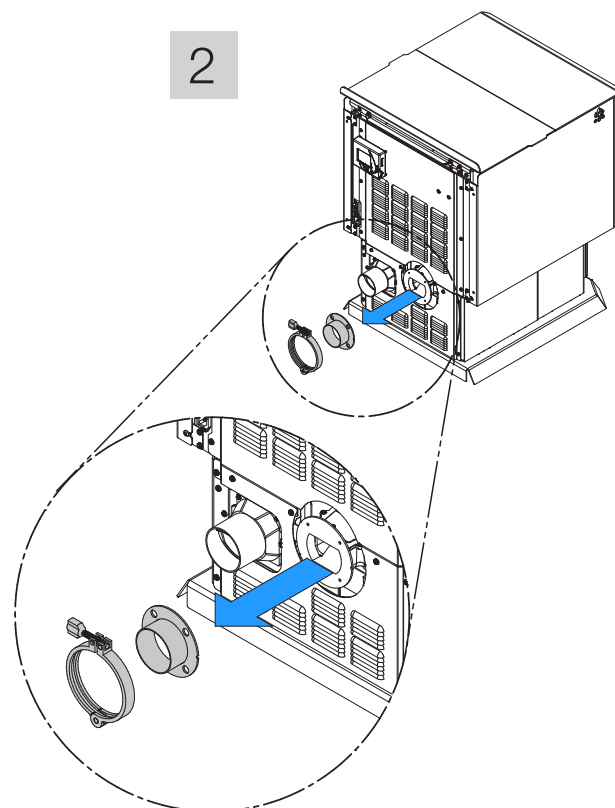
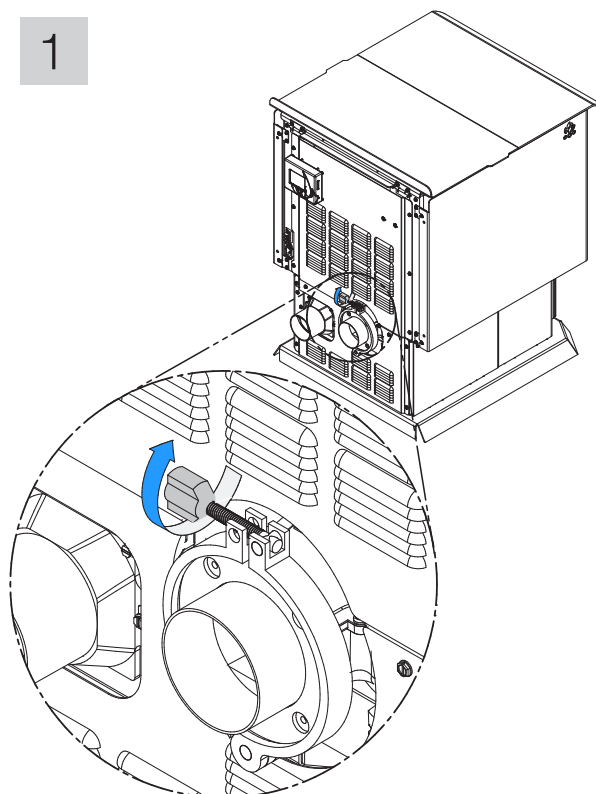
For part numbers visit our web site <https://www.osburn-mfg.com/en/replacement-parts/>
 For more information, contact us at 418-908-8002 or by email at tech@sbi-international.com

TOOL(S) REQUIRED :

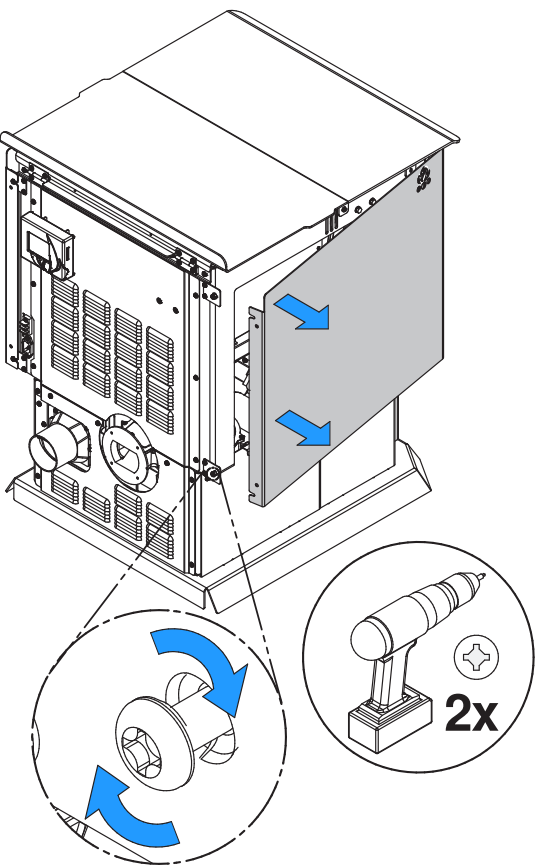
PART(S) REQUIRED :



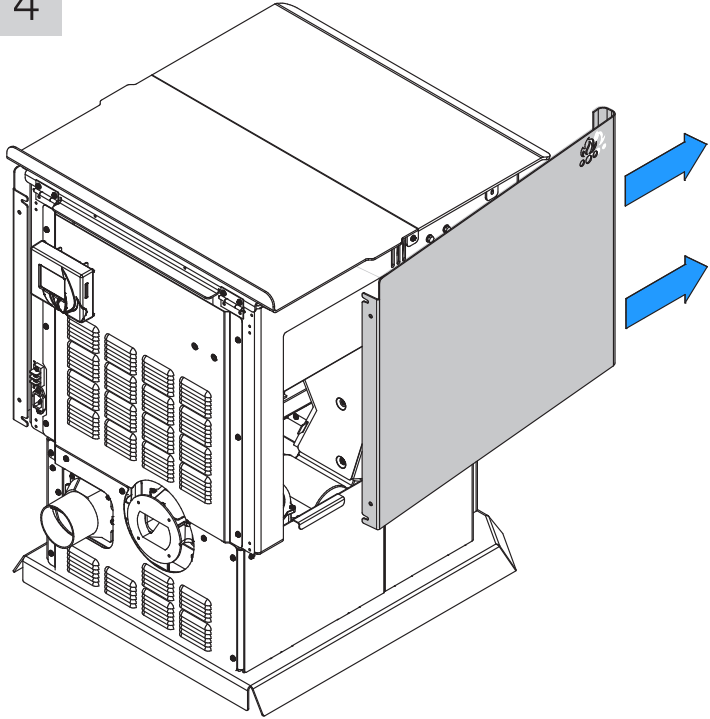
PROCEDURE :



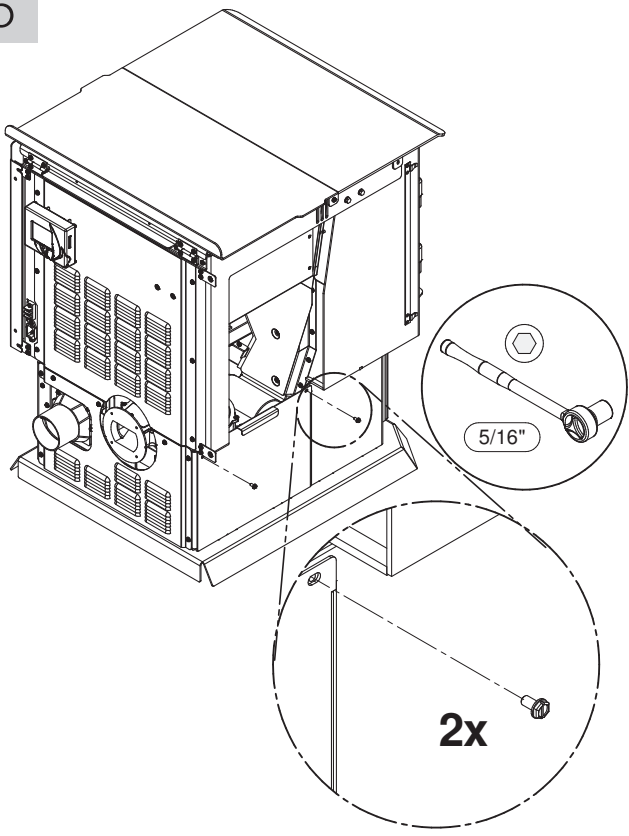
3



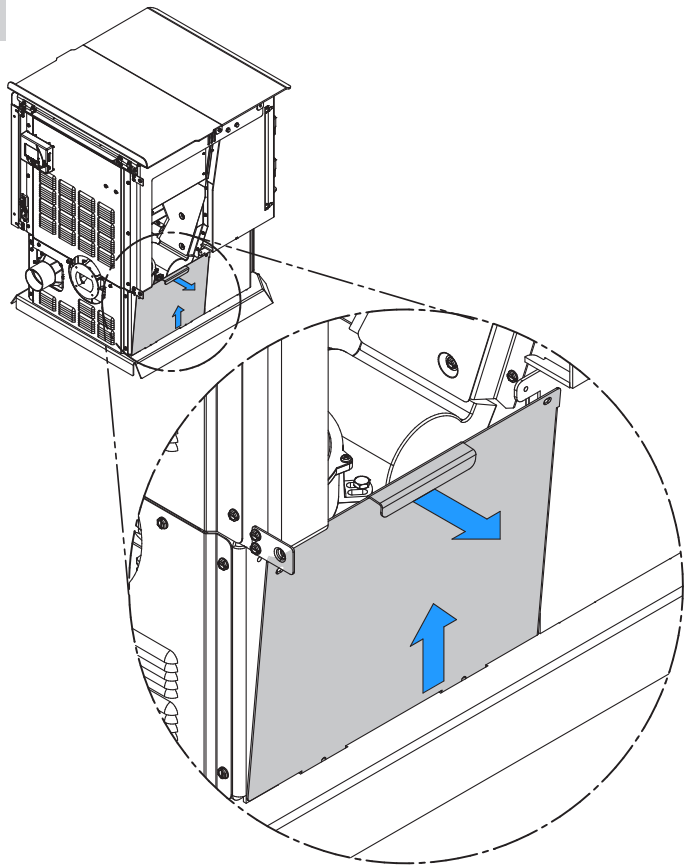
4



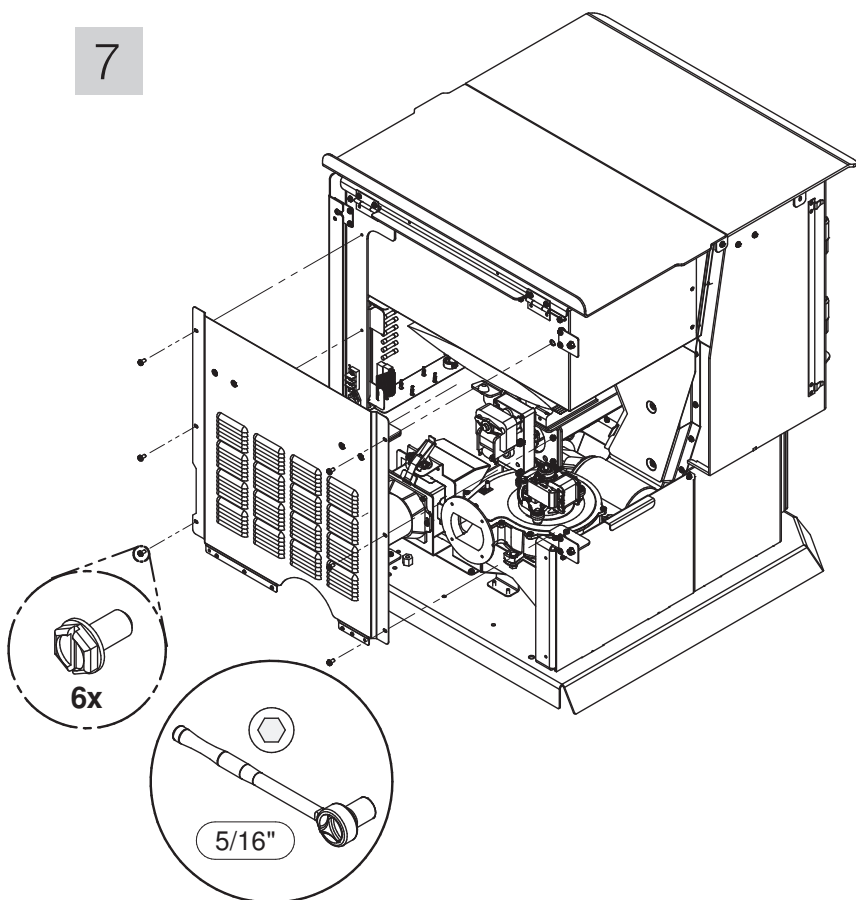
5



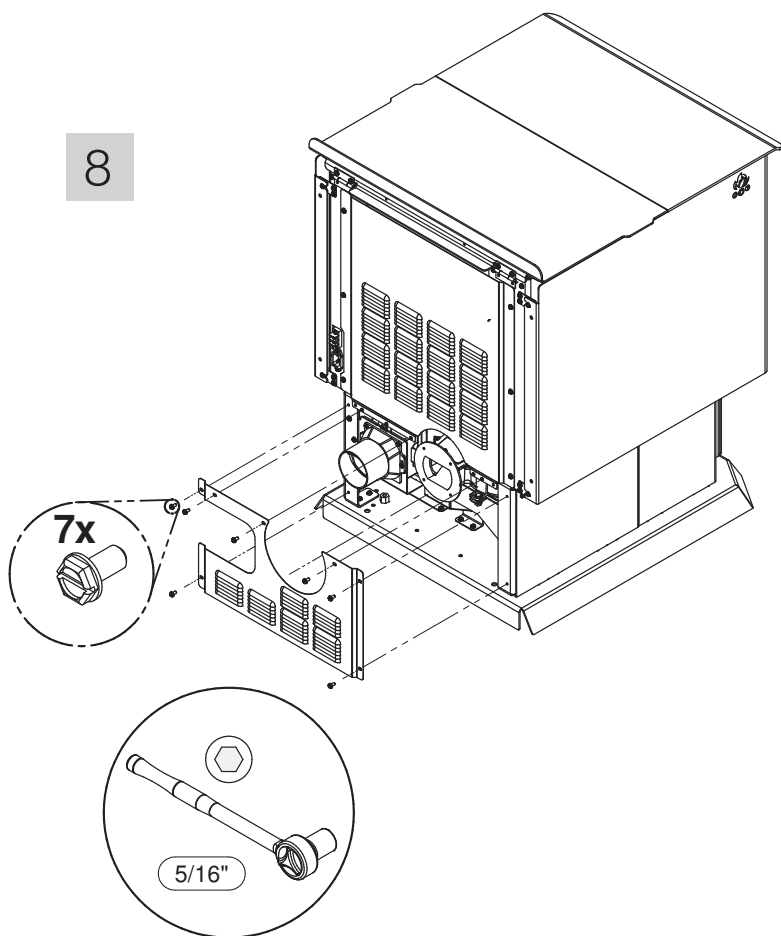
6



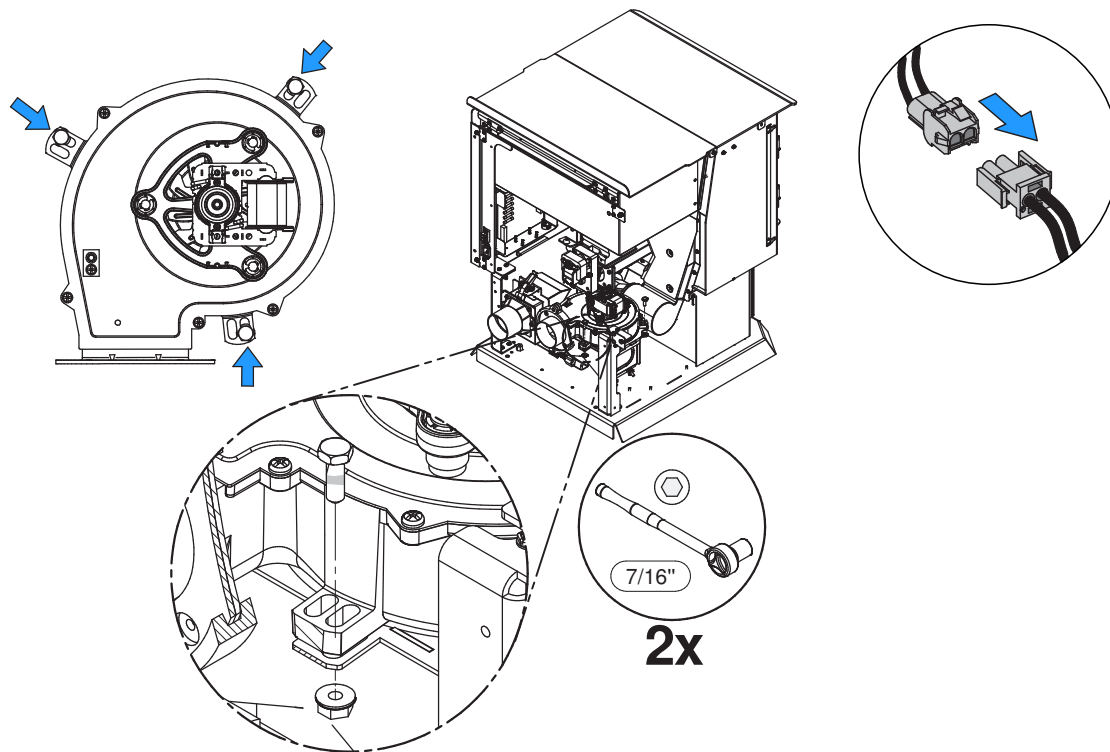
7



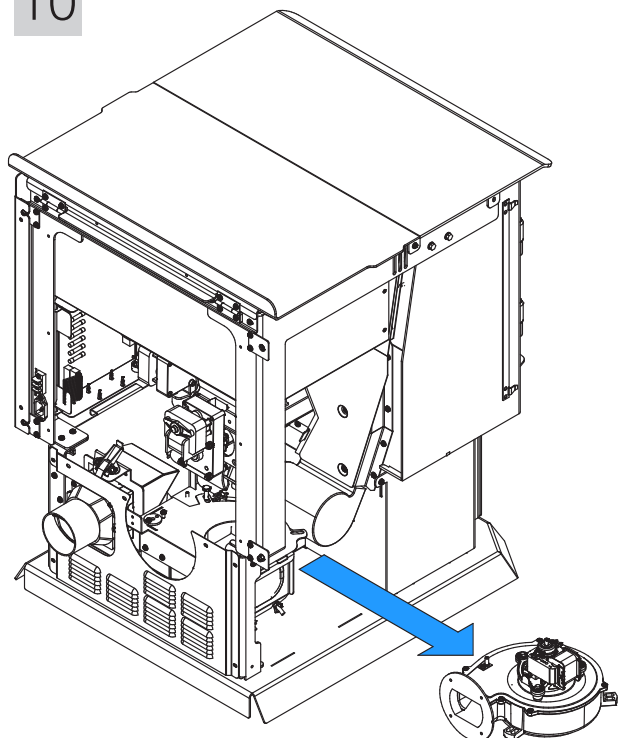
8



9



10



11

