

<h1>HOW TO REPLACE THE ROTATIVE VALVE</h1>	Document #		Model Name and Number		
	HT00144A		OSBURN 3000		
	Document Version		Serial Number		Date
	OP00030		100	to	...

WARNING

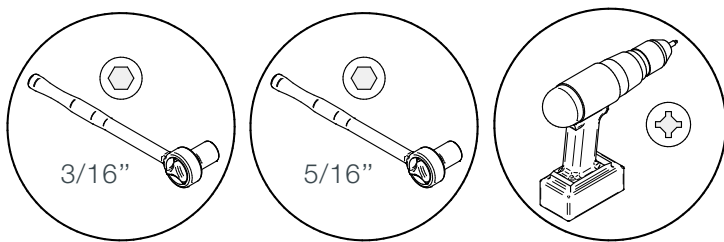
NEVER MANIPULATE OR REPLACE A COMPONENT WHEN THE STOVE IS HOT.

DANGER

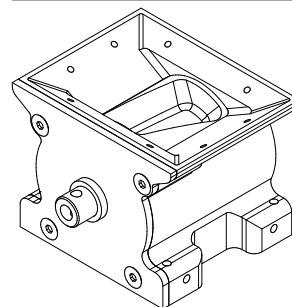
DISCONNECT ALL SOURCE OF POWER BEFORE MANIPULATING OR REPLACING A COMPONENT.

For part numbers visit our web site <https://www.osburn-mfg.com/en/replacement-parts/>
 For more information, contact us at 418-908-8002 or by email at tech@sbi-international.com

TOOL(S) REQUIRED :

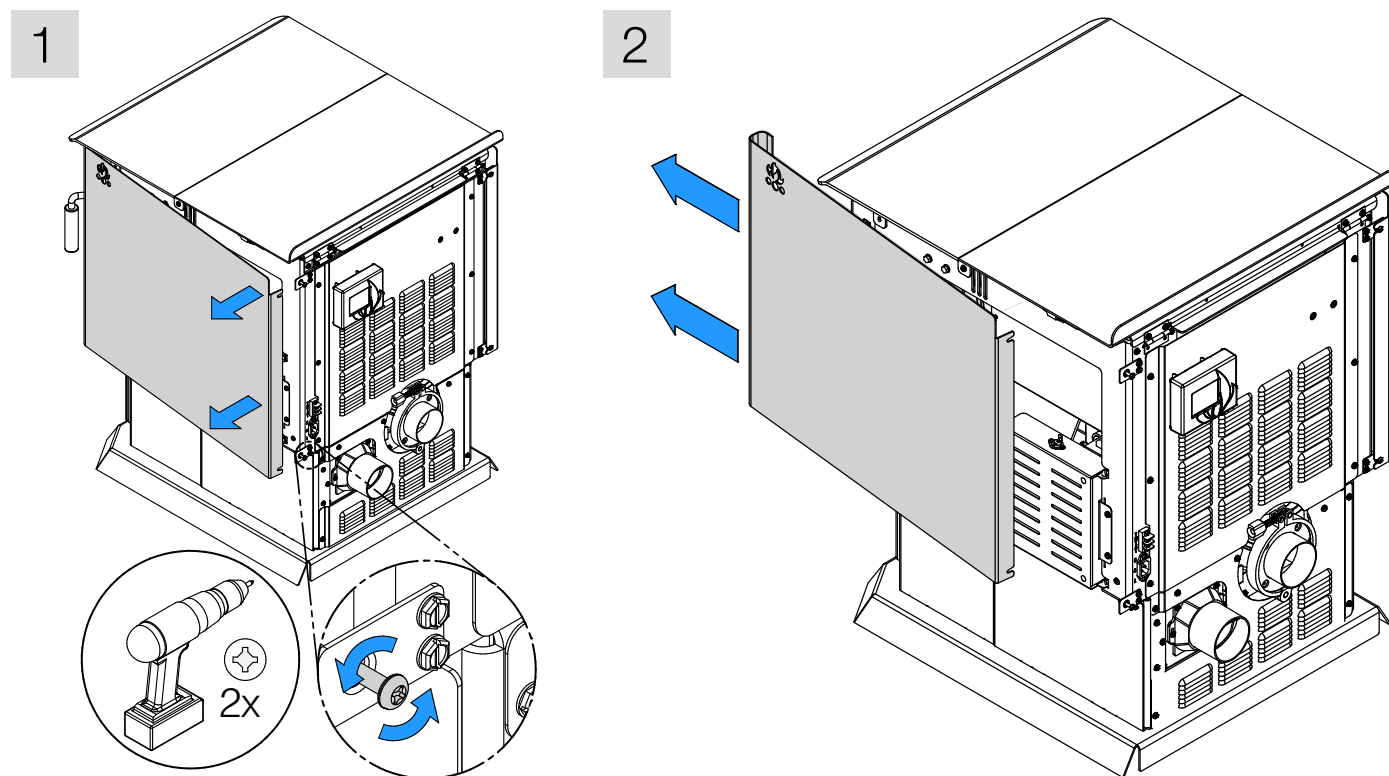


PART(S) REQUIRED :

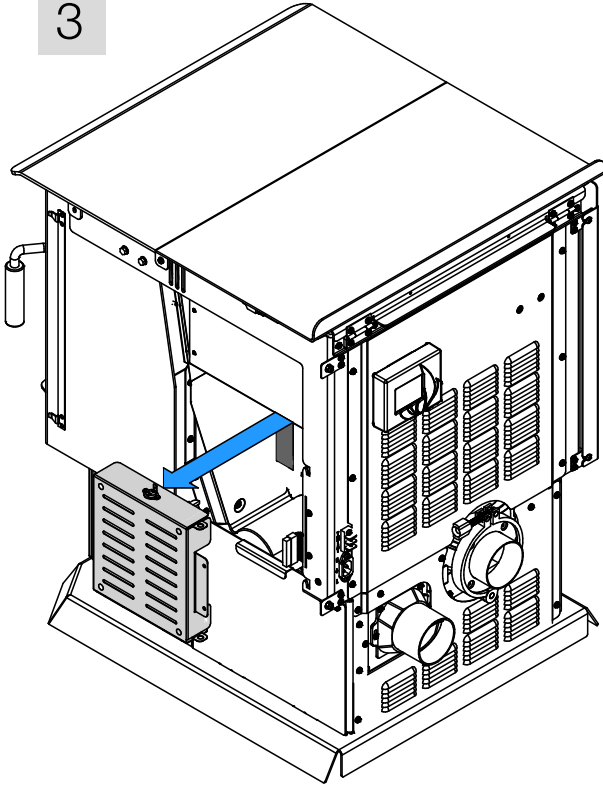


Rotative valve

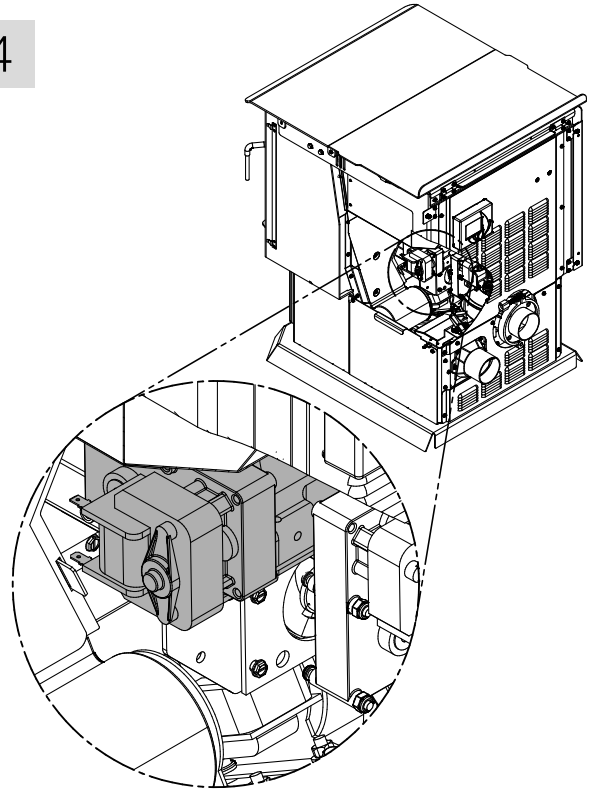
PROCEDURE :



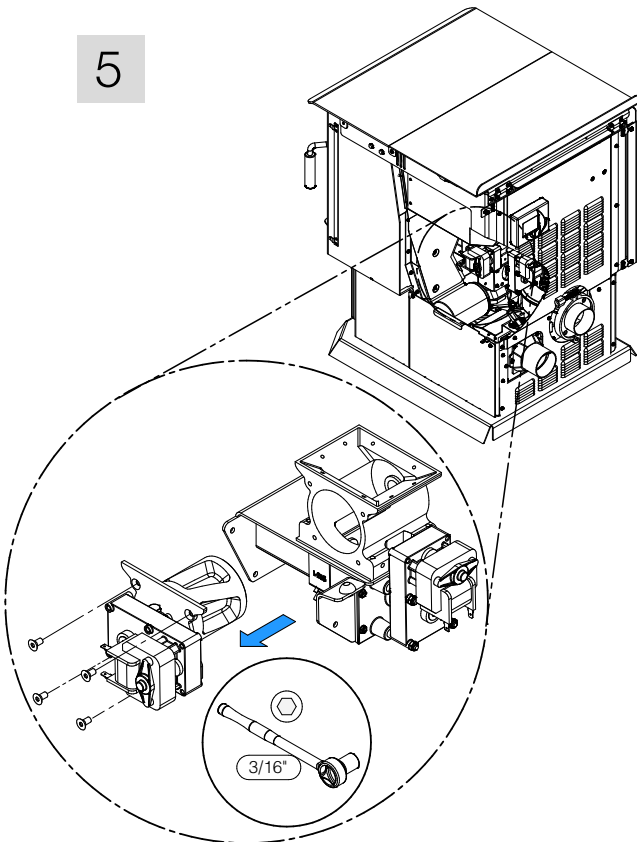
3



4



5



6

