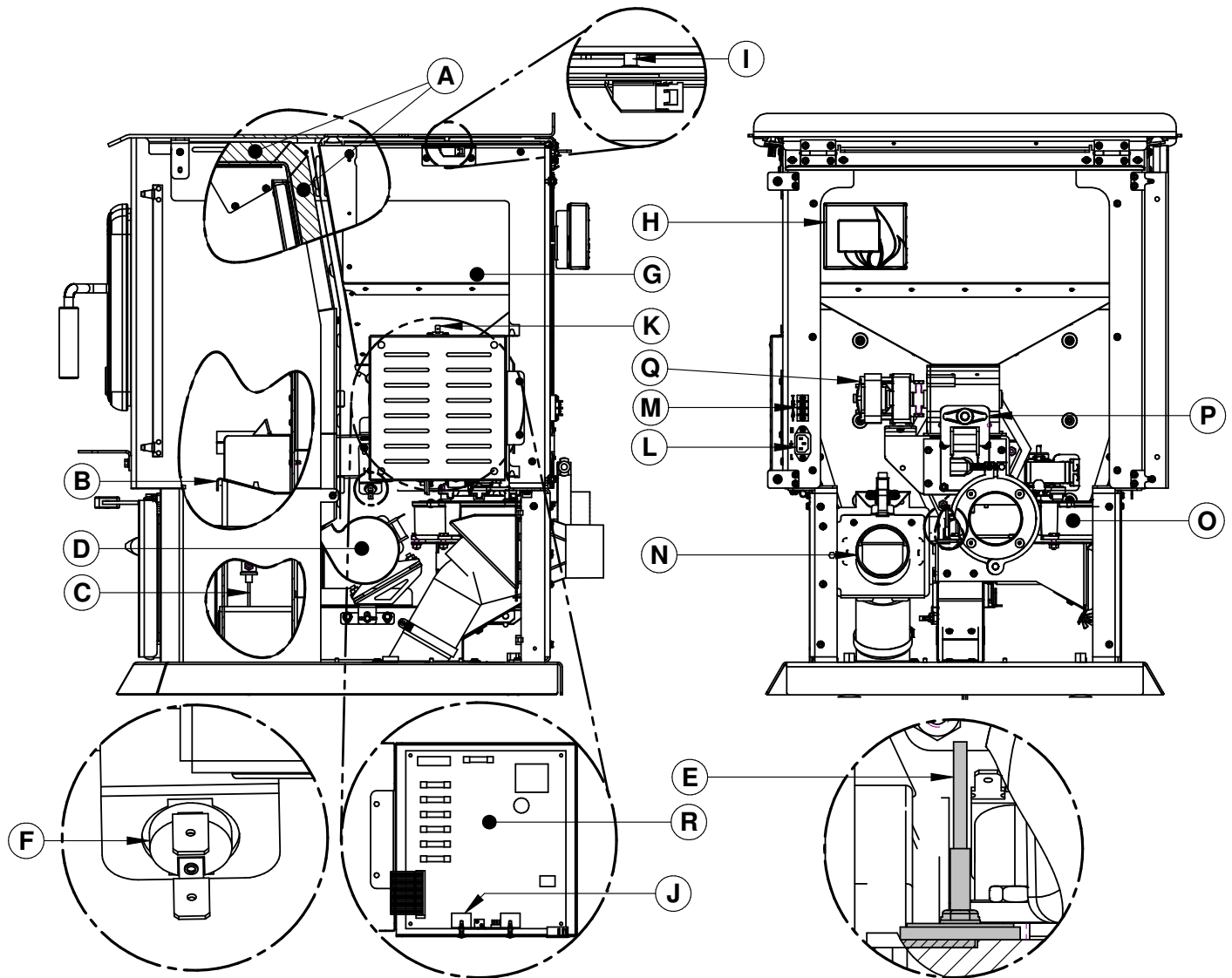


# COMPONENTS LOCATION

HT00143A



LETTER	COMPONENTS	LETTER	COMPONENTS
A	HEAT EXCHANGER	L	POWER CORD RECEPTACLE
B	BURN POT	M	THERMOSTAT TERMINAL BLOCK
C	IGNITOR	N	COMBUSTION BLOWER/FRESH AIR INTAKE
D	CONVECTION BLOWER	O	EXHAUST BLOWER
E	TEMPERATURE PROBE	P	AUGER MOTOR
F	L-250 THERMAL SWITCH	Q	ROTARY VALVE MOTOR
G	HOPPER	R	PC BOARD
H	LCD SCREEN		
I	HOPPER SAFETY SWITCH		
J	PRESSURE SWITCH		
K	F-160 THERMAL SWITCH		