

HOW TO ACCESS FUSES	Document #	Model Name and Number			
	HT00142A	OSBURN 3000			
	Document Version	Serial Number		Date	
	1.0	100	to	...	12-09-2017

**WARNING**

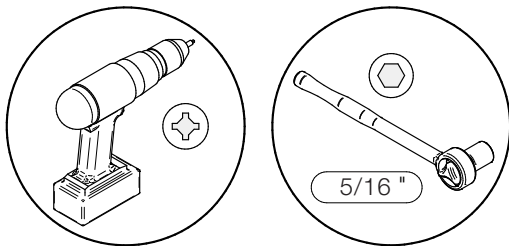
**NEVER MANIPULATE OR REPLACE A COMPONENT WHEN THE STOVE IS HOT.**

**DANGER**

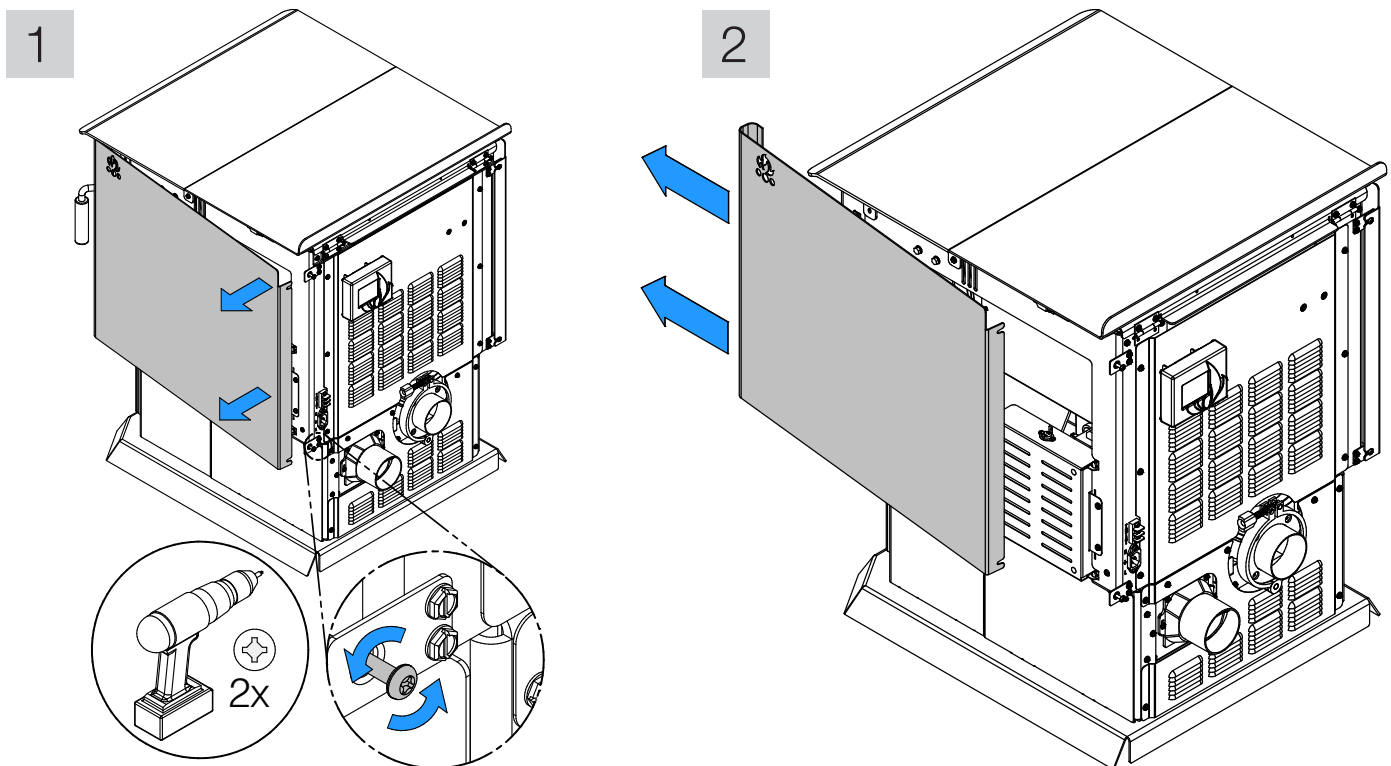
**DISCONNECT ALL SOURCE OF POWER BEFORE MANIPULATING OR REPLACING A COMPONENT.**

For part numbers visit our web site <https://www.osburn-mfg.com/en/replacement-parts/>  
 For more information, contact us at 1-877-356-6663 or by email at [tech@sbi-international.com](mailto:tech@sbi-international.com)

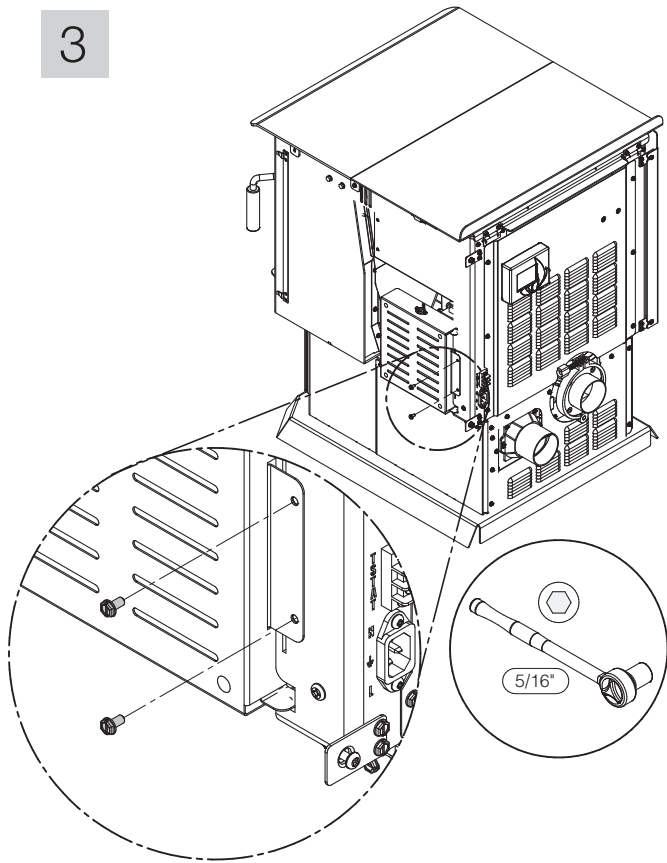
TOOL(S) REQUIRED :



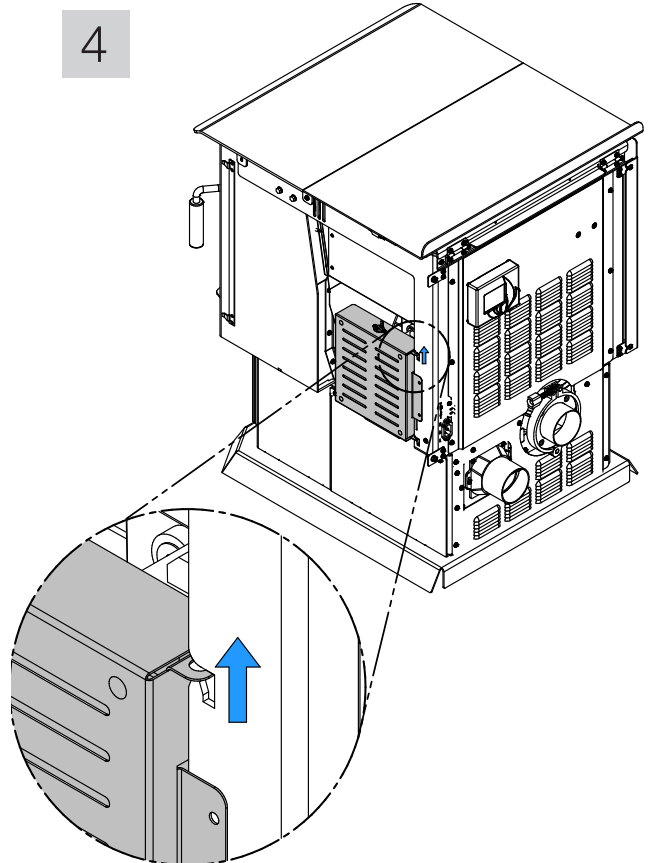
PROCEDURE :



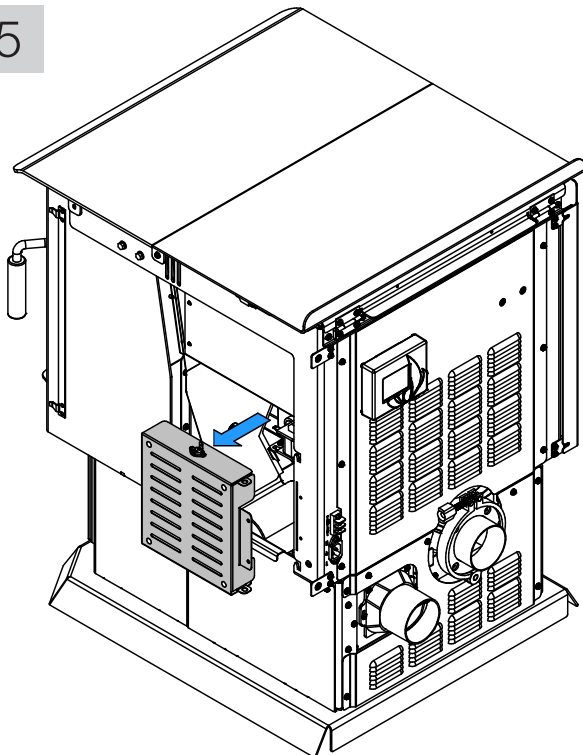
3



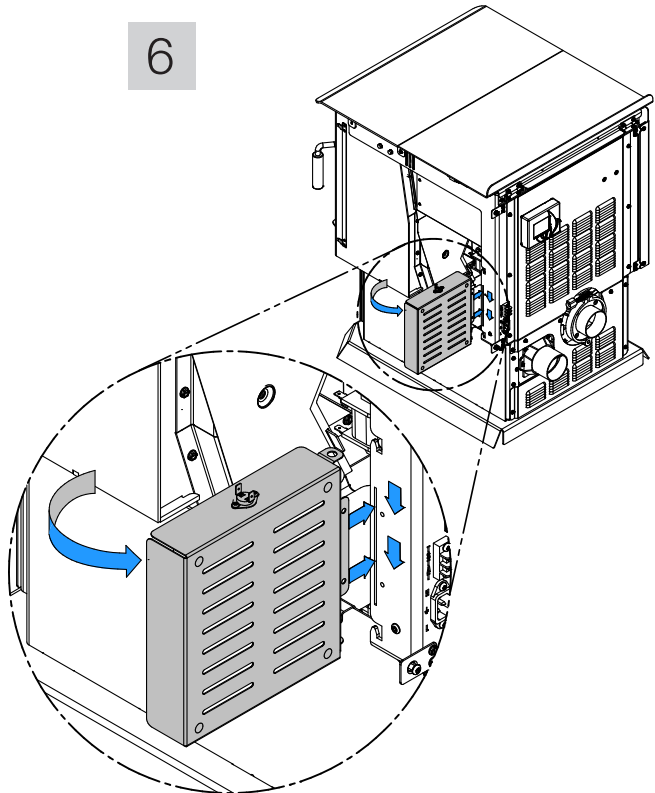
4



5



6



7

