



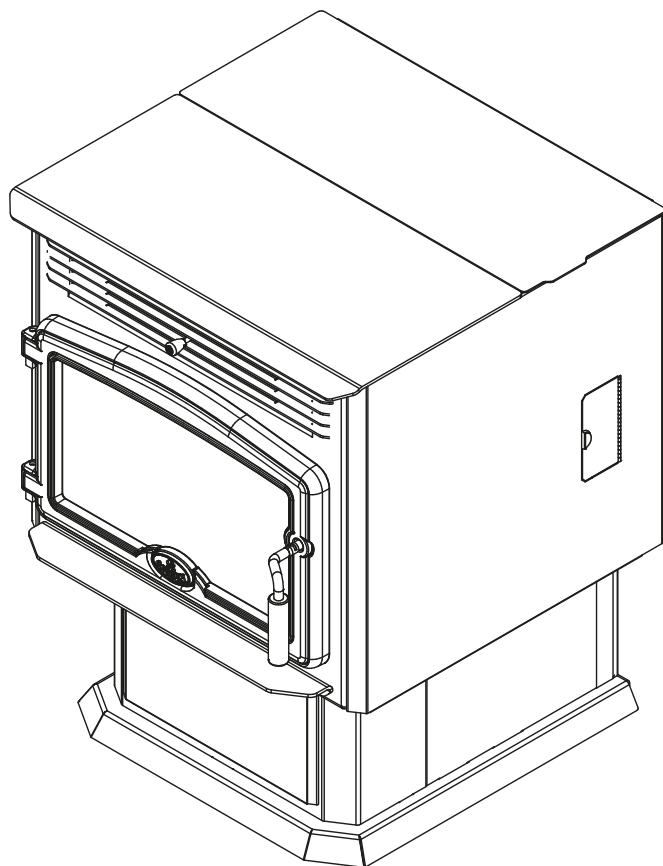
BEYOND  
fire



# Operation Manual

## 2500

(OP00025 Model)



Safety tested according to ULC S627,  
UL 1482 and ASTM E1509 by an  
accredited laboratory.



**INSTALLATION BY A  
PROFESSIONAL IS STRONGLY  
RECOMMENDED**

CONTACT LOCAL BUILDING OR FIRE OFFICIALS ABOUT RESTRICTIONS AND INSTALLATION INSPECTION REQUIREMENTS  
IN LOCAL AREA.

READ THIS ENTIRE MANUAL BEFORE INSTALLATION AND USE OF THIS PELLET FUEL-BURNING ROOM HEATER. FAILURE TO  
FOLLOW THESE INSTRUCTIONS COULD RESULT IN PROPERTY DAMAGE, BODILY INJURY OR EVEN DEATH.

**READ AND KEEP THIS MANUAL FOR REFERENCE**



## RECOMMENDATIONS

It is highly recommended that this appliance be **installed and serviced by professionals who are certified** in the United States by NFI (National Fireplace Institute ® ) or in Canada by WETT (Wood Energy Technology Transfer) or in Quebec by APC (Association des Professionnels du Chauffage).

**If this appliance is not properly installed, combustible materials near it may overheat and catch fire.** To reduce the risk of fire, follow the installation instructions in this manual exactly. Contact local building or fire officials about restrictions and installation inspection requirements in local area. It is also recommended to inform your home insurance company.

It may be needed to get a building permit for the installation of this appliance and the venting system that it is connected to.

**Read this entire manual before operating this stove.**

## SAFETY INFORMATION

### DANGER



**HOT WHILE IN OPERATION, KEEP CHILDREN, CLOTHING AND FURNITURE AWAY. CONTACT MAY CAUSE SKIN BURNS.**

Using a stove with cracked or broken components, such as glass or baffle may produce an unsafe condition and may damage the stove.

The viewing door must be closed and latched at all times during operation. The ash drawer access panel must also be closed during operation.

A smoke detector, a carbon monoxide detector and a fire extinguisher should be installed in the house. The location of the fire extinguisher should be known by all family members.

**Do not disable sensors and safety switches.**



This product can expose you to chemicals including carbon monoxide, which is known to the State of California to cause cancer, birth defects or other reproductive harm. For more information go to [www.P65warnings.ca.gov/](http://www.P65warnings.ca.gov/)

## GENERAL INFORMATION

It is highly recommended to buy this product from a retailer who can provide installation and maintenance advice.

**The stove will not operate during a power outage.** If an outage does occur, check the stove for smoke spillage. Opening a window will prevent negative pressure and smoke spillage in the room.

This stove has been developed and built to be used as a residential heater. Commercial or industrial use is prohibited and will void the warranty.

**This heating unit is designed to serve as a supplementary heat source.** We recommend that a primary heat source also be available in the home. The manufacturer cannot be responsible for costs associated with the use of another heating system.

This stove must be connected to a standard 120V / 60Hz, grounded electrical outlet. Do not use an outlet adapter, an extension cord or sever the grounding plug. Do not route the electrical cord underneath, in front or over the stove.

It is important that adequate oxygen is being supplied to the fire for proper combustion. At all time, make sure the outside air register is not obstructed by ice, snow or other objects as this will starve the fire of air and prevent the proper operation of the stove.

Mixing of appliance components from different sources or modifying components is prohibited and will void the warranty.

Any modification to the stove that has not been approved in writing by the testing authority is prohibited and violates CSA B365 (Canada), and ANSI NFPA 211 (USA).

Stove builder international inc. (SBI) grants no warranty, implied or stated, for the poor installation or lack of maintenance of your appliance and assumes no responsibility of any consequential damages.

This stove is certified to comply with EPA NSPS 2015 particulate emission standards and is not approved for sale after May 15<sup>th</sup> 2020.

### REGISTER YOUR WARRANTY ONLINE

Should warranty service be required, you must show proof of purchase. Keep your sales invoice. The date on these records establishes the warranty period. If proof of purchase cannot be supplied, the warranty period will be determined from the date of manufacture of the product.

We also recommend that you register your warranty online at:

<https://www.osburn-mfg.com/en/warranty/warranty-registration/>

Registering your warranty online will help us to quickly track the information we need about your stove.

## AVAILABLE OPTIONS AND ACCESSORIES

- Hopper extension;
- Fresh air kit;
- Wall thermostat;
- Programmable thermostat;
- Glass hearth pad;

For more details, visit our web site [www.osburn-mfg.com](http://www.osburn-mfg.com) or refer to an authorized dealer.

# TABLE OF CONTENTS

- Recommendations ..... 3**
- Safety Information ..... 3**
- General Information..... 3**
- Available Options and Accessories ..... 4**
- Specifications ..... 7**
  - Certification Label .....8
- Fuel ..... 9**
  - Recommended Pellets .....9
  - Storage .....9
- Stove Controls ..... 10**
- Stove Operation..... 11**
  - Before Operating the Stove ..... 11
  - First Startup / Beginning of Season ..... 12
  - Every Day Startup and Use ..... 12
  - Running Out of Pellets ..... 12
  - Shutting Down Procedure ..... 13
  - Signs of an Overheating Stove ..... 13
  - Using a Thermostat ..... 14
    - Pilot Mode Selection* ..... 14
  - Convection adjustments ..... 14
  - Air Intake Adjustments ..... 15
- Maintenance ..... 16**
  - Maintenance Schedule..... 16
  - Recommended tools..... 17
  - Ash removal ..... 17
  - Burn pot ..... 18
  - Combustion Chamber ..... 18
  - Glass Maintenance ..... 19
    - Replacing the Glass..... 19
  - Maintaining Door Gasket..... 21
  - Adjusting the Door..... 21
  - Verifying the Door Seal..... 21
  - Heat Exchangers and Exhaust Channels ..... 22
  - Baffle..... 23
  - Maintaining the Venting System ..... 24
    - Facing a Chimney Fire* ..... 24
    - Fly Ash and Soot* ..... 24

<b>Troubleshooting</b> .....	<b>25</b>
Main Error Codes .....	25
<i>CODE P</i> .....	25
<i>CODE E</i> .....	25
<i>CODE L</i> .....	26
<i>CODE H</i> .....	26
<i>CODE d</i> .....	26
<i>CODE C</i> .....	26
<i>Other possible error codes</i> .....	27
<b>Recommandations</b> .....	<b>32</b>

## SPECIFICATIONS

Model	2500 (OP00025)
Fuel Type <sup>1</sup>	Wood pellets (Premium grade or better)
Recommended heating area (sq. ft.) <sup>2</sup>	500 - 2,000 pi <sup>2</sup> (46 - 186 m <sup>2</sup> )
Hopper capacity	60 lb (27,3 kg)
Maximum burn time <sup>2</sup>	51 hours
Recommended chimney diameter	3 in. or 4 in (see installation manual).
Flue outlet diameter	3 po. (76 mm)
Type of chimney	ULC/ORD-C441, CAN/ULC S609 UL 641 (TYPE L)
Approved for alcove installation	Yes
Approved for mobile home installation <sup>3</sup>	Yes
Shipping weight (without option)	286 lb (130 kg)
Appliance weight (without option)	253 lb (115 kg)
Baffle material	Stainless Steel
Type of door	Simple, glass with cast iron frame
Type of glass	Ceramic glass
Blower	Included (176 CFM)
Noise level at 6 feet	Min. 47 dBa (+/- 3 dBa) Max. 60 dBa (+/- 3 dBa)

<sup>1</sup> Grades of pellet fuel are determined by organizations such as Pellet Fuels Institute (PFI), ENplus and CANplus.

<sup>2</sup> Recommended heating area and maximum burn time may vary subject to location in home, chimney draft, heat loss factors, climate, fuel type, feed rate, fuel level, and other variables. The recommended heated area for a given appliance is defined by the manufacturer as its capacity to maintain a minimum acceptable temperature considering that the space configuration and the presence of heat distribution systems have a significant impact in making heat circulation optimum.

<sup>3</sup> Mobile home (Canada) or manufactured home (USA): The US department of Housing and Urban Development describes “manufactured homes” better known as “mobile homes” as followed; buildings built on fixed wheels and those transported on temporary wheels/axles and set on a permanent foundation. In Canada, a mobile home is a dwelling for which the manufacture and assembly of each component is completed or substantially completed prior to being moved to a site for installation on a foundation and connection to service facilities and which conforms to the CAN/CSA-Z240 MH standard.

# Certification Label

Since the information given on the certification label affixed to the stove always overrides the information published in any other media (owner's manual, catalogues, flyers, magazines or web sites), it is important to refer to it in order to have a safe and compliant installation. In addition, important information about the stove can be found (model, serial number, etc.). The certification label is located on the inner side of the hopper lid of the stove.

ENGLISH



**LISTED SOLID FUEL BURNING APPLIANCE**  
**POÊLE À COMBUSTIBLE SOLIDE HOMOLOGUÉ**

**MODEL / MODÈLE : OSBURN 2500**

Serial Number / No. de Série: **1**

**Clearances to combustibles / Dégagements aux combustibles**



A: 3 in./po. (76 mm) B: 6 in./po. (152 mm) C: 3 in./po. (76 mm) E: 6 in./po. (152 mm) CANADA / USA  
D: See Vent manufacturer F: 6 in./po. (152 mm) CANADA / USA


Floor protection / Protection de plancher



Minimum floor to ceiling distance: 48 in. (122 cm.) / Distance minimale plafond-plancher: 48 po. (122 cm.)

**PREVENT HOUSE FIRES / PRÉVENEZ LES INCENDIES**

- Install with a four (4) inches diameter exhaust venting system listed to UL103/ULC 5629 or UL641/ULC 5609.
- In case of an exhaust system passing through a combustible wall, follow manufacturer's instructions and refer to local building codes.
- Keep viewing and ash removal doors tightly closed during operation.
- Room heater, pellet fuel-burning type, also for use in mobile homes.
- Install and use only in accordance with manufacturer's instructions.
- Contact local building or fire officials about restrictions and installation inspection in your area.
- For use with premium grade wood pellets or better as determined by organizations such as Pellet Fuels Institute (PFI), Enplus and CA/Nplus. Burning other types of pellets is not permitted. See owner's manual for more details.
- Do not connect to a chimney flue serving another appliance.
- Inspect and clean chimney frequently. Under certain conditions of use, creosote buildup may occur rapidly.
- Replace with ceramic glass only.
- The unit must be installed on a non-combustible floor pad extending at least 6 inches (152 mm) in front of the door opening and at least 6 inches (152 mm) on each side of the door opening. The floor pad must have a thickness of at least 0.015" (0.38mm). Consult owner's manual for more details.
- A source of fresh air must be provided to the room. When installed in a mobile-home, air from outdoors must be provided.
- Do not obstruct combustion air opening.



This wood heater needs periodic inspection and repair for proper operation. Consult the owner's manual for further information. It is against US federal regulations to operate this wood heater in a manner inconsistent with the operating instructions in the owner's manual.

Made in St-Augustin-de-Desmaures (Qc), Canada  
09/08/2017 (# test)




Fabriqueur de poêles international  
Stove Builder International

Made in St-Augustin-de-Desmaures (Qc), Canada  
09/08/2017 (# test)



Fabriqueur de poêles international  
Stove Builder International



**LISTED SOLID FUEL BURNING APPLIANCE**  
**POÊLE À COMBUSTIBLE SOLIDE HOMOLOGUÉ**

**MODEL / MODÈLE : OSBURN 2500**

Serial Number / No. de Série: **1**

U.S. ENVIRONMENTAL PROTECTION AGENCY Certified to comply with 2020 particulate emission standards.  
AGENCE DE PROTECTION DE L'ENVIRONNEMENT DES É.U. (EPA). Conforme aux normes d'émission de particules de 2020.  
Weighted average emission rate / Moyenne pondérée des émissions: 0.96 g/h  
When tested in accordance with / Lorsque testé selon: ASTM E2515 & ASTM E2779

**CAUTION**

- HOT WHILE IN OPERATION.
- DO NOT TOUCH. KEEP CHILDREN, CLOTHING AND FURNITURE AWAY.
- CONTACT MAY CAUSE SKIN BURNS. SEE NAME-PLATE AND INSTRUCTIONS.
- OPERATE THIS UNIT ONLY WITH THE FUEL HOPPER LID CLOSED. FAILURE TO DO SO MAY RESULT IN EMISSION OF PRODUCTS OF COMBUSTION FROM THE HOPPER UNDER CERTAIN CONDITIONS.
- DO NOT OVERFILL THE HOPPER.
- MOVING PARTS MAY CAUSE INJURY.
- HOT PARTS. DO NOT OPERATE UNIT WITH THE SIDE OR REAR PANELS REMOVED.
- MAINTAIN HOPPER SEAL IN GOOD CONDITION.

**ATTENTION**

- CHAUD EN FONCTIONNEMENT.
- NE PAS TOUCHER. GARDER LES ENFANTS, LES VÊTEMENTS ET LES MEUBLES ÉLOIGNÉS.
- UN CONTACT AVEC LA PEAU PEUT OCCASIONNER DES BRÛLURES. VOIR LES INSTRUCTIONS.
- OPÉRER CET APPAREIL SEULEMENT AVEC LE COUVERCLE DE LA TRÉMIE FERMÉ. DES ÉMISSIONS DE COMBUSTION PEUVENT SE PROPAGER PAR LA TRÉMIE SOUS CERTAINES CONDITIONS.
- NE PAS SURCHARGER LA TRÉMIE.
- DES PIÈCES EN MOUVEMENT PEUVENT CAUSER DES BLESSURES.
- PIÈCES CHAUDE. NE PAS UTILISER SI LES PANNEAUX DE CÔTÉS OU ARRIÈRE SONT ENLEVÉS.
- CONSERVER LE JOINT D'ÉTANCHÉITÉ DU TRÉMIE EN BONNES CONDITIONS.


**DANGER**

- DISCONNECT POWER BEFORE SERVICING UNIT.
- RISK OF ELECTRICAL SHOCK.

**DANGER**


- DÉBRANCHER POUR L'ENTRETIEN.
- RISQUE DE CHOC ÉLECTRIQUES.

Made in St-Augustin-de-Desmaures (Qc), Canada  
09/08/2017 (# test)



Fabriqueur de poêles international  
Stove Builder International

Made in St-Augustin-de-Desmaures (Qc), Canada  
09/08/2017 (# test)



Fabriqueur de poêles international  
Stove Builder International

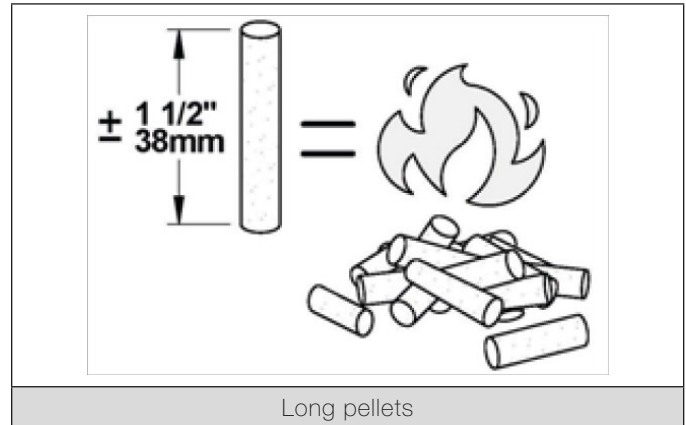
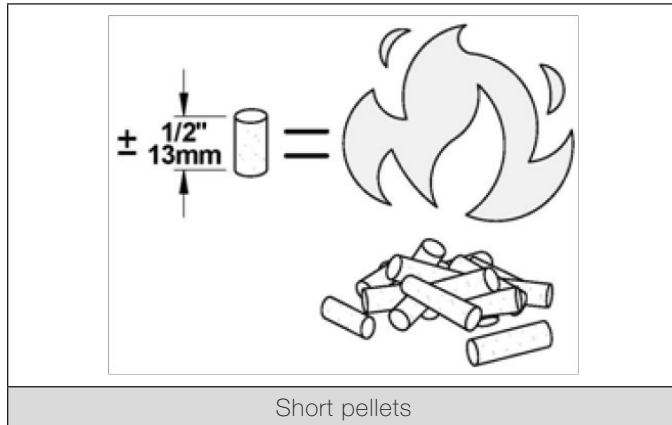


# FUEL

## Recommended Pellets

*Type:* Wood pellet, premium grade or better, certified by PFI, Enplus or CANplus.

*Size:* Diameter between 1/4" or 5/16" and not over 1" long. Longer or thicker pellets will affect the constancy of pellet feed. The pellets length may vary from one lot to another, even if it comes from the same manufacturer.



ENGLISH

*Ash contents:* Less than 1%. Ash contents more than 1% will increase maintenance frequency, create combustion problems and will increase the stove emission.

*Moisture content:* Wet pellets will be very hard to ignite and will greatly affect the feeding process of the stove. Using dry pellets will maintain the performance of your stove.



*Note that the pellets quality may vary depending on the manufacturer. It can also vary from one bag to another, even if it comes from the same manufacturer. It is recommended to try several different manufacturers to find the one that best suits your use. Then, buy the pellets in lots of several tons to ensure satisfaction.*



*Burning other types of pellets is prohibited. It violates the building codes for which the stove has been approved and will void the warranty.*

## Storage

Pellets should remain in their original packaging until ready for use.

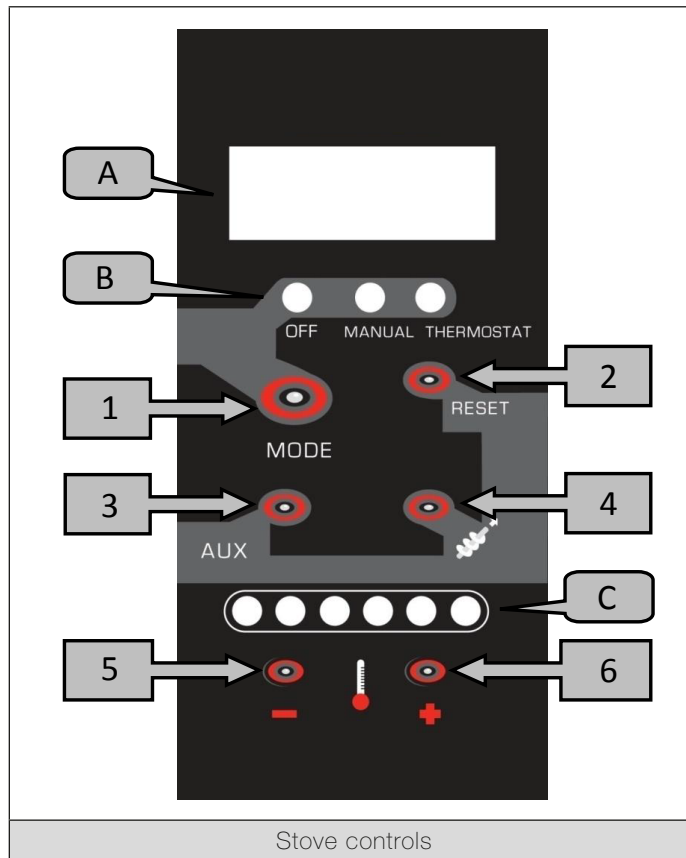
Pellets bags should be stored in a dry and well ventilated area, if possible. If they are to be stored outside, remember that pellets bags are not water tight. It is best to keep the pallet wrapper as intact as possible and cover it with a tarp.

Having a bag or two in the same room as the stove for refueling is a good idea. The minimum clearances to combustible materials and the space required for refilling and ash removal needs to be respected.

**DO NOT STORE FUEL WITHIN STOVE MINIMUM CLEARANCES TO COMBUSTIBLE.**

## STOVE CONTROLS

The stove, the pellet feeding system and the blowers are controlled by a control panel on the right-hand side of the stove. The control panel buttons and display areas are as follows:



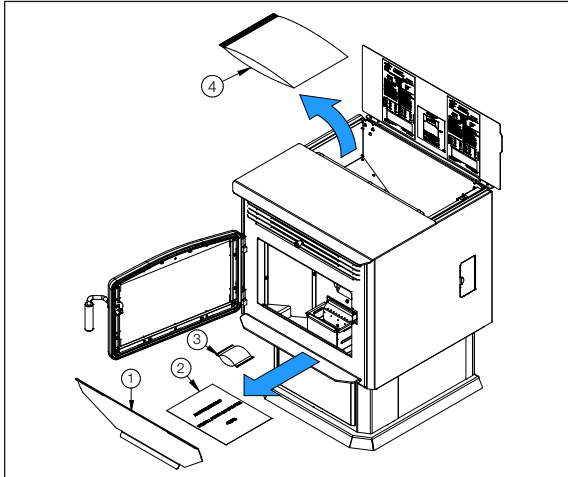
ENGLISH

No	Description
A	Control panel display area.
B	Stove state display area.
C	Stove heating intensity display area, level 1 to 6.
1	MODE: the «MODE» button is used to either turn off the appliance (OFF), turn it on in manual operation (MANUAL) or in thermostatic operation (THERMOSTAT).
2	RESET: The «RESET» button is used to reset the stove after the appearance of most of the warning codes.
3	AUX: The «AUX» button is used to adjust the convection air speed.
4	AUGER: The «Auger» button is used to fill the auger with pellets.
5	MINUS: The « - » button is used to reduce the pellet feeding rate thus reducing the heat output of the stove.
6	PLUS: The « + » button is used to increase the pellet feeding rate thus increasing the heat output of the stove.

# STOVE OPERATION

## Before Operating the Stove

- Make sure appliance and venting are installed as per manufacturer’s instructions;
- Read and follow this operation manual;
- Make sure all tools and accessories has been removed from inside the stove;

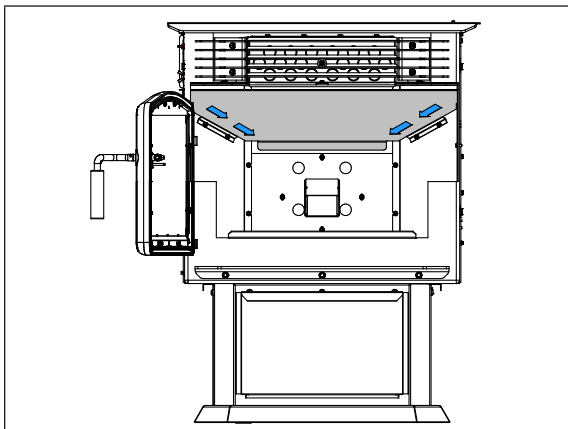


Tools and accessories located inside the stove

No	Tools / Accessories
1	Baffle
2	Warning sheet
3	Humidity absorbant
4	Users manual

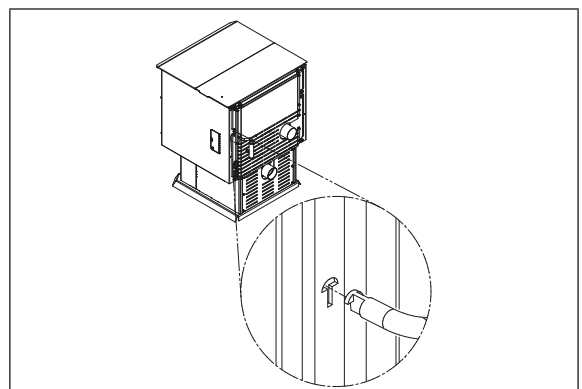
ENGLISH

- Make sure the baffle is installed as shown below:



Baffle final location in the stove

- Make sure that the burn pot is in place properly and that there is enough pellets in the hopper.
- The stove handle is removable. **When the stove is in operation, it must be stored behind the stove**, as shown in the «door handle location» figure.



Door handle location

## First Startup / Beginning of Season

Before starting the stove, the burn pot, the baffle and the access panels must be installed correctly. The stove and hopper must have been emptied of all tools and accessories (see «Before operating the stove»). In addition, all doors and covers must be closed and the vent system must be properly installed and sealed.

Fill the hopper with pellets and press the «MODE» button once to start the stove in manual mode (MANUAL) or twice to start the stove in thermostat mode (THERMOSTAT). For the first fire of the season, or if the unit has run out of pellets, press the «AUGER» button first, then start the stove in the desired mode. When the stove is turned on, it will automatically ignite. No fire starter is required.

If the stove does not light within 20 minutes of starting, the message «CODE L» will appear in the display area. See the troubleshooting section for details.

*During the first few fires, the stove will emit an odor and a small amount of fumes as the high temperature paint cures or becomes seasoned to the metal. Maintaining smaller fires will minimize this. Avoid placing items on stovetop during this period to avoid damaging the paint surface. Make sure the room is well-ventilated. Open windows. Odors and fumes released during this process are unpleasant but they are not toxic.*



*Make two or three low intensity fires to initiate the paint hardening and the components conditioning process. Then, make high intensity fires until the stove no longer smell of paint.*



**NEVER USE A GRATE OR OTHER MEANS TO SUPPORT THE FUEL. USE ONLY THE APPROVED BURN POT FOR THIS STOVE AND DO NOT MODIFY IT.**

## Every Day Startup and Use

Before startup, make sure that the recommended maintenance has been performed according to the schedule (see «Maintenance» section). Fill the hopper and press the «MODE» button once to start the stove in manual mode (MANUAL) or twice to start the stove in thermostat mode (THERMOSTAT).

By pressing on the «+» or «-» buttons, it is possible to increase or decrease the feed rate, and thereby the intensity level of the stove. Intensity levels change, from 1 to 6, can be visualized by the red light in the heating intensity display area.

## Running Out of Pellets

If the stove runs out of pellets, the fire will slowly go out. The convection blower will remain on until the heat sensor reads 115 °F. The cooling cycle will take a few minutes before all other motors stop. When this temperature is reached, the message «CODE E» will appear.

Restarting the stove will only be possible when all blowers are off (about 10 minutes after the error message appears). Press «RESET» and fill the hopper. Press the «AUGER» button and then press the «MODE» button on the home page to start the stove in the desired mode.

## Refueling

When the stove is running, the hopper lid can be opened for 90 seconds to refill the hopper before the stove stops. A beeping sound that will intensify every 30 seconds can be heard. After 90 seconds, if the hopper lid is still open, the stove will stop and display the message «CODE d». For more information, see the troubleshooting section for details. When the stove is stopped, there is no time limit for filling the hopper. *Note that opening the hopper lid will stop the auger from feeding the pellet stove.*

**THE HOPPER LID MUST BE CLOSED AT ALL TIMES EXCEPT WHEN REFUELING.**

## DO NOT OVERFILL THE HOPPER.

### Shutting Down Procedure

To turn the stove off, press the «MODE» button until the red light is in the OFF position. The cooling cycle will take a few minutes. The blowers will continue to work while the stove is cooling down.



**NEVER UNPLUG THE POWER CORD TO TURN OFF THE STOVE.**

### Signs of an Overheating Stove

Choosing a stove that is too small for the house in which it is installed may cause the stove to overheat since it will have to operate at maximum setting for most of the time to achieve a comfortable temperature. The life expectancy of the components and the stove will be reduced.

Under normal conditions, the flame must have a bright yellow color, be very active and stable. If the flame becomes lazy, very high and orange, it is a sign of malfunction.

Usually, overheating issues are caused by too much restriction in the venting system, a blocked heat exchanger, a lack of combustion air or a lack of maintenance.

If the stove is overheating, it will become very hot. If the stove gets too hot, it will shut itself down, showing the «CODE H» message.

If this occurs **once**, wait for the stove to cool down and **perform the weekly maintenance** of the stove suggested in the maintenance calendar. **Carefully inspect the venting system.** Have it swept, if necessary. Press on the «MODE» and «RESET» buttons simultaneously for 3 seconds to reset the stove.

If this occurs more than once, contacting the retailer may be helpful in order to receive some advice for this code not to happen again.

After three occurrence of an H code, the stove control will be locked and it will be impossible to reset it and restart the stove. Before unlocking the stove control, **perform the biannual maintenance** suggested in the maintenance calendar. **Carefully inspect the venting system.** Have it swept, if necessary. When maintenance is done, press the following buttons, one at a time : «RESET», «MODE», «+», «-», then press on the «AUGER» for 5 seconds.



*If any external part of the stove begins to glow red, the stove is overheating. Immediately turn the stove off. **Do not unplug it and do not open the door.** Unplugging the stove will disable all the safety features of the stove.*

## Using a Thermostat

Using a thermostat will help maintain a constant temperature throughout the house. A Low voltage thermostat (24 volts) is required. A fixed wall mount or hand held model can be used.

To use the stove in thermostat mode, press the «MODE» button until the «THERMOSTAT» position is reached. Then, select the intensity level using the «-» or «+» buttons. In thermostatic mode, the stove will operate at the selected intensity level until the room temperature has reached the programmed level on the thermostat.

### *Pilot Mode Selection*

The factory setting of the pilot mode is «AUTO». To change it, press on the «-» and «MODE» buttons simultaneously for 3 seconds. The selected mode will appear on the control panel display area.

#### *Pilot AUTO (Intensity level 1)*

When the thermostat stops calling for heat, the unit will remain at its lowest intensity level (#1) and will shut down after 15 minutes, if there is no call for heat.

#### *Pilot AUTO (Intensity level 2 to 6)*

When the thermostat stops calling for heat, the unit automatically switch to its lowest intensity level (#1) until the thermostat requires heat again. The stove will shut down after 45 minutes, if there is no call for heat.

#### *Pilot ON:*

When the thermostat stops calling for heat, the unit automatically switch to its lowest intensity level (#1) until the thermostat calls for heat again. The stove will never shut down, even if there is no call for heat.



*To avoid premature wear of the components, it is recommended to use the «Pilot ON» mode during the coldest months and the «Pilot AUTO» mode during the warmest months.*

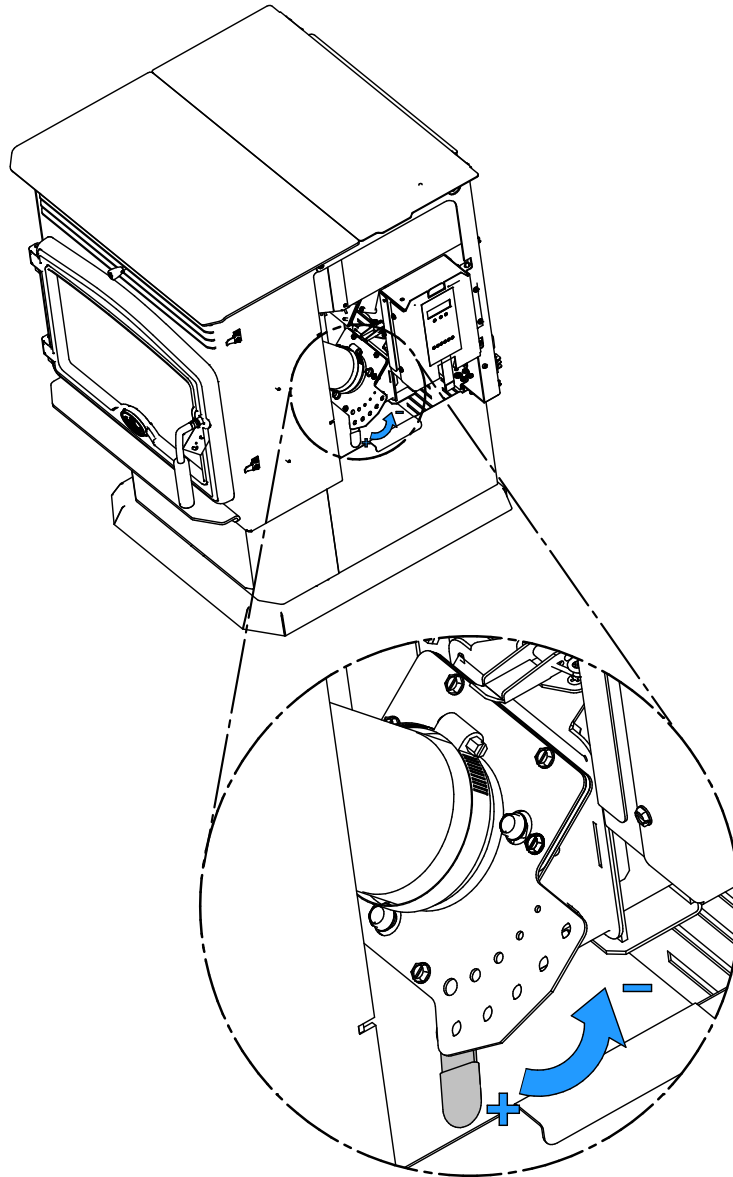
## Convection adjustments

Each intensity level has been programmed with an optimum convection speed. However, it is possible to increase the convection air speed by pressing the «AUX» button. All intensity levels can be increased at the exception of the intensity level 6, which is already at its maximum speed.

## Air Intake Adjustments

It is possible to adjust the amount of combustion air entering the stove. Using the stove to the lowest setting will reduce missed ignition, will ignite pellets faster and will reduce the blackening of the window, when using high quality pellets. If you should find one bag of pellets harder to ignite and to burn, opening the air control will help.

To open or close the manual air control, open the right decorative panel and locate the air intake. Push down the tab and slide upwards to decrease the air supply and downwards to increase the air supply.



## MAINTENANCE

**DANGER**



**NEVER CLEAN WHEN HOT.**

**DANGER**



**DISCONNECT ALL POWER BEFORE SERVICING THE APPLIANCE.**

### Maintenance Schedule

*This schedule should be used as a reference only for a normal use of the stove. The cleaning frequency may vary depending on the type of fuel used.*

ENGLISH

COMPONENTS	WEEKLY (±250 POUNDS)	TWICE A YEAR (± 1 TON)	YEARLY (± 2 TONS)
Baffle	Vacuum		
Glass air wash system	Vacuum		
Burn Pot	Scrape / Vacuum		
Glass	Clean		
Ash drawer	Empty / Vacuum		
Combustion chamber	Vacuum	Brush / Vacuum	
Heat exchanger	Brush	Scrape / Vacuum	
Exhaust channels		Vacuum	
Exhaust blower		Vacuum	
Combustion blower		Inspect	
Convection blower		Vacuum	
Venting system		Inspect / Sweep	Clean and Sweep
Gaskets		Inspect	
Hopper			Empty / Vacuum



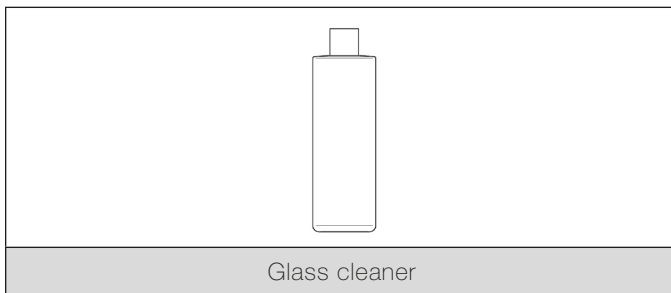
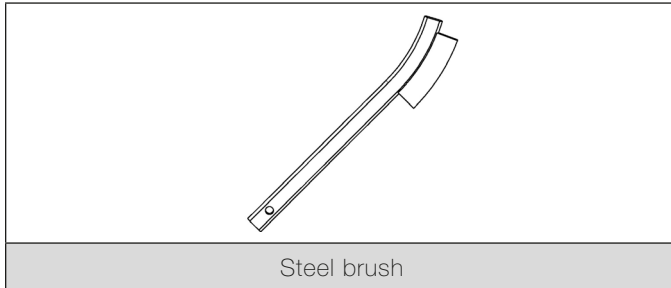
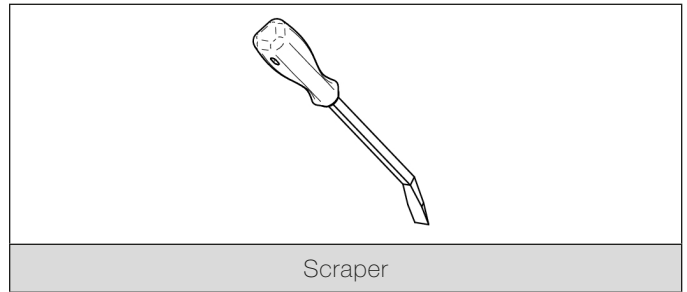
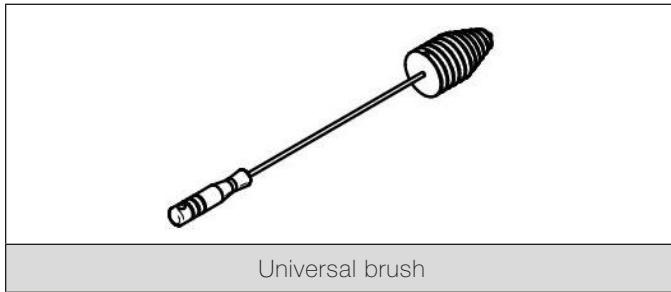
*Cleaning of the stove and its venting system is important, especially at the end of the heating season to minimize corrosion during the summer months, caused by accumulated ash.*



**NEGLECTING THE RECOMMENDED CLEANING AND MAINTENANCE OF THE APPLIANCE COULD RESULT IN POOR PERFORMANCE AND A SAFETY HAZARD.**



## Recommended tools



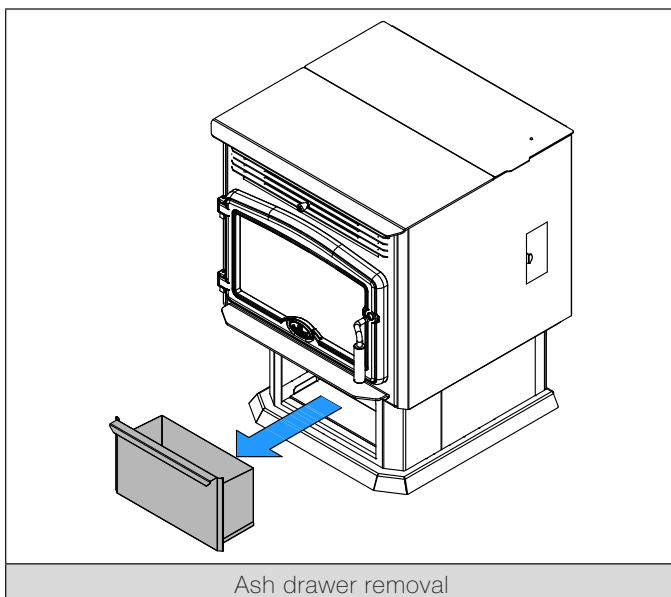
ENGLISH

## Ash removal

### DANGER



**NEVER VACUUM THE ASHES WHEN THEY ARE HOT. THE ASHES MUST BE COOLED BEFORE SERVICING.**





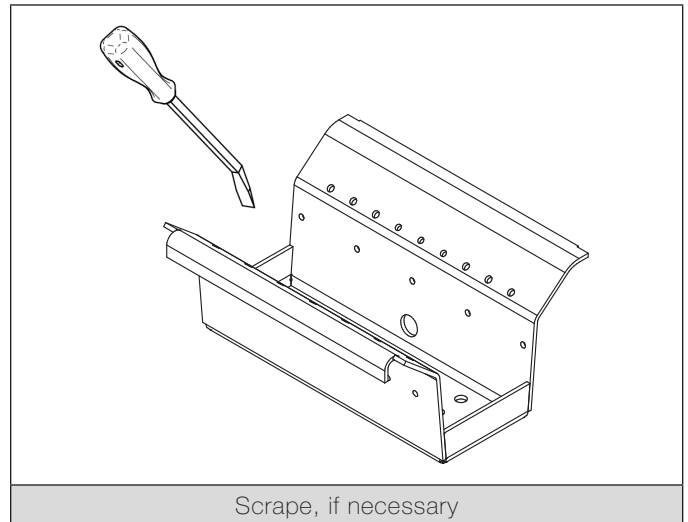
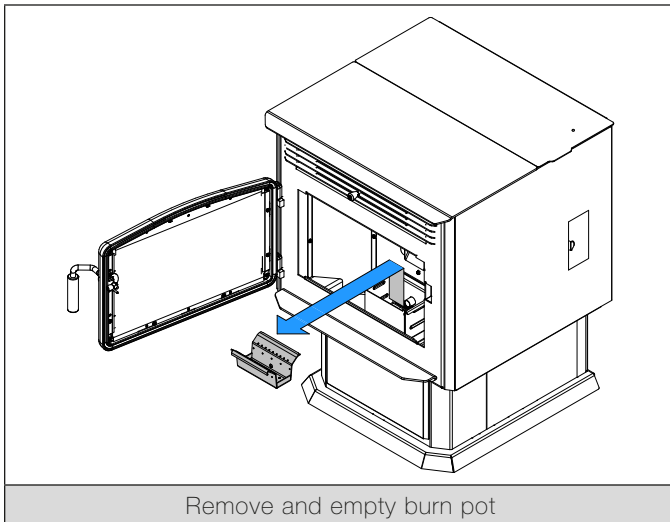
The ashes should be placed in a metal container with a tight lid. The container should be placed on a non-combustible surface, away from any material that may catch fire. If the ash is to be buried or locally dispersed, it should be kept in the closed container until it is completely cooled.



The use of a domestic, central or commercial vacuum cleaner to maintain the stove is not recommended. The use of an ash vacuum cleaner is strongly recommended.

## Burn pot

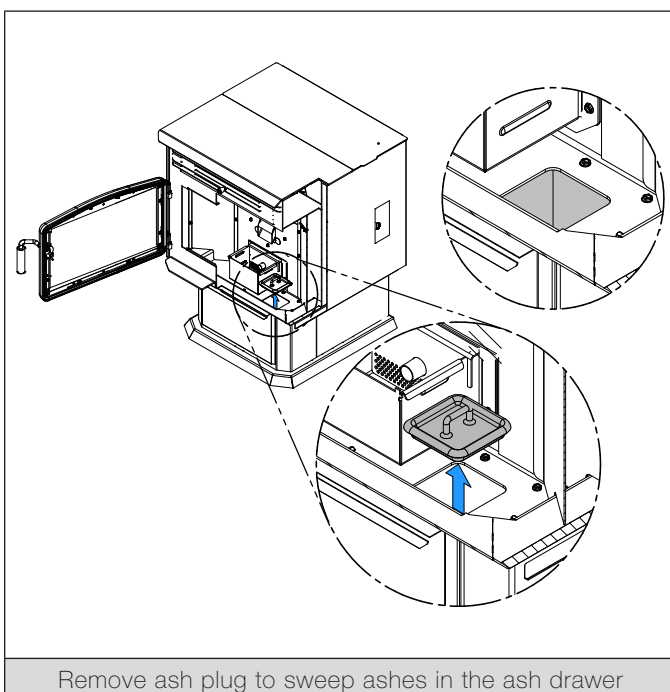
ENGLISH



## Combustion Chamber

Clean the combustion chamber by vacuuming the cooled ashes. When necessary, brush the walls and vacuum the ashes afterwards.

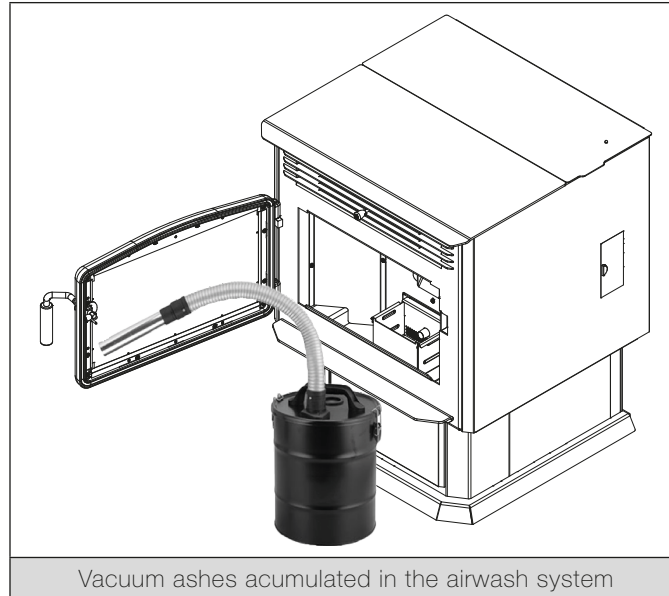
You can also push the ashes into the ash drawer through the opening at the bottom of the firebox. In this case alone, the ashes do not have to be cold.



## Glass Maintenance

Vacuum ashes accumulated in the airwash system of the glass. This allows optimum air flow and prevents the window from sooting up.

Clean door glass when necessary. The use of a stove glass cleaner is recommended. Regular household glass cleaners will not remove creosote properly.



**NEVER USE ABRASIVE CLEANERS ON THE GLASS OR ON ANY PLATED PARTS.**

**DO NOT CLEAN THE GLASS WHEN IT IS HOT.**

**DO NOT FORCE, STRIKE, SLAM OR ANY OTHER BEHAVIOR THAT COULD FRAGILIZE THE GLASS DOOR.**

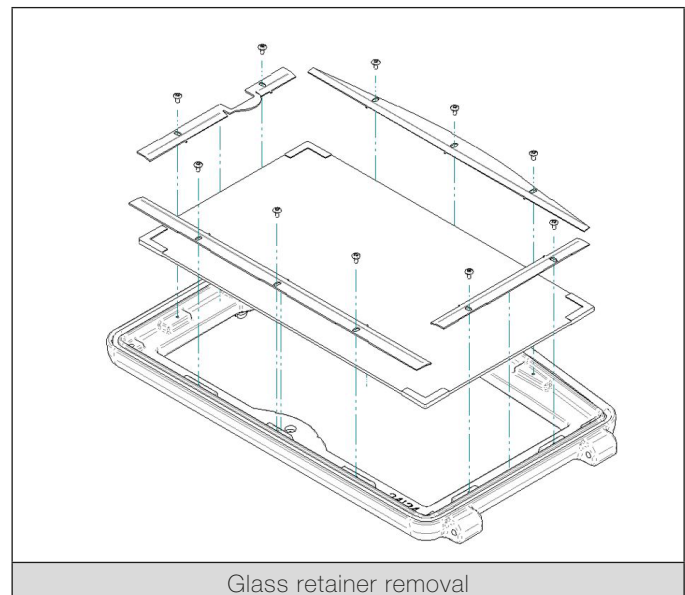
**DO NOT USE THE STOVE IF THE GLASS IS MISSING, CRACKED OR BROKEN.**

## Replacing the Glass

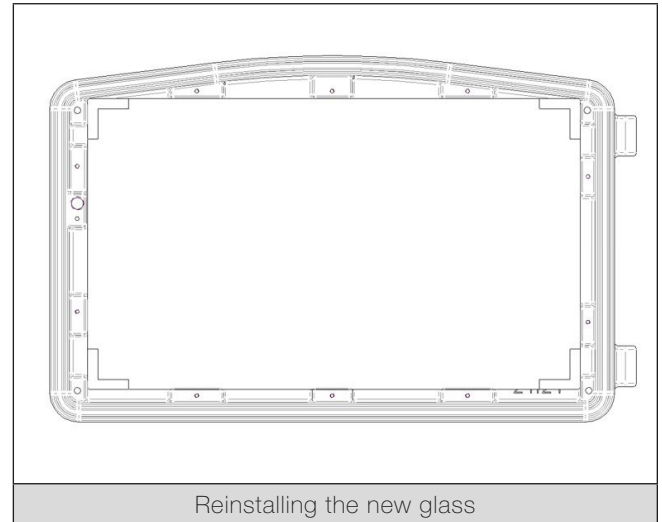
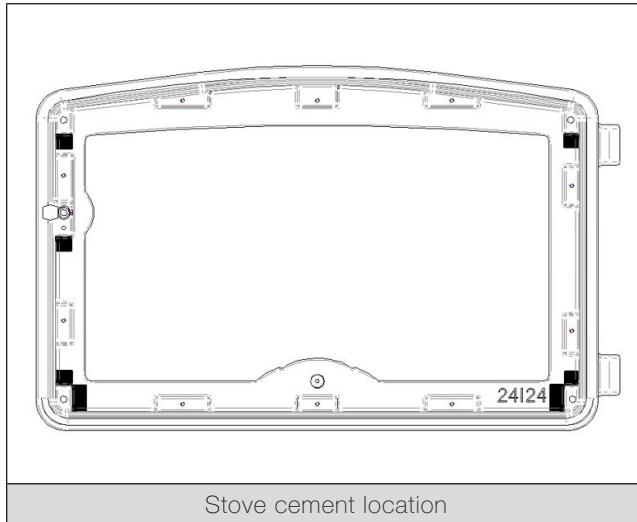
1. Remove the door and place it on a table, face-down on something soft like a cushion of rags or piece of carpet
2. Remove the 10 screws holding the door glass retainers and carefully remove any loose pieces of glass from the doorframe. Dispose of all broken glass properly. A broken glass should be replaced with a 13 7/8" x 8 5/8" ceramic glass, 5 mm thick.



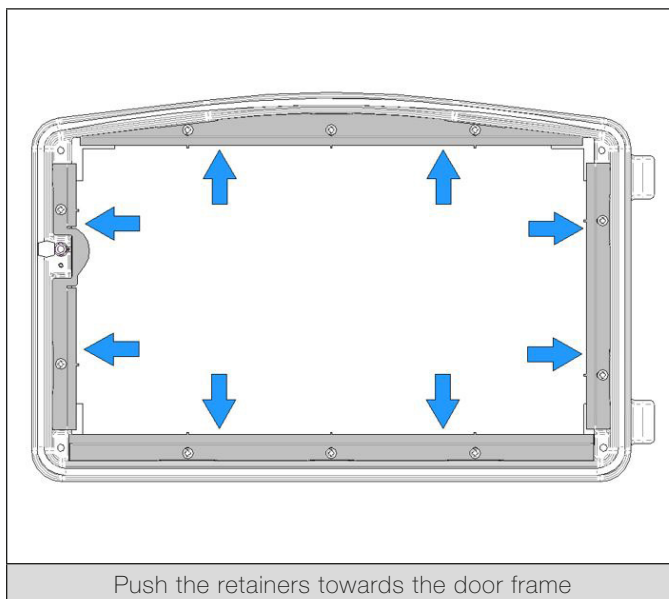
**ALWAYS WEAR GLOVES WHEN HANDLING BROKEN GLASS.**



3. Remove the stove cement in the door corners (see dark spots in the figure below). When done, reinstall the new glass.



5. Put stove cement in the door corners, as shown on the image above.
6. Reinstall the glass door retainers making sure the stove cement is pressed down by the retainers. Push the retainers towards the door frame to make sure there is no gag between the retainers and the door frame and screw them in place. Do not over-tighten the screws as this will make the glass crack under strong heat.



8. Reinstall the door and wait 24 hours before using the stove again.

*The replacement glass must be purchased only from an authorized dealer. Tempered glass or ordinary glass is not suitable for high temperatures.*

*When changing the glass, make sure that the glass gaskets are in the same place as the originals to maintain proper operation of the airwash system of the glass.*

## Maintaining Door Gasket

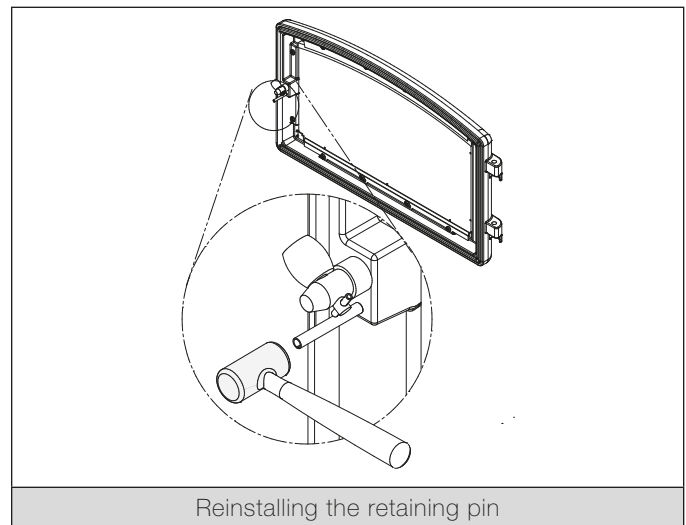
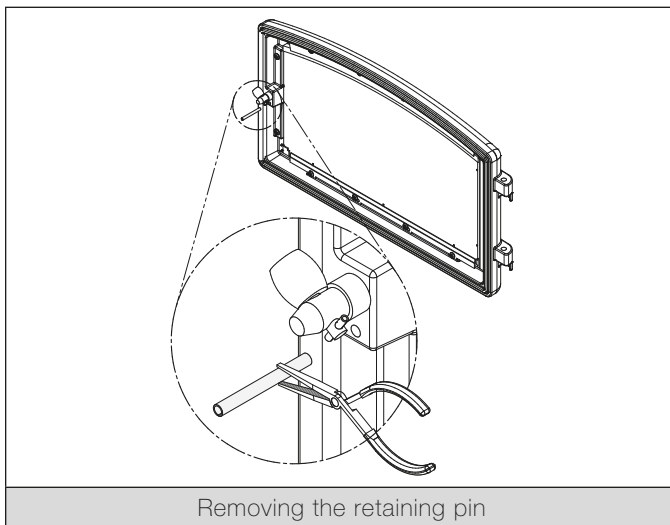
The door gasket must be kept in good condition. After a while, the gasket wears out and compresses. An adjustment of the door may then be necessary (see section «Adjusting the door»). If door adjustment is not sufficient, the door gasket must be replaced with an original gasket.

If the stove door does not close tightly, it will be difficult to keep the glass clean and the flue gases could leak into the room.

## Adjusting the Door

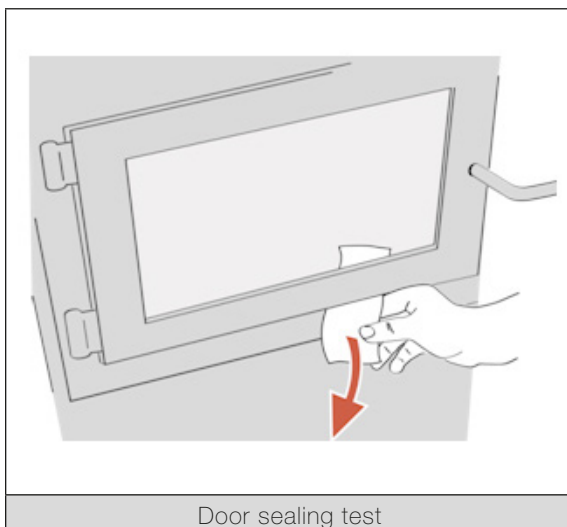
In order to achieve optimal performance, the door must be completely sealed with the combustion chamber. The gasket must therefore be inspected periodically in order to obtain an airtight fit. The sealing can be improved with a simple adjustment of the latch mechanism.

Remove the retaining pin by pulling and turning with a pair of pliers. Turn the handle one turn counterclockwise to increase the pressure between the door frame and the stove structure. Reinstall the retaining pin using a hammer.

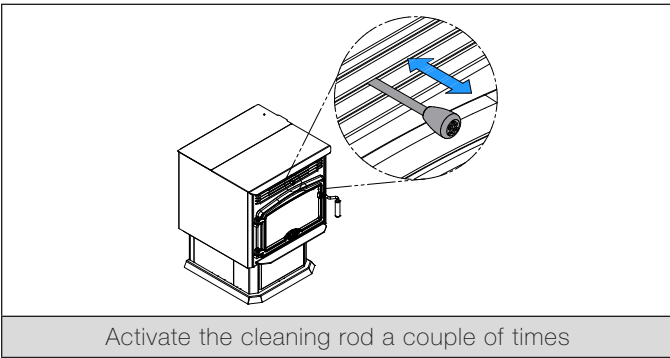


## Verifying the Door Seal

Test the door seal by closing and latching the door on a strip of paper. Test all around the door. The paper should not slip out easily. If it does, see the maintenance section in the operation manual.

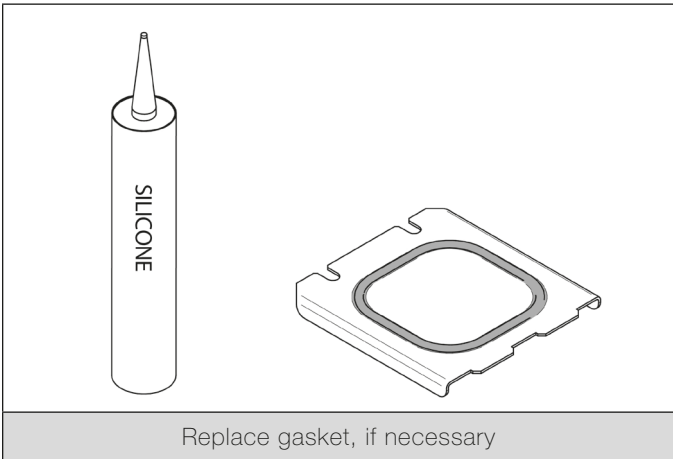
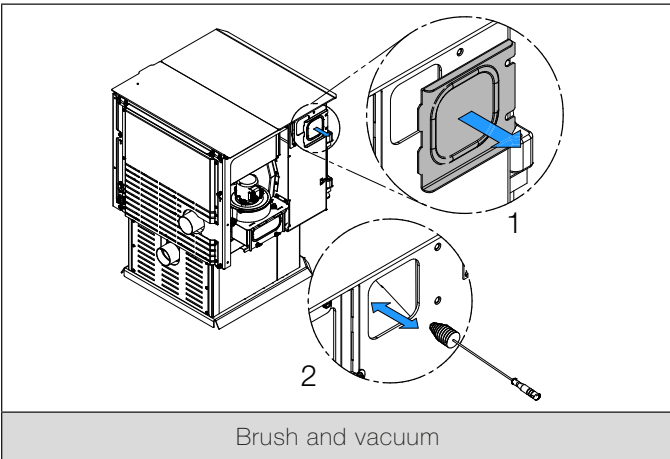
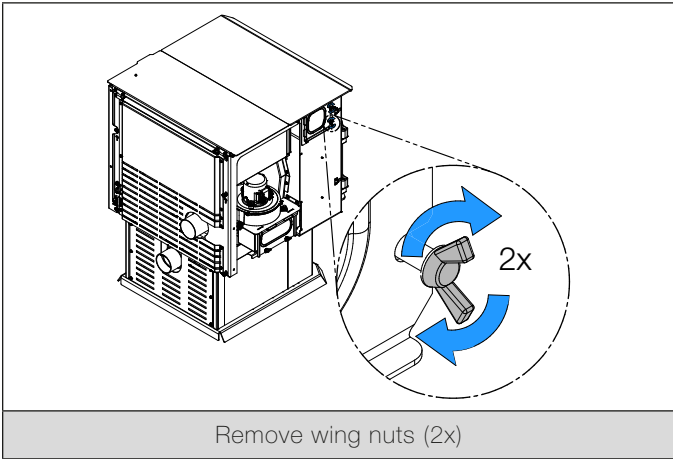
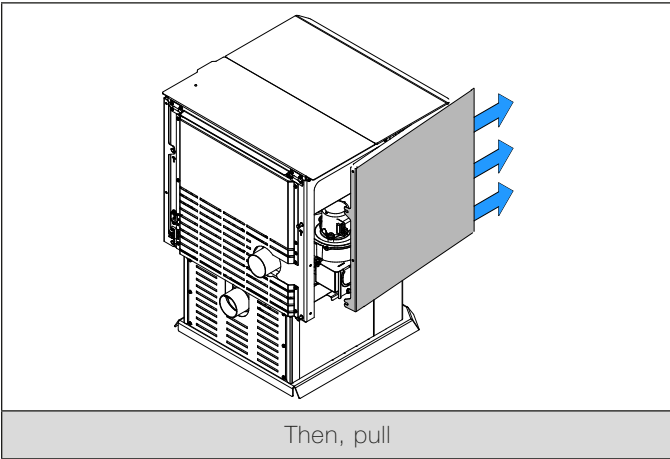
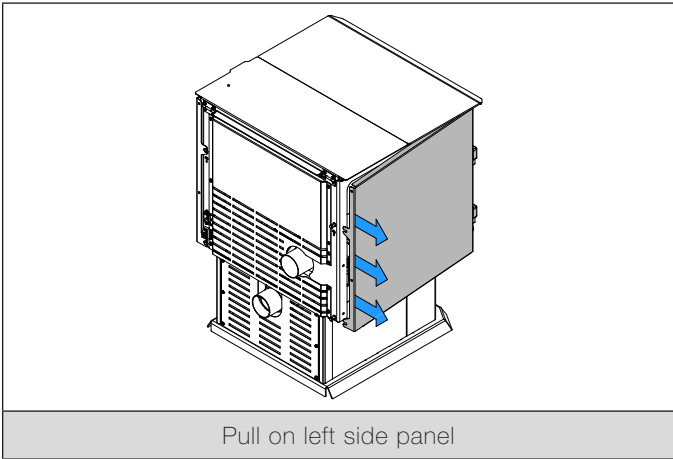
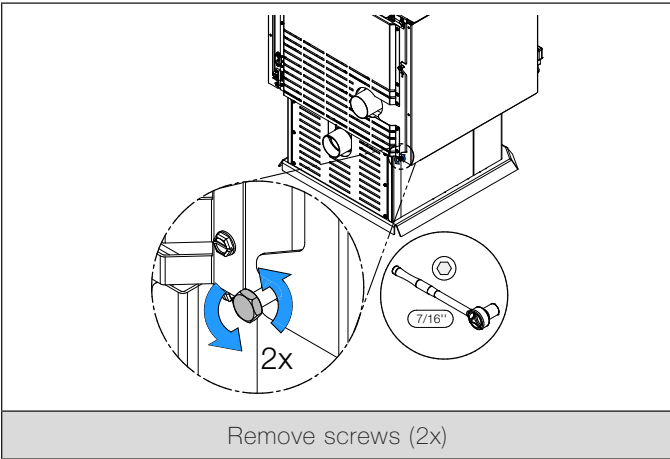


# Heat Exchangers and Exhaust Channels

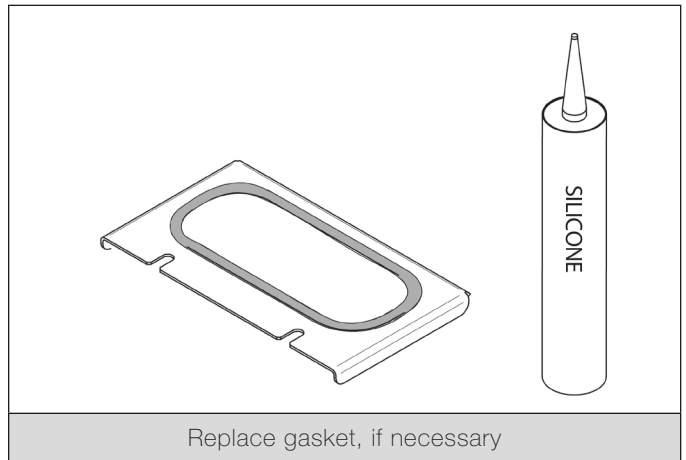
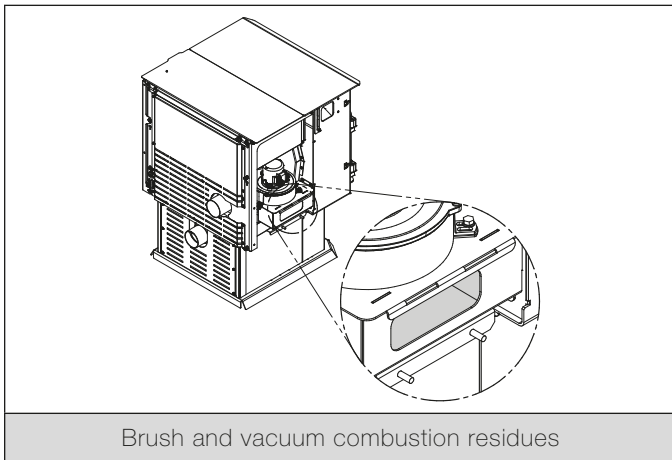
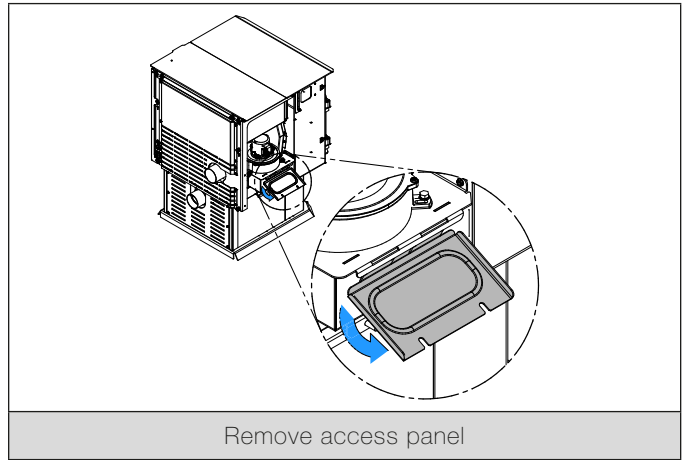
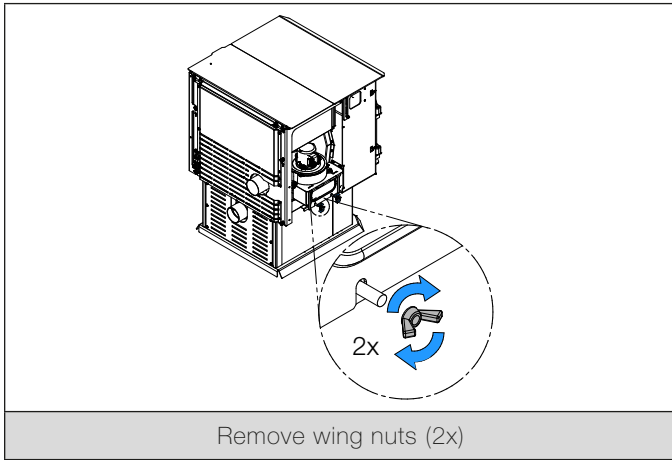


Brush and vacuum inside the heat exchanger channel, when necessary.

ENGLISH

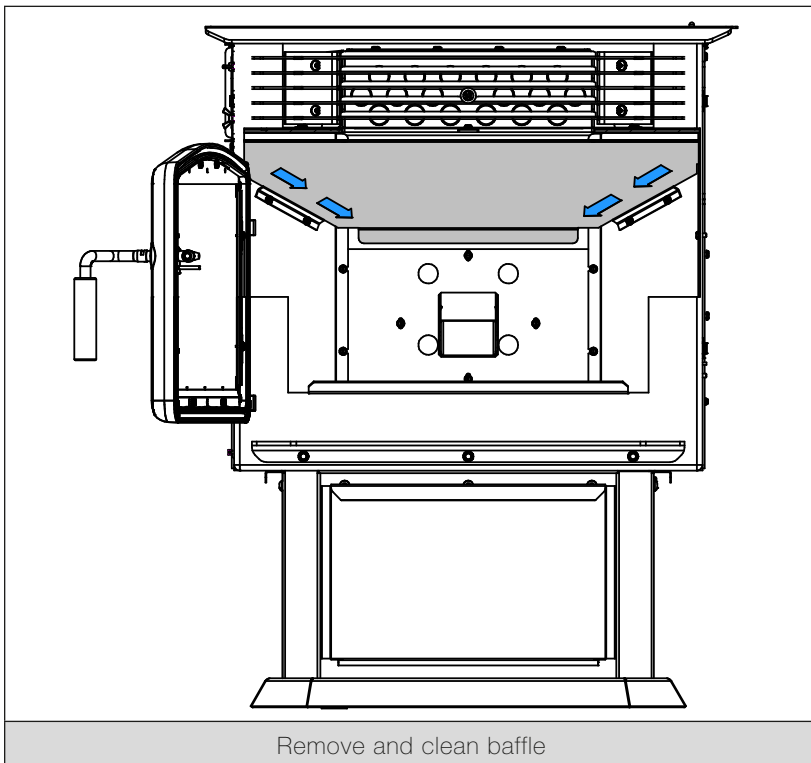


Brush and vacuum inside the exhaust channel, when necessary.



## Baffle

Remove and clean baffle. Don't forget to put it back in place.



## Maintaining the Venting System

### **REGULARLY INSPECT THE VENTING SYSTEM, GASKETS AND OTHER SEALING PARTS TO PREVENT SMOKE AND COMBUSTION GASES FROM ESCAPING.**

Sweeping the vent system can be difficult and dangerous. For inexperienced people, it is best to hire a professional chimney sweep to inspect and clean the system.

For an experienced person who would like to perform the sweeping himself, the most effective method is to use a 3" or 4" brush, depending on the installation. Start at the top of the vent system and brush down, so that the ash, soot and creosote residues come off the inner surface and fall into the bottom of the venting system, where they can be removed easily.

The venting system must be maintained in good condition and well maintained.

### **IF A SIGNIFICANT LAYER OF CREOSOTE HAS ACCUMULATED (3 MM (1/8") OR MORE), IT MUST BE REMOVED IMMEDIATELY TO ELIMINATE CHIMNEY FIRE HAZARD.**

#### *Facing a Chimney Fire*

1. Evacuate family members and animals from the building, and then call the fire department.
2. Turn off the unit. **Do not unplug it!**
3. If possible, use a chemical fire extinguisher, baking soda or sand to control the fire. Do not use water as this may cause hazardous vapor explosions.
4. Do not use the stove until the venting system and the stove have been inspected by a qualified chimney sweeper or fire inspector.

#### *Fly Ash and Soot*

Combustion products contain small particles of fly ash. Fly ash can accumulate particularly in the horizontal sections of exhaust pipe and restrict the flow of combustion gases. Incomplete combustion during start-up, shut-down or improper use of the stove will cause soot to build up in the exhaust system. **The exhaust system must be inspected at least twice a year to determine if sweeping is required.**



## TROUBLESHOOTING

Most common problems are generally caused by one or many of the following factors:

1. Wrong operation or lack of maintenance;
2. Bad installation;
3. Poor quality combustible;
4. Component failure;

The stove is equipped with a PC board which informs the user when a problem occurs. It is therefore important not to unplug the stove when it is in operation, as it will be impossible to see the message and correct the problem. In addition, **unplugging the stove will disable all the safety functions.**

*In order to obtain a fast and personalized service, the manufacturer's model number and serial number must be provided when contacting the retailer or manufacturer. (This information can be found on the name plate inside the hopper lid).*

### Main Error Codes

This section contains the main error codes, possible causes and solutions. **Visit our website [www.osburn-mfg.com/en/products/pellet-stoves/](http://www.osburn-mfg.com/en/products/pellet-stoves/) to download the detailed troubleshooting guide.**

After an error code appears, the stove will stop by itself and begin a cooling cycle. To restart the stove, press the «RESET» button and then the «MODE» button. The stove will restart only when the cooling cycle is completed.



#### CODE P

The flue is blocked. One of the following components is obstructed or blocked by ashes or by a foreign object : air intake shutter, combustion blower, burn pot, heat exchangers and exhaust channels, exhaust blower or venting system. Refer to the «[Maintenance](#)» section.

The venting system is not properly installed. The venting system must comply with the installation manual and with the venting system manufacturer's instructions.

A back draft occurred inside the flue. This can occur on a very windy day or if the venting system does not have a proper termination.

#### CODE E

The stove ran out of pellets. Fill the hopper.

The holes in the burn pot are clogged. Remove and clean the burn pot. The holes must not be obstructed. Refer to the «[Maintenance](#)» section.

The auger is jammed or there is a faulty motor. Test the motor. Refer to the «Testing a Component» technical sheet on our web site. During testing, the hopper lid must be closed. If one the motor does not seem to be working, either it is defective or the auger is jammed.

Faulty thermistor. When the stove is cold, press on «+» and «AUGER» to display the temperature. Displayed temperature must be the ambient one. If this is the case, turn the stove on. After 10 minutes, if the value has not increased, the thermistor is disconnected or defective.

### CODE L

The holes in the burn pot are clogged. Remove and clean the burn pot. The holes must not be obstructed. Make sure the tube around the igniter is not filled with ash. Refer to the «[Maintenance](#)» section.

Poor quality combustible. The fuel use must be of good quality. Refer to the «[Fuel](#)» section.

Defective ignitor. Test ignitor. Refer to the technical sheet «Testing a component» on our web site. If it works properly, the tip should be glowing red in less than two minutes.

Faulty thermistor. When the stove is cold, press on «+» and «AUGER» to display the temperature. Displayed temperature must be the ambient one. If this is the case, turn the stove on. After 10 minutes, if the value has not increased, the thermistor is disconnected or defective.

### CODE H

*The main cause of a stove overheating is lack of maintenance. Any overheating code should be followed by **thorough maintenance** of the unit and a **venting system inspection**.*

The overheating code may also appear if the burn pot or the baffle is not installed correctly, or if the convection fan is defective.

After three repetitions of an overheating code, it will not be possible to restart the stove.



Before unlocking the stove, do the biannual maintenance suggested in the maintenance schedule. Carefully inspect the venting system. Have it swept, if necessary.

For more information, see the «[signs of an overheating stove](#)».

### CODE d

The hopper lid remained open for more than 90 seconds. As a safety measure, the auger stops feeding pellets as soon as the hopper lid opens. It will resume normal operation as soon as the lid is closed. If the lid remains open for more than 90 seconds, the stove stops.

The hopper lid switch is faulty or improperly connected. Test the switch. See the technical data sheet «Checking the Status and Testing a Component» on our web site. If the switch does not work, it may be faulty or improperly connected.

### CODE C

The current was interrupted during operation. After the cooling cycle, the stove restarts using the last settings. For short-term power failure (less than 5 seconds), the stove will continue to operate at the selected speed.

### Other possible error codes

CODE	DESCRIPTION
n	Reverse polarity in the socket. This error does not prevent the stove from operating normally but the polarity should be corrected by a certified electrician.
FE	The exhaust blower fuse is defective.
FL	The ignitor fuse is defective.
FC	The convection blower fuse is defective.
FV	The auger fuse is defective.
FB	The combustion blower fuse is defective.

For a detailed troubleshooting guide and component replacement data sheets, visit our product web page at [www.osburn-mfg.com/en/products/pellet-stoves/.ca](http://www.osburn-mfg.com/en/products/pellet-stoves/.ca)

## OSBURN LIMITED LIFETIME WARRANTY

The warranty of the manufacturer extends only to the original retail purchaser and is not transferable. This warranty covers brand new products only, which have not been altered, modified nor repaired since shipment from factory. Proof of purchase (dated bill of sale), model name and serial number must be supplied when making any warranty claim to your OSBURN dealer.

**This warranty applies to normal residential use only. Damages caused by misuse, abuse, improper installation, lack of maintenance, over firing, negligence or accident during transportation, power failures, downdrafts, venting problems or under-estimated heating area are not covered by this warranty. The recommended heated area for a given appliance is defined by the manufacturer as its capacity to maintain a minimum acceptable temperature considering that the space configuration and the presence of heat distribution systems have a significant impact in making heat circulation optimum.**

This warranty does not cover any scratch, corrosion, distortion, or discoloration. Any defect or damage caused by the use of unauthorized or other than original parts voids this warranty. An authorized qualified technician must perform the installation in accordance with the instructions supplied with this product and all local and national building codes. Any service call related to an improper installation is not covered by this warranty.

The manufacturer may require that defective products be returned or that digital pictures be provided to support the claim. Returned products are to be shipped prepaid to the manufacturer for investigation. Transportation fees to ship the product back to the purchaser will be paid by the manufacturer. Repair work covered by the warranty, executed at the purchaser's domicile by an authorized qualified technician requires the prior approval of the manufacturer. All parts and labour costs covered by this warranty are limited according to the table below.

The manufacturer, at its discretion, may decide to repair or replace any part or unit after inspection and investigation of the defect. The manufacturer may, at its discretion, fully discharge all obligations with respect to this warranty by refunding the wholesale price of any warranted but defective parts. The manufacturer shall, in no event, be responsible for any uncommon, indirect, consequential damages of any nature, which are in excess of the original purchase price of the product. A one-time replacement limit applies to all parts benefiting from lifetime coverage. This warranty applies to products purchased after June 1<sup>st</sup>, 2015.

DESCRIPTION	WARRANTY APPLICATION*	
	PARTS	LABOUR
Combustion chamber (welds only**), heat exchanger (welds only**), and cast iron door frame.	Lifetime	5 years
Surrounds, heat shields, ash drawer, legs, pedestal, trims (aluminum extrusions), plating (defective manufacture**), and ceramic glass (thermal breakage only**).	Lifetime	N/A
Glass retainers, handle assembly, cleaning rod, air control mechanism, and auger.	5 years	1 year
Removable stainless steel components, burn pot, deflectors, supports, and baffle.	5 years	N/A
Blowers, auger motor, PC board, igniter, heat sensors, rheostat, wiring, and other controls.	2 years	1 year
Paint (peeling**), gaskets, insulation, masonry-like panels**, ceramic logs**, and other options.	1 year	N/A
All parts replaced under the warranty.	90 days	N/A

*\*Subject to limitations above. \*\*Picture required.*

Labour cost and repair work to the account of the manufacturer are based on a predetermined rate schedule and must not exceed the wholesale price of the replacement part.

Shall your unit or a components be defective, contact immediately your **OSBURN** dealer. To accelerate processing of your warranty claim, make sure to have on hand the following information when calling:

- Your name, address and telephone number;
- Bill of sale and dealer's name;
- Installation configuration;
- Serial number and model name as indicated on the nameplate fixed to the back of your unit;
- Nature of the defect and any relevant information.

**Before shipping your unit or defective component to our plant, you must obtain an Authorization Number from your OSBURN dealer. Any merchandise shipped to our plant without authorization will be refused automatically and returned to sender.**



This document is available for free download on the manufacturer's website. It is a copyrighted document. Resale is strictly prohibited. The manufacturer may update this document from time to time and cannot be responsible for problems, injuries, or damages arising out of the use of information contained in any document obtained from unauthorized sources.



Stove Builder International inc.  
250, rue de Copenhague,  
St-Augustin-de-Desmaures (Québec) Canada  
G3A 2H3  
418-908-8002  
[www.osburn-mfg.com](http://www.osburn-mfg.com)  
[tech@sbi-international.com](mailto:tech@sbi-international.com)



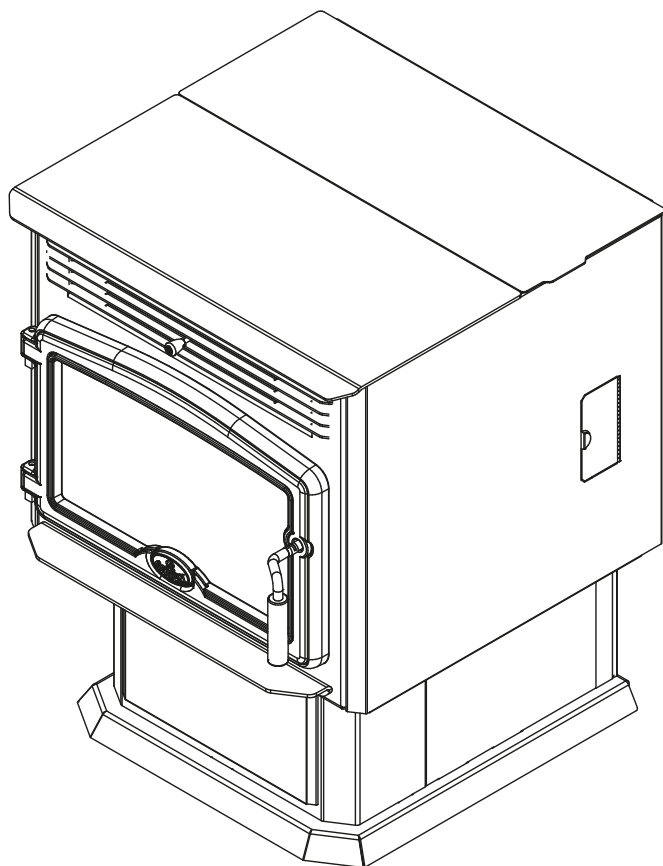
AU-DELA  
du feu



# Manuel d'opération

## 2500

(modèle OP00025)



Essais de sécurité faits conformément  
aux normes ULC S627, UL 1482  
et ASTM E1509 par un laboratoire  
accrédité.



**L'INSTALLATION PAR UN  
PROFESSIONNEL EST  
FORTEMENT RECOMMANDÉE**

CONTACTEZ LE SERVICE MUNICIPAL DU BÂTIMENT OU DES INCENDIES POUR CONNAÎTRE LES RESTRICTIONS ET LES EXIGENCES D'INSPECTION ET D'INSTALLATION DANS VOTRE RÉGION.

LISEZ CE MANUEL AU COMPLET AVANT L'INSTALLATION DE CE POÊLE. IL EST IMPORTANT DE RESPECTER INTÉGRALEMENT LES DIRECTIVES D'INSTALLATION. SI LE POÊLE N'EST PAS INSTALLÉ CORRECTEMENT, IL PEUT EN RÉSULTER UN INCENDIE, DES BLESSURES CORPORELLES OU MÊME LE DÉCÈS.

**LIRE LE PRÉSENT MANUEL ET LE CONSERVER POUR CONSULTATION**

## RECOMMANDATIONS

Il est fortement recommandé que cet appareil de chauffage soit **installé par un professionnel certifié** aux États-Unis par le NFI (National Fireplace Institute®) ou au Canada par WETT (Wood Energy Technology Transfer) ou au Québec par l'APC (Association des Professionnels du Chauffage).

**Lorsque l'appareil n'est pas installé correctement, les matériaux combustibles à proximité peuvent surchauffer et s'enflammer.** Pour réduire les risques d'incendies, suivre les instructions d'installation de ce manuel soigneusement. Consulter le code du bâtiment local ou contacter le service des incendies pour connaître les restrictions et les exigences d'inspection et d'installation de la région. Il est également recommandé d'aviser la compagnie d'assurance habitation.

Il se peut qu'un permis soit requis pour l'installation du poêle et du système d'évent sur lequel il est branché.

**Lire ce manuel au complet avant d'opérer cet appareil.**

## CONSIGNES DE SÉCURITÉ

FRANÇAIS

### DANGER



**CHAUD LORSQU'EN FONCTION. TENIR LES ENFANTS, LES VÊTEMENTS ET LES MEUBLES ÉLOIGNÉS. TOUT CONTACT AVEC LA PEAU PEUT CAUSER DES BRÛLURES.**

L'utilisation d'un poêle avec des composants fissurés ou brisés, comme la vitre ou le coupe-feu pourrait causer une situation dangereuse et pourrait endommager le poêle.

La porte du poêle doit demeurer fermée et enclenchée pendant l'utilisation. Le panneau d'accès du tiroir à cendre doit également être fermé pendant l'utilisation.

Un détecteur de fumée, un détecteur de monoxyde de carbone ainsi qu'un extincteur devraient être installés dans la maison. L'emplacement de l'extincteur devrait être connu de tous les membres de la famille.

**Ne pas désactiver les capteurs et les interrupteurs de sécurité.**



**AVERTISSEMENT:** Ce produit peut vous exposer à des agents chimiques, y compris du monoxyde de carbone, identifiés par l'État de la Californie comme pouvant causer le cancer ou des malformations congénitales et autres troubles de l'appareil reproducteur. Pour de plus amples informations, prière de consulter le [www.P65warnings.ca.gov](http://www.P65warnings.ca.gov)

## INFORMATIONS GÉNÉRALES

Il est fortement recommandé d'acheter ce produit chez un détaillant pouvant fournir des conseils sur son installation et son entretien.

**Le poêle ne fonctionne pas sans électricité.** Si une panne électrique se produit, vérifier si de la fumée s'échappe du poêle. Ouvrir une fenêtre préviendra une pression négative et un épanchement de fumée dans la maison.

Ce poêle a été conçu et développé pour être utilisé comme **chauffage d'appoint résidentiel**. Un usage commercial ou industriel est interdit et annulera la garantie.



**Une source de chauffage primaire doit être disponible dans la résidence. Cet appareil de chauffage doit être utilisé comme chauffage d'appoint.** Le fabricant ne peut être tenu responsable des coûts du chauffage additionnel pouvant être engendrés par une source de chauffage alternative.

Ce poêle doit être branché dans une prise standard de 120V / 60Hz, avec mise à la terre. Ne pas utiliser de rallonge électrique ou d'adaptateur de prise électrique. Ne pas endommager ou enlever la mise à la terre. Ne jamais faire passer le cordon d'alimentation électrique en avant, au-dessus ou en dessous du poêle.

Il est important qu'une quantité d'oxygène suffisante soit apportée au feu pour une bonne combustion. Durant la saison hivernale, s'assurer que la prise d'air frais n'est pas obstruée (glace, neige, etc.) car cela privera le feu d'air et empêchera le bon fonctionnement du poêle.

L'utilisation de composants provenant d'autres appareils ou la modification des composants actuels du poêle sont interdites et annuleront la garantie.

Toute modification de l'appareil qui n'a pas été approuvée par écrit par l'autorité d'homologation ou le fabricant est interdite et viole les normes CSA B365 (Canada) et NFPA 211 (É.-U.).

SBI - Fabricant de poêles international inc. n'assume aucune garantie implicite ou explicite liée à la mauvaise installation de l'appareil et n'assume aucune responsabilité pour tout dommage qui en résulterait.

Ce poêle à granules est certifié conforme à la norme 2015 d'émission de particules. Il n'est pas approuvé pour être vendu après le 15 mai 2020.

### ENREGISTRER VOTRE GARANTIE EN LIGNE

Si votre appareil requiert des réparations pendant la période de garantie, vous devrez présenter une preuve d'achat. Conserver la preuve d'achat. La date indiquée sur ces documents établit la période de garantie. Si celle-ci ne peut être présentée, la période de garantie sera déterminée selon la date de fabrication du produit.

Nous vous recommandons également d'enregistrer votre garantie en ligne au

<https://www.osburn-mfg.com/fr/garantie/enregistrement-garantie/>

L'enregistrement de votre garantie nous aidera à trouver rapidement les informations requises sur votre appareil.

## ACCESSOIRES ET OPTIONS DISPONIBLES

- Extension de trémie ;
- Ensemble d'entrée d'air frais ;
- Thermostat mural ;
- Contrôle à distance thermostatique ;
- Protection de plancher en verre ;

Pour plus de détails, consulter le site web [www.osburn-mfg.com](http://www.osburn-mfg.com) ou se référer à un marchand autorisé.

# TABLE DES MATIÈRES

Recommandations .....	32
Consignes de sécurité .....	32
Informations générales .....	32
Accessoires et options disponibles.....	33
Spécifications .....	36
Plaque d'homologation .....	37
<b>Combustibles.....</b>	<b>38</b>
Granules recommandés .....	38
Entreposage .....	38
<b>Contrôles de l'appareil .....</b>	<b>39</b>
<b>Opération de l'appareil.....</b>	<b>40</b>
Avant de démarrer l'appareil .....	40
Premier allumage / Début de saison .....	41
Démarrage quotidien .....	41
Manque de granules .....	41
Procédure d'arrêt .....	42
Les signes de surchauffe .....	42
<i>Sélection du mode pilot.....</i>	<i>43</i>
Ajustement de la vitesse de l'air de convection.....	43
Ajustement de l'entrée d'air .....	44
<b>Entretien.....</b>	<b>45</b>
Calendrier d'entretien .....	45
Équipements recommandés .....	46
Enlèvement des cendres .....	46
Pot de combustion .....	47
Chambre à combustion.....	47
Entretien de la vitre.....	48
Remplacer la vitre.....	48
Entretien du cordon de porte .....	49
Ajustement de la porte.....	50
Vérification de l'étanchéité de la porte .....	50
Échangeur de chaleur et canalisation d'évacuation.....	51
Coupe-feu .....	52
Entretien du système d'évent .....	53
<i>Faire face à un feu de cheminée .....</i>	<i>53</i>
<i>Cendres volantes et suie.....</i>	<i>53</i>

<b>DÉPANNAGE</b> .....	<b>54</b>
Principaux codes d'erreur .....	54
<i>CODE P</i> .....	54
<i>CODE E</i> .....	54
<i>CODE L</i> .....	55
<i>CODE H</i> .....	55
<i>CODE d</i> .....	55
<i>CODE C</i> .....	56
<i>Autres codes d'erreur possibles</i> .....	56

## SPÉCIFICATIONS

Modèle	2500 (OP00025)
Type de combustible <sup>1</sup>	Granules de bois (Premium ou supérieur)
Superficie de chauffage recommandée (pi <sup>2</sup> ) <sup>2</sup>	500 - 2,000 pi <sup>2</sup> (46 - 186 m <sup>2</sup> )
Capacité de la trémie	60 lb (27,3 kg)
Temps de combustion maximal <sup>2</sup>	51 heures
Diamètre de cheminée recommandé	3 po. ou 4 po. selon la LEE <sup>1</sup> .
Diamètre de la buse de raccordement	3 po. (76 mm)
Type de Cheminée	ULC/ORD-C441, CAN/ULC S609 UL 641 (TYPE L)
Approuvé pour installation en alcôve	Oui
Approuvé pour installation en maison mobile <sup>3</sup>	Oui
Poids à l'expédition (sans option)	286 lb (130 kg)
Poids de l'appareil (sans option)	253 lb (115 kg)
Matériel du coupe-feu	Acier inoxydable
Type de porte	Simple, vitrée, avec cadre de fonte
Type de vitre	Verre céramique
Ventilateur	Inclus (176 PCM)
Niveau de bruit à 6 pieds	47 dBa (+/- 3 dBa) 60 dBa (+/- 3 dBa)


<sup>1</sup> Niveau de qualité déterminé par des organismes tels que Pellet Fuels Institute (PFI), ENplus ou CANplus.

<sup>2</sup> La superficie de chauffage recommandée et le temps de combustion maximal peuvent varier selon la localisation de l'appareil dans l'habitation, la qualité du tirage de la cheminée, le climat, les facteurs de perte de chaleur, le type de combustible utilisé, le débit d'alimentation, le niveau de granules et d'autres variables. La superficie de chauffage recommandée pour un appareil est définie par le fabricant comme sa capacité à conserver une température minimale acceptable considérant que la configuration de l'espace ou la présence de système de distribution d'air ont un impact important sur la distribution optimale de la chaleur.

<sup>3</sup> Maison mobile (Canada) ou maison préfabriquée (É.-U.) : Le département américain du logement et du développement urbain décrit «maisons préfabriquées» mieux connues pour «maisons mobiles» comme suit ; bâtiments construits sur des roues fixes et ceux transportés sur des roues/essieux temporaires installées sur une fondation permanente. Au Canada, une maison mobile est une habitation dont l'assemblage de chaque composante est achevé ou achevé en grande partie avant le déplacement de celle-ci jusqu'à un emplacement pour y être placée sur des fondations, raccordé à des installations de service et qui rencontre la norme CAN/CSA-Z240 MH.

# Plaque d'homologation

Puisque les informations inscrites sur la plaque d'homologation de l'appareil ont toujours préséance sur les informations contenues dans tout autre média publié (manuels, catalogues, circulaires, revues ou sites web), il est important de s'y référer afin d'avoir une installation sécuritaire et conforme. De plus, des informations importantes concernant le poêle s'y trouvent (modèle, numéro de série, etc.). La plaque d'homologation se trouve à l'intérieur du panneau de la trémie.



**Intertek**  
Control number: 4002461  
STANDARDS / NORMES D'ESSAI:  
Conforms to/Conforme à ASTM Std. E1509  
Certified to/Certifié selon UL Std. 5627  
Conforms to/Conforme à UL Std. 1482  
CSA B415.1-10

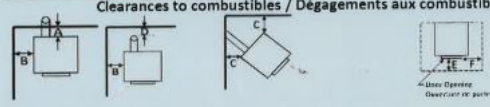
**LISTED SOLID FUEL BURNING APPLIANCE**  
**POÊLE À COMBUSTIBLE SOLIDE**  
**HOMOLOGUÉ**  
**MODEL / MODÈLE :**  
**OSBURN 2500**

Serial Number / No. de Série: 1

Serial Number / No. de Série: 1


---

**Clearances to combustibles / Dégagements aux combustibles**



A: 3 in./po. (76 mm) B: 6 in./po. (152 mm) C: 3 in./po. (76 mm) E: 6 in./po. (152 mm) CANADA / USA  
D: See Vent manufacturer F: 6 in./po. (152 mm) CANADA / USA

Floor protection / Protection de plancher



---

Electrical rating / Alimentation électrique: 115 V, 60 Hz, 1.36 amp.  
Maximum input rating / Régime maximal: 4.7 lbs/hr

**PREVENT HOUSE FIRES**


- Install with a four (4) inches diameter exhaust venting system listed to UL103/ULC 5629 or UL641/ULC 5609.
- In case of an exhaust system passing through a combustible wall, follow manufacturer's instructions and refer to local building codes.
- Keep viewing and ash removal doors tightly closed during operation.
- Room heater, pellet fuel-burning type, also for use in mobile homes.
- Install and use only in accordance with manufacturer's instructions.
- Contact local building or fire officials about restrictions and installation inspection in your area.
- For use with premium grade wood pellets or better as determined by organizations such as Pellet Fuels Institute (PFI), Enplus and CANplus. Burning other types of pellets is not permitted. See owner's manual for more details.
- Do not connect to a chimney flue serving another appliance.
- Inspect and clean chimney frequently. Under certain conditions of use, creosote buildup may occur rapidly.
- Replace with ceramic glass only.
- The unit must be installed on a non-combustible floor pad extending at least 6 inches (152 mm) in front of the door opening and at least 6 inches (152 mm) on each side of the door opening. The floor pad must have a thickness of at least 0.015" (0.38mm). Consult owner's manual for more details.
- A source of fresh air must be provided to the room. When installed in a mobile-home, air from outdoors must be provided.
- Do not obstruct combustion air opening.

Minimum floor to ceiling distance: 48 in. (122 cm)  
Distance minimale plafond-plancher: 48 po. (122 cm)

**PRÉVENEZ LES INCENDIES**


- Installer avec un tuyau d'évacuation de trois (3) pouces homologué selon la norme UL 103/ULC 5629 ou UL 641/ULC 5609.
- Si le tuyau d'évacuation doit traverser un mur combustible, suivre les instructions du fabricant et se référer aux codes du bâtiment locaux.
- Garder la porte du poêle et celle du cendrier fermées lorsque en opération.
- L'unité de chauffage aux granulés peut aussi être installée dans une maison mobile.
- Observer les directives du fabricant pour l'installation et l'utilisation du poêle.
- Contacter les autorités locales pour les restrictions d'installation dans votre secteur.
- Pour utilisation avec granulés de bois de qualité premium ou mieux tel que déterminée par des organismes tels que Pellet Fuels Institute (PFI), Enplus ou CANplus. Brûler d'autres types de granulés n'est pas permis. Voir manuel d'instruction pour plus de détails.
- Ne pas raccorder à un conduit de fumée servant déjà pour un autre appareil.
- Inspecter et nettoyer la cheminée fréquemment. Sous certaines conditions, la formation de créosote peut être rapide.
- Remplir par un verre céramique seulement.
- L'appareil doit être installé sur une plaque incombustible qui excède de devant l'ouverture de porte d'au moins 6 pouces (152 mm) ainsi que chaque côté de l'ouverture de porte d'au moins 6 pouces (152 mm). La plaque incombustible doit posséder une épaisseur minimale de 0.015" (0.38 mm). Consultez le manuel d'instructions pour plus de détails.
- Il doit y avoir un apport d'air frais dans la pièce. Lorsqu'installé dans une maison mobile, un apport d'air extérieur doit être installé.
- Ne pas obstruer les ouvertures d'air de combustion.
- Cet appareil de chauffage requiert des inspections et réparations périodiques. Consulter le manuel de l'utilisateur pour plus d'information. Opérer cet appareil de chauffage de façon inconsistente par rapport au manuel de l'utilisateur consiste une violation de la loi fédérale (É.-U.).

---



This wood heater needs periodic inspection and repair for proper operation. Consult the owner's manual for further information. It is against US federal regulations to operate this wood heater in a manner inconsistent with the operating instructions in the owner's manual.


Made in St-Augustin-de-Desmaures (Qc), Canada  
09/08/2017 (# test)



Fabrique à St-Augustin-de-Desmaures (Qc), Canada  
09/08/2017 (# test)

27703

Fabricant de poêles international  
Stove Builder International



**Intertek**  
Control number: 4002461  
STANDARDS / NORMES D'ESSAI:  
Conforms to/Conforme à ASTM Std. E1509  
Certified to/Certifié selon UL Std. 5627  
Conforms to/Conforme à UL Std. 1482  
CSA B415.1-10

**LISTED SOLID FUEL BURNING APPLIANCE**  
**POÊLE À COMBUSTIBLE SOLIDE**  
**HOMOLOGUÉ**  
**MODEL / MODÈLE :**  
**OSBURN 2500**

Serial Number / No. de Série: 1

Serial Number / No. de Série: 1

---

U.S. ENVIRONMENTAL PROTECTION AGENCY Certified to comply with 2020 particulate emission standards.  
AGENCE DE PROTECTION DE L'ENVIRONNEMENT DES É.U. (EPA). Conforme aux normes d'émission de particules de 2020.  
Weighted average emission rate / Moyenne pondérée des émissions: 0.96 g/h  
When tested in accordance with / Lorsque testé selon: ASTM E2515 & ASTM E2779

---


**CAUTION**

- HOT WHILE IN OPERATION.
- DO NOT TOUCH. KEEP CHILDREN, CLOTHING AND FURNITURE AWAY.
- CONTACT MAY CAUSE SKIN BURNS. SEE NAME-PLATE AND INSTRUCTIONS.
- OPERATE THIS UNIT ONLY WITH THE FUEL HOPPER LID CLOSED. FAILURE TO DO SO MAY RESULT IN EMISSION OF PRODUCTS OF COMBUSTION FROM THE HOPPER UNDER CERTAIN CONDITIONS.
- DO NOT OVERFILL THE HOPPER.
- MOVING PARTS MAY CAUSE INJURY.
- HOT PARTS. DO NOT OPERATE UNIT WITH THE SIDE OR REAR PANELS REMOVED.
- MAINTAIN HOPPER SEAL IN GOOD CONDITION.

**ATTENTION**

- CHAUD EN FONCTIONNEMENT.
- NE PAS TOUCHER. GARDER LES ENFANTS, LES VÊTEMENTS ET LES MEUBLES ÉLOIGNÉS.
- UN CONTACT AVEC LA PEAU PEUT OCCASIONNER DES BRÛLURES. VOIR LES INSTRUCTIONS.
- OPÉRER CET APPAREIL SEULEMENT AVEC LE COUVERCLE DE LA TRÉMIE FERMÉ. DES ÉMISSIONS DE COMBUSTION PEUVENT SE PROPAGER PAR LA TRÉMIE SOUS CERTAINES CONDITIONS.
- NE PAS SURCHARGER LA TRÉMIE.
- DES PIÈCES EN MOUVEMENT PEUVENT CAUSER DES BLESSURES.
- PIÈCES CHAUDE. NE PAS UTILISER SI LES PANNEAUX DE CÔTÉS OU ARRIÈRE SONT ENLEVÉS.
- CONSERVER LE JOINT D'ÉTANCHÉITÉ DU TRÉMIE EN BONNES CONDITIONS.


---



**DANGER**

- DISCONNECT POWER BEFORE SERVICING UNIT.
- RISK OF ELECTRICAL SHOCK.

Made in St-Augustin-de-Desmaures (Qc), Canada  
09/08/2017 (# test)



Fabrique à St-Augustin-de-Desmaures (Qc), Canada  
09/08/2017 (# test)


27704

Fabricant de poêles international  
Stove Builder International

**DANGER**

- DÉBRANCHER POUR L'ENTRETIEN.
- RISQUE DE CHOCS ÉLECTRIQUES.

Made in St-Augustin-de-Desmaures (Qc), Canada  
09/08/2017 (# test)



Fabrique à St-Augustin-de-Desmaures (Qc), Canada  
09/08/2017 (# test)

27704

Fabricant de poêles international  
Stove Builder International

FRANÇAIS

Plaque d'homologation - Page 1

Plaque d'homologation - Page 2

Manuel d'opération - 2500

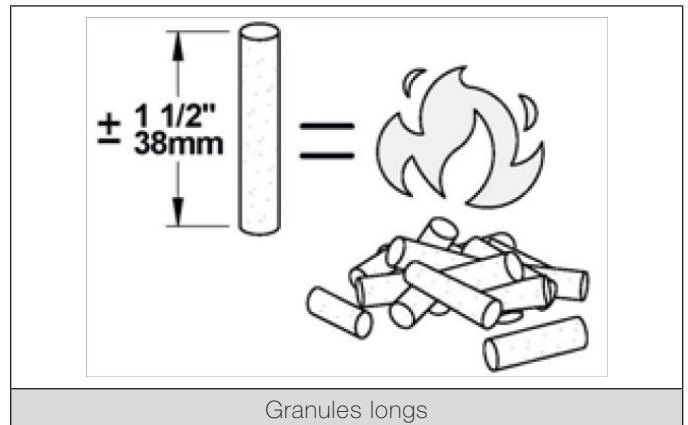
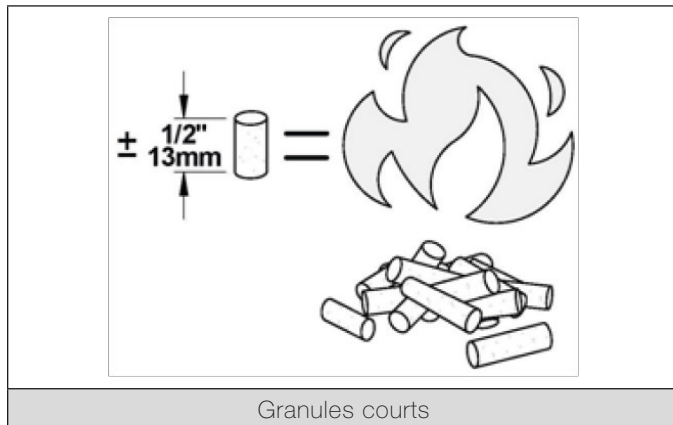
Page 37

# COMBUSTIBLES

## Granules recommandés

*Type:* Granules de bois, qualité premium ou supérieure, certifié par PFI, ENplus ou CANplus.

*Dimension:* Les granules conventionnels sont ceux de 1/4" ou 5/16" de diamètre, d'une longueur maximale de 1". Des granules plus longs et plus gros peuvent affecter la constance de l'alimentation. La longueur des granules peut varier d'un lot à l'autre, même si elle provient du même fabricant.



*Taux de cendres:* Moins de 1%. Plus de 1% de cendres augmentera la fréquence de nettoyage requise, créera des problèmes de combustion et augmentera le taux d'émission de l'appareil.

*Taux d'humidité:* Des granules humides seront difficiles à allumer et affecteront grandement l'alimentation et les performances du poêle. L'utilisation de granules secs maintiendra les performances de l'appareil.



*Notez que la qualité des granules peut varier en fonction du fabricant. Elle peut également varier d'un sac à l'autre, même si les granules proviennent du même fabricant. Il est recommandé d'essayer plusieurs fabricants différents pour trouver celui qui convient le mieux à votre utilisation. Ensuite, achetez les granules en lot de plusieurs tonnes, pour assurer votre satisfaction.*



*L'utilisation d'un combustible autre que celui mentionné ci-dessus n'est pas permise. Ceci constitue une violation des codes du bâtiment pour lequel ce poêle a été approuvé et annulera la garantie.*

## Entreposage

Les granules devraient rester dans leur emballage d'origine jusqu'à leur utilisation.

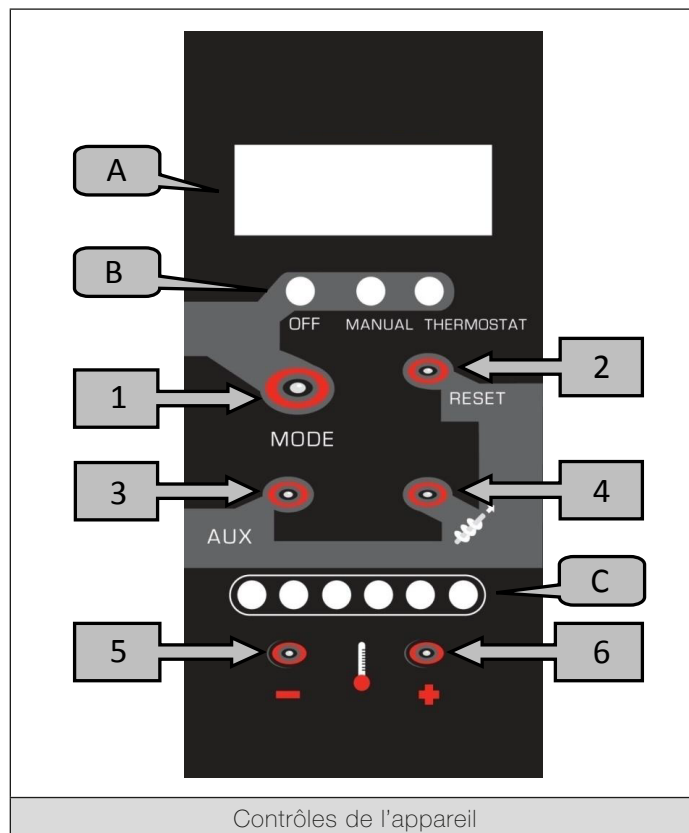
Il est recommandé de remiser les sacs de granules dans un endroit sec et bien aéré. S'ils doivent être entreposés à l'extérieur, garder l'emballage de plastique de la palette intact et couvrir celle-ci avec une bâche puisque les sacs de granules ne sont pas étanches.

Entreposer un sac ou deux dans la même pièce que le poêle pour le ravitaillement. Les distances minimales des dégagements aux matériaux combustibles ainsi que l'espace requis pour remplir la trémie et l'enlèvement des cendres doivent être respectés.

**NE PAS ENTREPOSER DE COMBUSTIBLES EN DEÇÀ DES DÉGAGEMENTS MINIMUMS DE L'APPAREIL DE CHAUFFAGE.**

## CONTRÔLES DE L'APPAREIL

Le fonctionnement du poêle, du système d'alimentation en granules et des ventilateurs sont contrôlés par un panneau de contrôle, qui est situé sur le côté droit de l'appareil. Les divers boutons et zones de visualisations du panneau de contrôle sont les suivants :



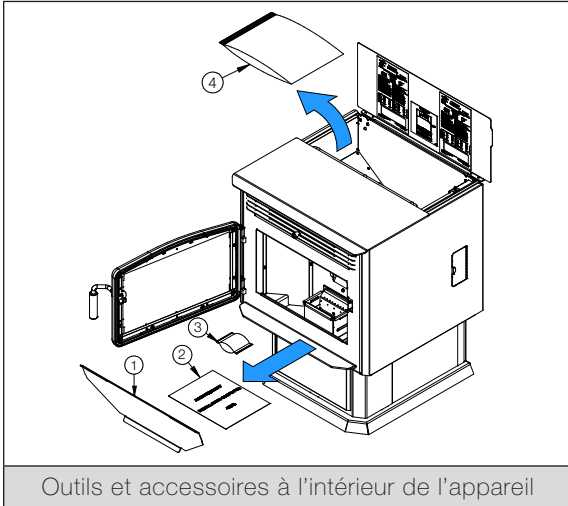
FRANÇAIS

No	Description
A	Zone de visualisation des différents messages.
B	Zone de visualisation de l'état du poêle.
C	Zone de visualisation de l'intensité du poêle, niveau 1 à 6.
1	MODE : Le bouton «MODE» est utilisé pour arrêter le poêle (OFF), le mettre en marche en opération manuelle (MANUAL) ou en mode thermostatique (THERMOSTAT).
2	RESET : Le bouton «RESET» est utilisé pour réinitialiser le poêle après l'apparition de la plupart des messages d'erreur.
3	AUX : Le bouton «AUX» est utilisé pour ajuster la vitesse de l'air de convection.
4	VIS : Le bouton « vis » est utilisé pour remplir la vis sans fin de granules.
5	MOINS : Le bouton « - » est utilisé pour réduire la vitesse de l'alimentation en granules et de ce fait même, baisser le niveau d'intensité du poêle.
6	PLUS : Le bouton « + » est utilisé pour augmenter la vitesse de l'alimentation en granules et de ce fait même, augmenter le niveau d'intensité du poêle.

## OPÉRATION DE L'APPAREIL

### Avant de démarrer l'appareil

- S'assurer que l'appareil et le système d'évent sont installés selon les instructions d'installation.
- Lire et suivre les instructions d'opération.
- S'assurer que tous les outils et accessoires à l'intérieur de l'appareil ont été retirés.

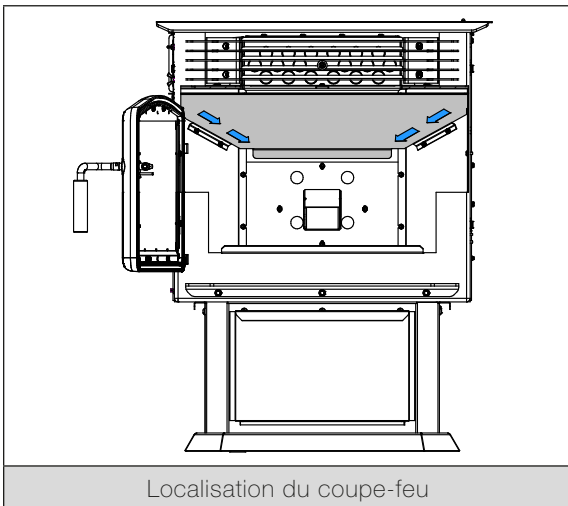


Outils et accessoires à l'intérieur de l'appareil

No	Outils / Accessoires
1	Coupe-feu
2	Feuille d'avertissement
3	Sachet désydratant
4	Manuels d'utilisateur

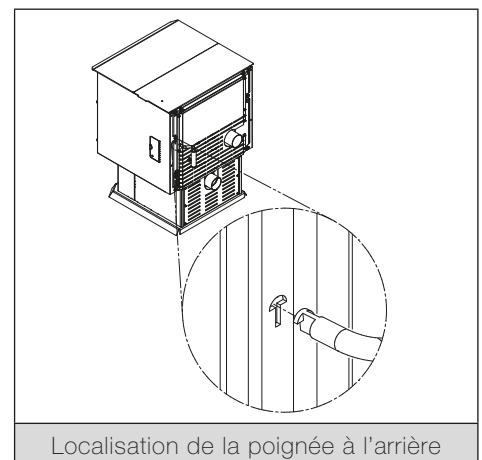
FRANÇAIS

- S'assurer que le coupe-feu a bien été installé.



Localisation du coupe-feu

- S'assurer que le pot de combustion est bien en place et qu'il y a suffisamment de granules dans la trémie
- La poignée de l'appareil est amovible. **Lorsque le poêle est en fonction, elle doit être rangée derrière le poêle,** comme montré sur l'image ci-dessous.



Localisation de la poignée à l'arrière



## Premier allumage / Début de saison

Avant de démarrer le poêle, le pot à combustion, le coupe-feu et les panneaux d'accès doivent être installés correctement. Le poêle et la trémie doivent avoir été vidés de tous les outils et accessoires (voir la section «Avant de faire fonctionner le poêle»). De plus, toutes les portes et tous les couvercles doivent être fermés et le système d'évent doit être correctement installé et scellé.

Remplir la trémie et appuyer sur le bouton «MODE» une fois pour démarrer le poêle en opération manuelle (MANUAL) ou appuyer deux fois pour démarrer le poêle en opération thermostatique (THERMOSTAT). Lors du premier feu de la saison, ou si l'appareil a manqué de granules, appuyez sur la «VIS» en premier, puis démarrer le poêle dans le mode désiré. Lorsque le poêle démarre, il s'allume automatiquement. Aucun allume-feu n'est nécessaire.

Si le feu n'allume pas dans les 20 minutes suivant le démarrage, le message «CODE L» apparaîtra dans la zone de visualisation des messages. Voir la section de dépannage pour plus de détails.

*Durant les premiers feux, le poêle dégagera une odeur désagréable accompagnée d'une mince fumée. Ceci est lié au processus de durcissement de la peinture. La peinture chauffe, durcit et adhère au métal. Faire des feux à faible intensité minimisera l'effet désagréable. Éviter de placer des objets sur le poêle afin de ne pas endommager la peinture. S'assurer que la pièce soit bien ventilée. Ouvrir les fenêtres, au besoin. Bien que la fumée et son odeur soient désagréables, elles ne sont pas toxiques.*



*Faire deux ou trois feux à faible intensité pour amorcer le processus de durcissement de la peinture et le conditionnement des composants. Faire ensuite des feux à haute intensité jusqu'à ce que le poêle ne dégage plus d'odeur de peinture.*



**NE JAMAIS UTILISER UNE GRILLE OU AUTRE MOYEN POUR SUPPORTER LE COMBUSTIBLE. SEUL LE POT À COMBUSTION APPROUVÉ POUR CE POÊLE DOIT ÊTRE UTILISÉ ET IL NE DOIT PAS ÊTRE MODIFIÉ.**

## Démarrage quotidien

Avant le démarrage, s'assurer que l'entretien recommandé selon le calendrier a été effectué (voir la section «Entretien»). Remplir la trémie et appuyer sur le bouton «MODE» une fois pour démarrer le poêle en opération manuelle (MANUAL) ou appuyer deux fois pour démarrer le poêle en opération thermostatique (THERMOSTAT).

En appuyant sur les boutons «+» ou «-», il sera possible d'augmenter ou de réduire la vitesse de l'alimentation en granules, et par le fait même, le niveau d'intensité du poêle. Chaque changement du niveau d'intensité peut être visualisé grâce à la lumière rouge qui indique le niveau atteint, de 1 à 6.

## Manque de granules

Si le poêle manque de granules, le feu s'éteindra tranquillement. Le ventilateur de convection restera en fonction jusqu'à ce que la sonde d'évacuation lise 115°F. Le cycle de refroidissement prendra quelques minutes avant que tous les autres moteurs s'arrêtent. Lorsque cette température est atteinte, le message «CODE E» apparaîtra.

Le redémarrage du poêle sera possible seulement lorsque tous les ventilateurs seront arrêtés (environ 10 minutes après l'apparition du message d'erreur). Appuyer sur «RESET» et remplir la trémie. Appuyer sur le bouton de la «VIS» et ensuite appuyer sur le bouton «MODE» pour repartir le poêle dans le mode désiré.

## Remplissage

Lorsque le poêle est en marche, le couvercle de la trémie peut être ouvert pour remplissage durant 90 secondes avant d'afficher un message d'erreur. Un signal sonore se fera entendre et s'intensifiera chaque 30 secondes. Après 90 secondes, si le couvercle de la trémie est toujours ouvert, le poêle s'arrêtera en affichant «CODE d». Pour plus d'informations, voir la section «Dépannage».

Lorsque le poêle est à l'arrêt, il n'y a aucune limite de temps pour le remplissage de la trémie. *L'ouverture du couvercle de la trémie arrêtera la vis sans fin d'alimenter le poêle en granules.*

**LE COUVERCLE DE LA TRÉMIE DOIT ÊTRE FERMÉ EN TOUT TEMPS, SAUF LORS DU REMPLISSAGE.**

**NE SURCHARGEZ PAS LA TRÉMIE.**

### Procédure d'arrêt

Pour éteindre le poêle, appuyer sur le bonton «MODE» jusqu'à la position «OFF». Le cycle de refroidissement s'échelonne sur quelques minutes et les ventilateurs continueront de fonctionner pendant que le poêle se refroidit.



**NE JAMAIS DÉBRANCHER LE CORDON D'ALIMENTATION POUR ÉTEINDRE LE POÊLE.**

### Les signes de surchauffe

Choisir un poêle trop petit pour la maison dans laquelle il sera installé risque de faire surchauffer le poêle puisqu'il devra fonctionner au réglage maximum la plupart de temps pour obtenir une température confortable. L'espérance de vie des composants ainsi que celle du poêle en seront réduites.

Dans des conditions normales, la flamme doit avoir une couleur jaune vif, être très active et stable. Si la flamme devient paresseuse, très élevée et orange, c'est un signe de mauvais fonctionnement.

Les causes les plus souvent liées à la surchauffe d'un poêle sont les suivantes: système d'évent trop restrictif, échangeur de chaleur bloqué, un manque d'air de combustion ou un manque d'entretien.

Si l'appareil surchauffe, il deviendra très chaud. Si le poêle devient trop chaud, il s'arrêtera en affichant «CODE H».

Si cela se produit **une fois**, attendre que le poêle refroidisse et **effectuer l'entretien hebdomadaire** du poêle suggéré dans le calendrier d'entretien. **Inspecter minutieusement le système d'évent.** Le faire ramoner, si nécessaire. Appuyer sur le bouton «MODE» et «RESET» simultanément durant 3 secondes pour réinitialiser le poêle.

Si le code se produit plus d'une fois, un contact avec le détaillant pourrait s'avérer utile afin de recevoir quelques conseils pour que ce code ne s'affiche plus.

Après **trois répétitions** d'un code H, le contrôle de l'**appareil sera verrouillé** et il sera impossible de redémarrer l'appareil. Avant de le déverrouiller, l'**entretien biennal** suggéré dans le calendrier d'entretien doit être fait. **Inspecter minutieusement le système d'évent.** Le faire ramoner, si nécessaire. Lorsque l'entretien est complété, pour déverrouiller le contrôle, appuyer sur les boutons suivants, les uns après les autres : «RESET», «MODE», «+», «-» puis, appuyez sur le bouton «VIS» durant 5 secondes.



Si des lueurs rougeâtres sont visibles sur les composants externes du poêle, le poêle surchauffe. Éteignez-le immédiatement. **Ne le débranchez pas et n'ouvrez pas la porte.** Débrancher le poêle désactivera tous les éléments de sécurité du poêle.

## Utilisation d'un thermostat

L'utilisation d'un thermostat aidera à maintenir une température constante dans toute la maison. Un thermostat à bas volatge (24 volts) est nécessaire. Un modèle mural fixe ou un modèle télécommandé peut être utilisé.

Afin d'utiliser le mode thermostat, appuyer sur le bouton «MODE» jusqu'à la position «THERMOSTAT». Sélectionner ensuite le niveau d'intensité en utilisant les boutons «-» ou «+». En mode thermostatique, le poêle fonctionnera au niveau d'intensité sélectionné jusqu'à ce que la température de la pièce ait atteint le niveau programmé sur le thermostat.

### Sélection du mode pilot

Par défaut, le mode pilote est en mode «AUTO» Pour le changer, appuyer sur le bouton «-» et le bouton «MODE» simultanément, durant 3 secondes. Le mode choisi sera alors affiché dans la zone de visualisation des différents messages.

#### *Pilot AUTO (Niveau d'intensité 1)*

Lorsque la température est atteinte, le poêle restera automatiquement à son niveau d'intensité le plus faible (#1) jusqu'à ce que le thermostat demande à nouveau de la chaleur. Le poêle s'arrêtera après 15 minutes, si le thermostat ne demande pas de chaleur durant cette période.

#### *Pilot AUTO (Niveaux d'intensité 2 à 6)*

Lorsque la température est atteinte, le poêle se met automatiquement à son niveau d'intensité le plus faible (#1), jusqu'à ce que le thermostat demande à nouveau de la chaleur. Le poêle s'arrêtera après 45 minutes, si le thermostat ne demande pas de chaleur durant cette période.

#### *Pilot ON:*

Lorsque la température est atteinte, le poêle se met automatiquement à son niveau d'intensité le plus faible (#1), jusqu'à ce que le thermostat demande à nouveau de la chaleur. Le poêle ne s'arrêtera pas, même si le thermostat ne demande pas de chaleur à nouveau.



*Pour éviter l'usure prématurée des composants de l'appareil, il est recommandé d'utiliser le mode «Pilot ON» durant les mois les plus froids et le mode «Pilot AUTO» durant les mois les plus chauds.*

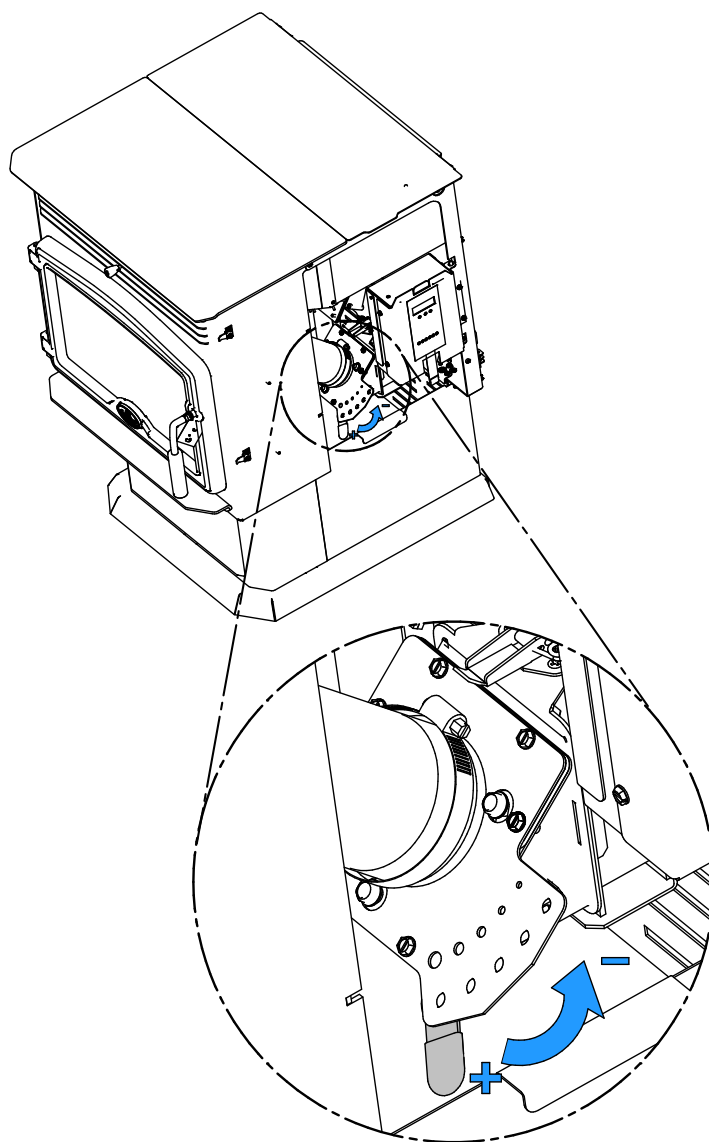
## Ajustement de la vitesse de l'air de convection

Chaque niveau d'intensité de combustion de l'appareil a été programmé avec une vitesse de convection optimale. Toutefois, il est possible d'augmenter la vitesse en appuyant sur le bouton «AUX». Tous les niveaux d'intensité peuvent être augmentés, sauf le niveau d'intensité 6, qui est déjà à sa vitesse maximum.

## Ajustement de l'entrée d'air

Il est possible d'ajuster la quantité d'air de combustion qui entre dans le poêle. L'utilisation du poêle au réglage le plus bas réduira les allumages manqués, allumera les granules plus facilement et réduira le noircissement de la vitre lorsque des granules de haute qualité sont utilisés. Si un sac de granules devait être plus difficile à allumer et à brûler, l'ouverture du contrôle d'air aidera.

Pour ouvrir ou fermer la trappe d'air manuelle, ouvrir le panneau décoratif droit et repérer l'entrée d'air. Presser sur la languette et glisser vers le haut pour diminuer l'arrivée d'air et vers le bas pour augmenter l'arrivée d'air.



# ENTRETIEN

**DANGER**



**NE JAMAIS FAIRE L'ENTRETIEN DU POÊLE LORSQU'IL EST CHAUD.**

**DANGER**



**DÉBRANCHER TOUTE SOURCE D'ÉLECTRICITÉ AVANT DE FAIRE L'ENTRETIEN DE L'APPAREIL.**

## Calendrier d'entretien

*Ce tableau doit être utilisé comme référence seulement lors d'une utilisation normale de l'appareil. La fréquence de nettoyage peut varier selon le type de combustible utilisé.*

COMPOSANTS	HEBDOMADAIRE (±250 LIVRES)	BI-ANNUEL (± 1 TONNE)	ANNUEL (± 2 TONNES)
Coupe-feu	Aspirer		
Système auto-nettoyant (vitre)	Aspirer		
Pot à combustion	Gratter / Aspirer		
Vitre	Nettoyer		
Tiroir à cendres	Vider / Aspirer		
Parois de la chambre à combustion	Aspirer	Brosser / Aspirer	
Échangeur de chaleur	Brosser	Gratter et aspirer	
Canalisation d'évacuation		Aspirer	
Ventilateur d'évacuation		Aspirer	
Ventilateur de combustion		Inspecter	
Ventilateur de convection		Aspirer	
Système d'évent		Inspecter et ramoner	Nettoyer et ramoner
Joints d'étanchéité		Inspecter	
Trémie			Vider et aspirer

FRANÇAIS

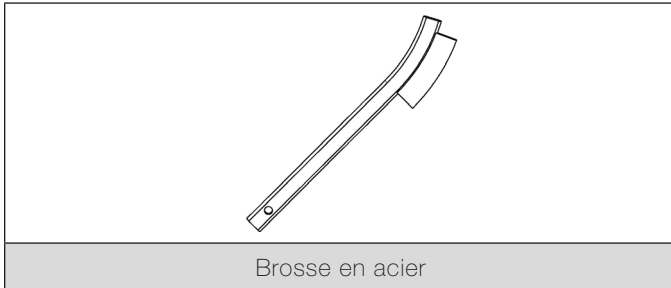
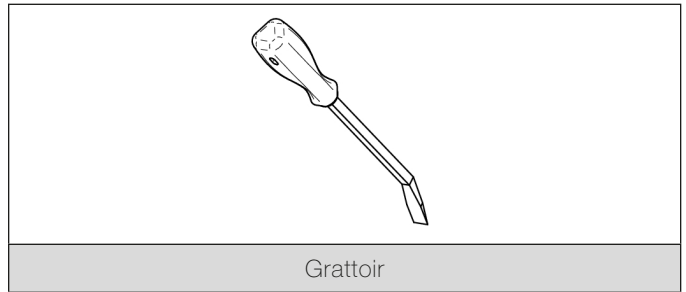
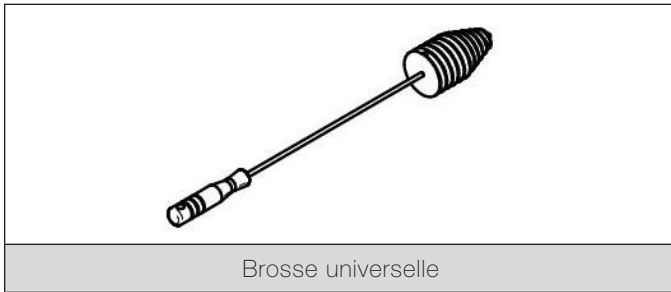


*Le nettoyage du poêle et du système d'évent est important, surtout à la fin de la saison de chauffage afin de minimiser la corrosion durant les mois d'été, provoquée par les cendres accumulées.*



**NÉGLIGER LE NETTOYAGE ET L'ENTRETIEN RECOMMANDÉS DE L'APPAREIL POURRAIENT ENTRAÎNER DE MAUVAISES PERFORMANCES ET ÊTRE UN DANGER POUR LA SÉCURITÉ.**

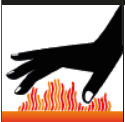
## Équipements recommandés



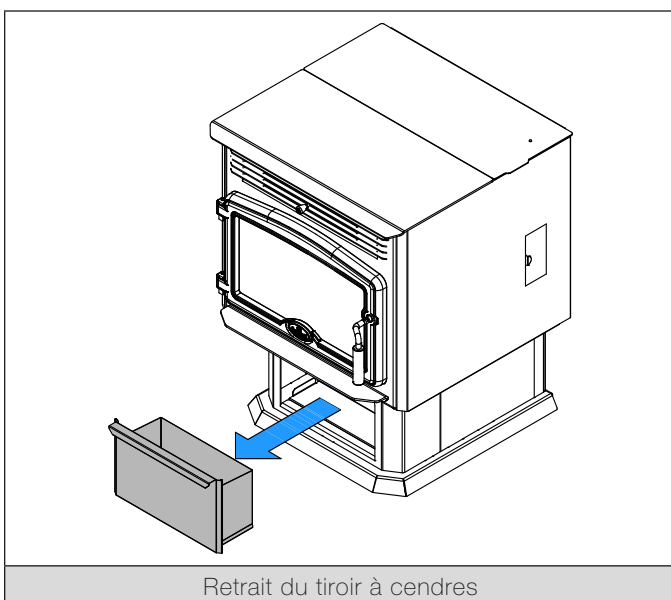
FRANÇAIS

## Enlèvement des cendres

### DANGER



**NE JAMAIS ASPIRER LES CENDRES LORSQU'ELLES SONT CHAUDES. LES CENDRES DOIVENT ÊTRE REFROIDIES AVANT DE FAIRE L'ENTRETIEN.**



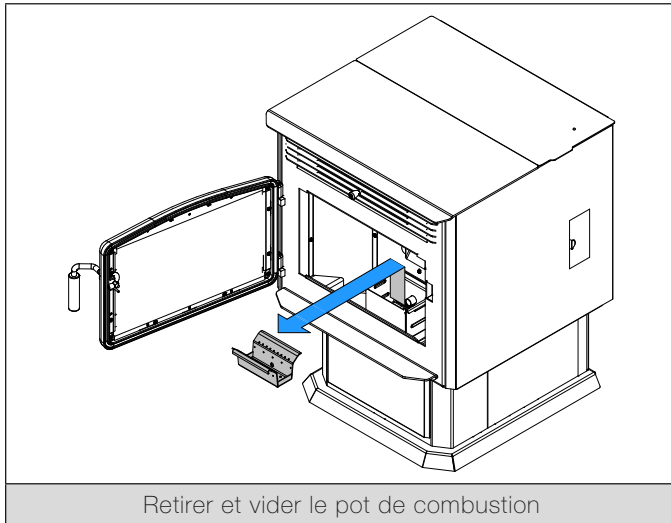


Les cendres doivent être mises dans un contenant métallique avec un couvercle étanche. Ce contenant fermé devrait être déposé sur une surface non combustible, loin de tout matériau pouvant prendre feu. Si les cendres sont destinées à être enterrées ou localement dispersées, elles devraient être maintenues dans le récipient fermé jusqu'à ce qu'elles soient complètement refroidies.

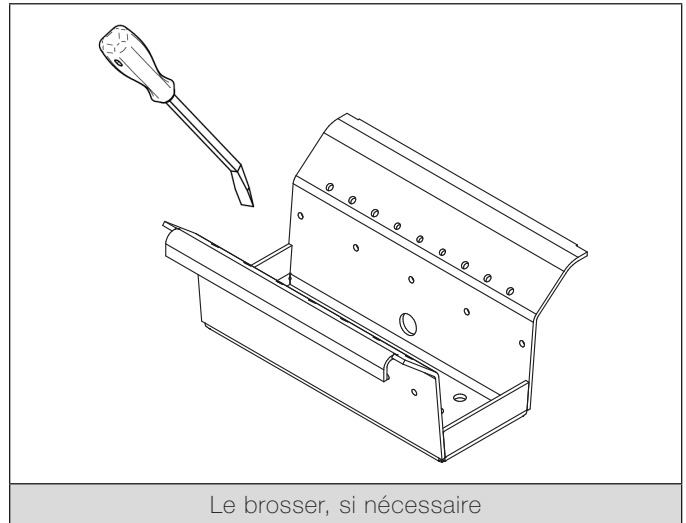


L'utilisation d'un aspirateur domestique, central ou commercial pour effectuer l'entretien du poêle est déconseillée. L'utilisation d'un aspirateur à cendres est fortement recommandée.

## Pot de combustion



Retirer et vider le pot de combustion

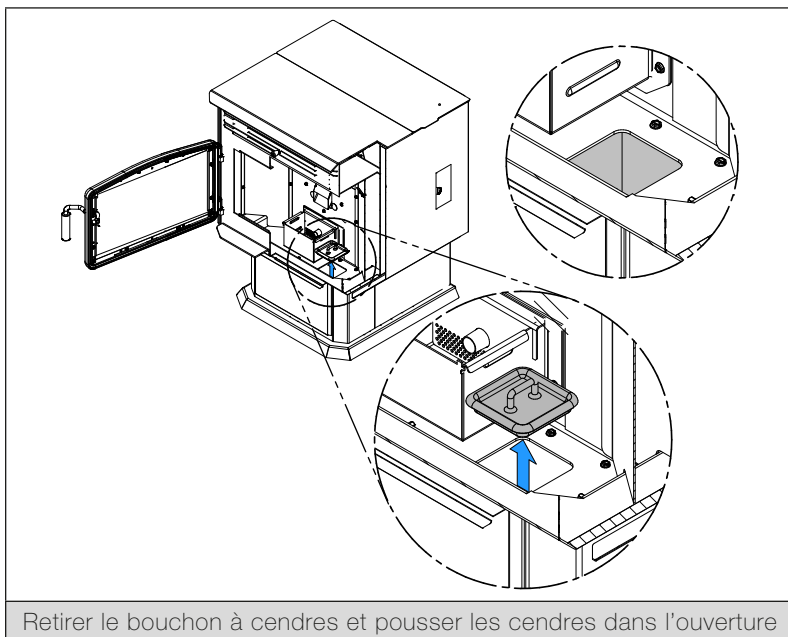


Le brosser, si nécessaire

## Chambre à combustion

Nettoyer la chambre à combustion en aspirant les cendres refroidies. Lorsque nécessaire, brosser les parois et aspirer les cendres par la suite.

Il est aussi possible de pousser les cendres dans le tiroir à cendres par l'ouverture au fond de la chambre à combustion. Dans ce cas-ci seulement, les cendres n'ont pas à être froides.

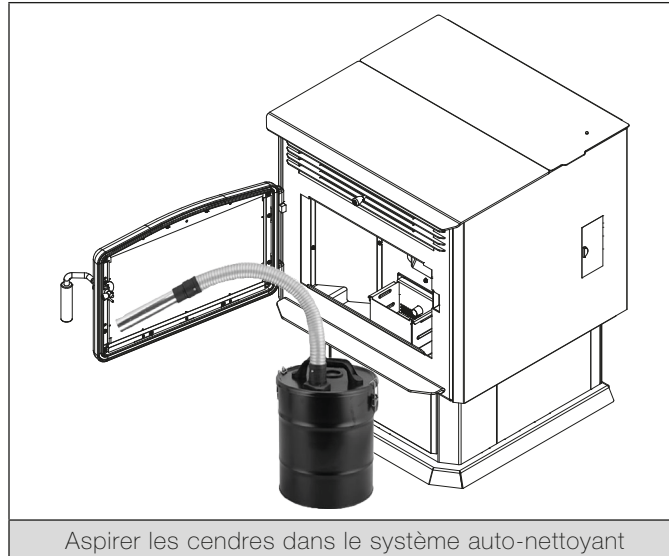


Retirer le bouchon à cendres et pousser les cendres dans l'ouverture

## Entretien de la vitre

Aspirer les cendres accumulées dans le système autonettoyant de la vitre. Ceci permet un écoulement d'air optimal et empêche la vitre de noircir.

Laver la vitre au besoin, avec un nettoyant spécialement conçu pour les poêles à combustibles solides. Un produit nettoyant pour les fenêtres n'enlèvera pas la suie ou la créosote.



**.NE JAMAIS UTILISER DE NETTOYANTS ABRASIFS SUR LA VITRE OU SUR UNE PIÈCE PLAQUÉE.**



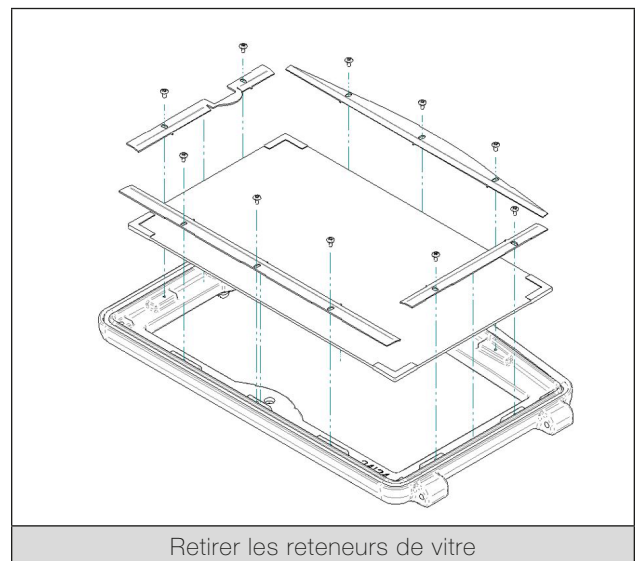
**NE PAS NETTOYER LA VITRE LORSQU'ELLE EST CHAUDE.**

**NE PAS FORCER, FRAPPER, CLAQUER OU ADOPTER TOUT AUTRE COMPORTEMENT QUI POURRAIT FRAGILISER LA PORTE VITRÉE.**

**NE PAS UTILISER LE POËLE SI LA VITRE EST MANQUANTE, FISSURÉE OU CASSÉE.**

## Remplacer la vitre

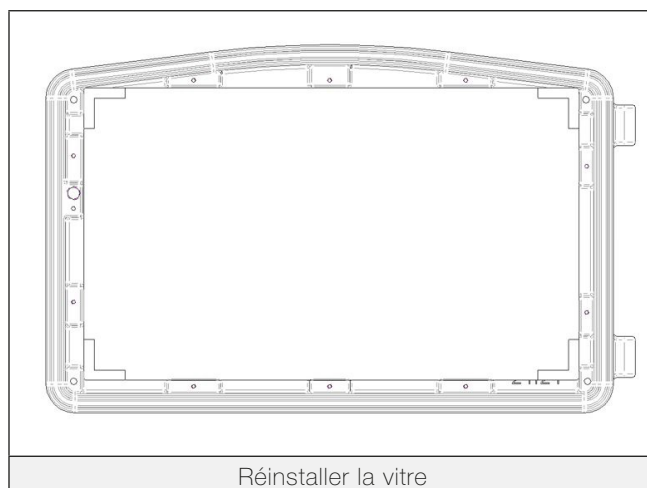
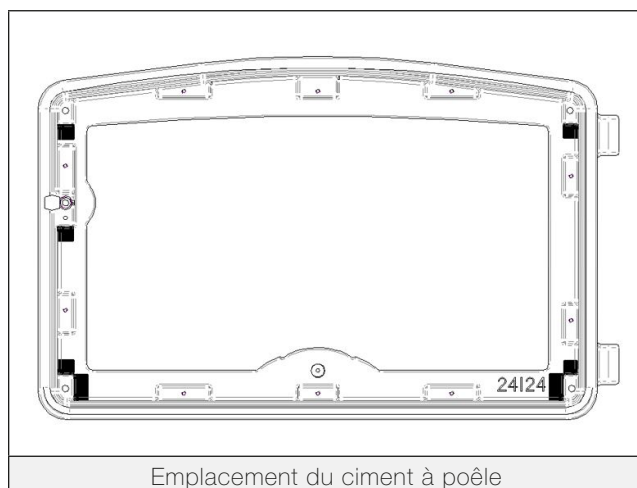
1. Retirer la porte et la placer sur une table, face vers le bas sur quelque chose de doux comme un coussin de chiffons ou un morceau de tapis.
2. Retirer les 10 vis qui maintiennent les reteneurs de vitre et retirer délicatement les morceaux de vitre du cadre de porte. Disposer de tous les débris de verre correctement. Une vitre cassée doit être remplacée par un verre céramique 13 7/8" x 8 5/8", 5 mm d'épaisseur. .



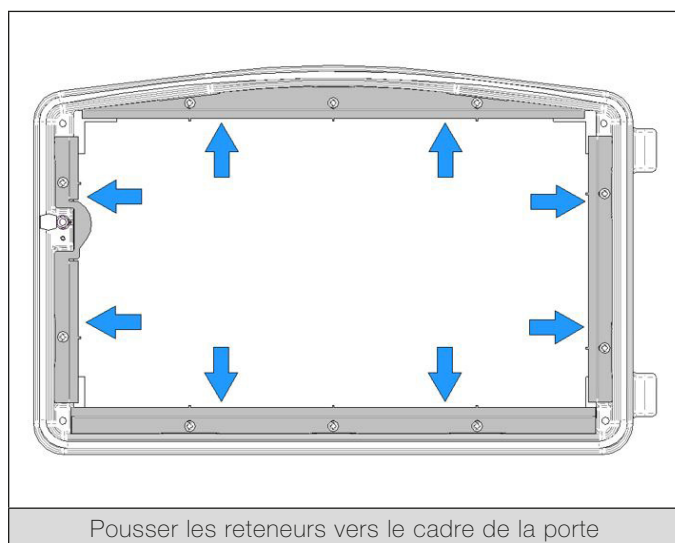
**TOUJOURS PORTER DES GANTS LORS DE LA MANIPULATION DE VERRE BRISÉ**



3. Retirez le ciment à poêle dans les coins de la porte (voir la figure ci-dessous). Lorsque terminé, réinstaller la nouvelle vitre.



5. Remettre du ciment à poêle dans les coins de la porte comme montré sur la figure ci-dessus.
6. Réinstallez les reteneurs de vitre en s'assurant que le ciment à poêle est compressé par les reteneurs. Pousser les reteneurs vers le cadre de la porte pour s'assurer qu'il n'y a pas d'espace entre les reteneurs et le cadre de la porte, puis, les visser en place. Ne pas trop serrer les vis car cela risquerait de fissurer le verre lorsque soumis à une forte chaleur.



8. Réinstaller la porte et attendre 24h avant de l'utiliser à nouveau.

*La vitre de remplacement doit être achetée seulement chez un détaillant autorisé. Le verre trempé ou ordinaire n'est pas adapté pour les températures élevées du poêle.*

*Lors du changement de la vitre, s'assurer que les joints d'étanchéité du verre sont aux mêmes endroits que les originaux afin de maintenir le bon fonctionnement du système autonettoyant de la vitre.*

## Entretien du cordon de porte

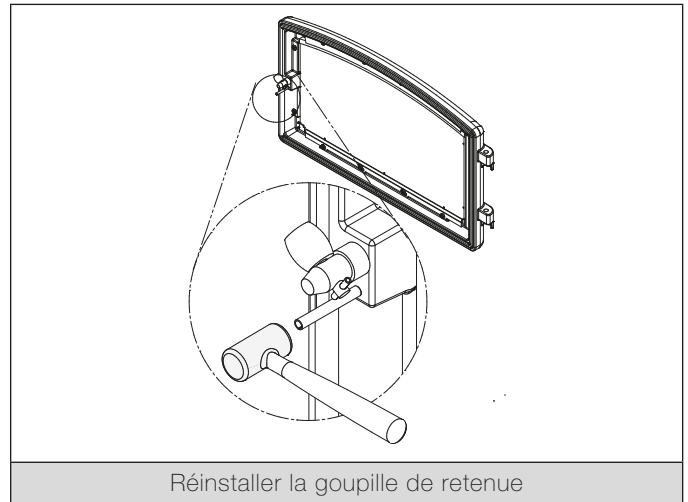
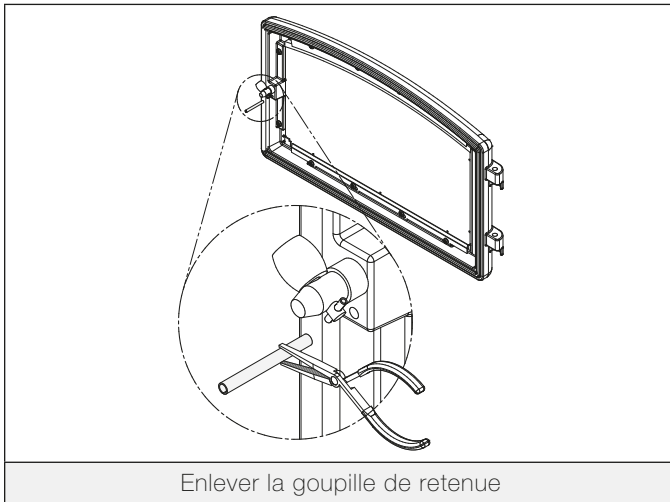
Le cordon de la porte doit être conservé en bon état. Après un certain temps, le cordon s'use et se comprime. Un ajustement de la porte peut alors être nécessaire (voir section «Ajustement de la porte»). Si l'ajustement de la porte n'est pas suffisant, il faut remplacer le cordon de porte avec un cordon d'origine.

Si la porte du poêle ne ferme pas hermétiquement, il sera difficile de garder la vitre propre et les gaz de combustion pourraient fuir dans la pièce.

## Ajustement de la porte

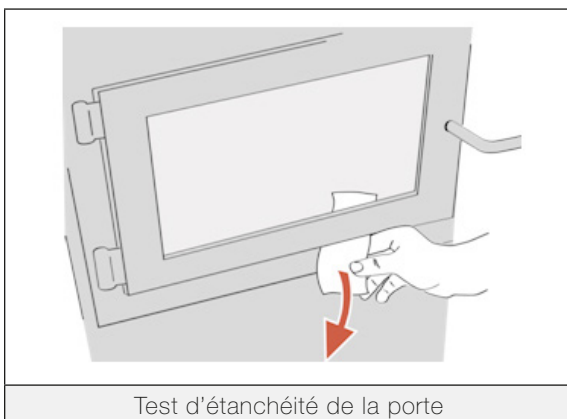
Pour obtenir un rendement optimal de l'appareil, la porte doit être parfaitement étanche avec la chambre à combustion. Le joint d'étanchéité doit donc être inspecté périodiquement afin d'obtenir un ajustement hermétique. L'étanchéité peut être améliorée avec un ajustement simple du mécanisme de verrouillage.

Enlever la goupille de retenue en tirant et tournant à l'aide d'une pince. Tourner la poignée d'un tour dans le sens contraire des aiguilles d'une montre afin d'augmenter la pression entre le cadrage de la porte et la structure du poêle. Réinstallez la goupille de retenue en utilisant un marteau.

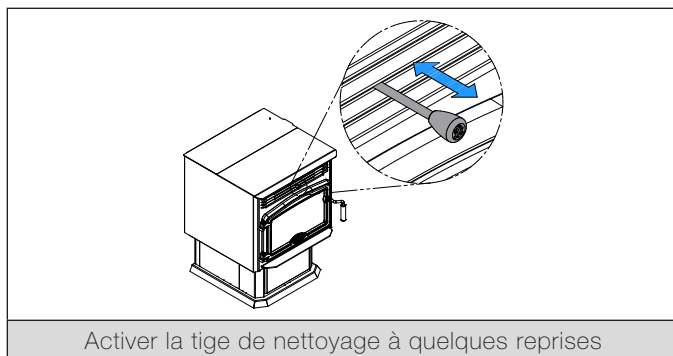


## Vérification de l'étanchéité de la porte

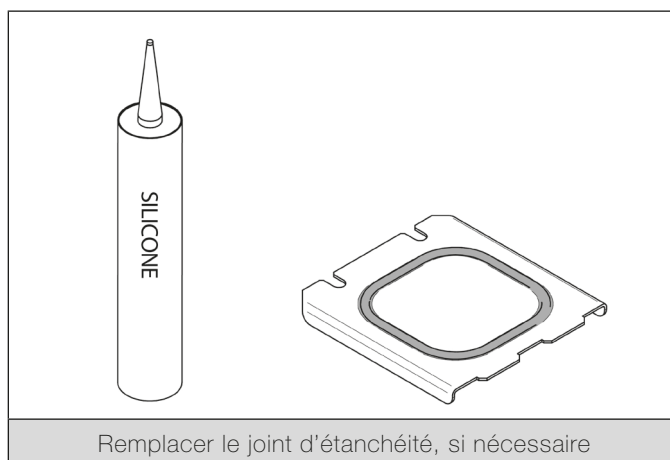
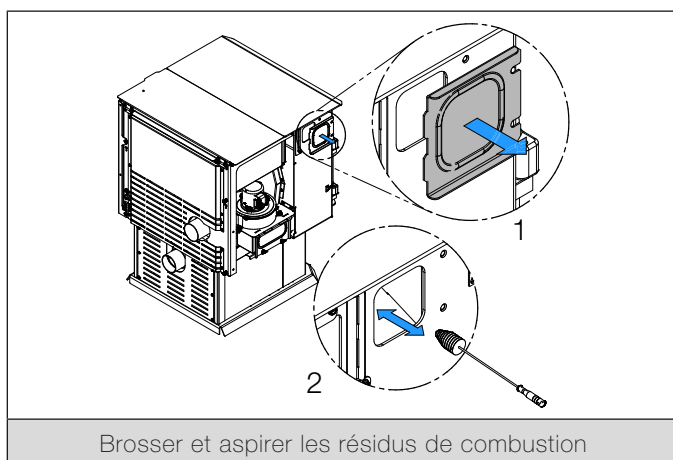
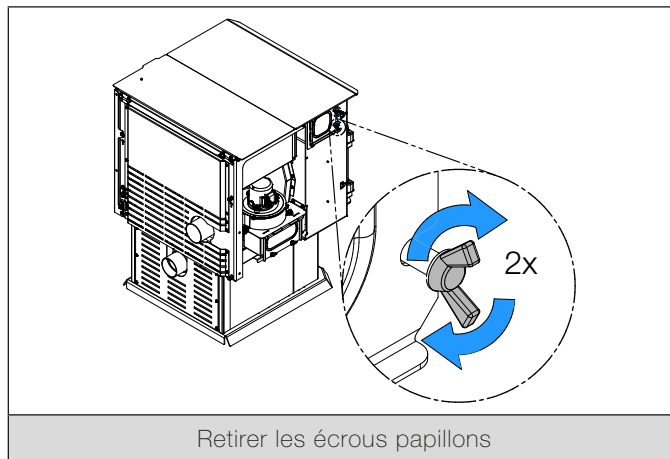
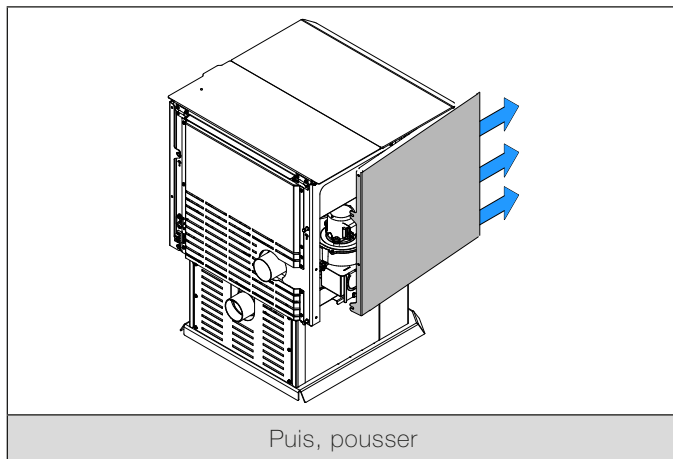
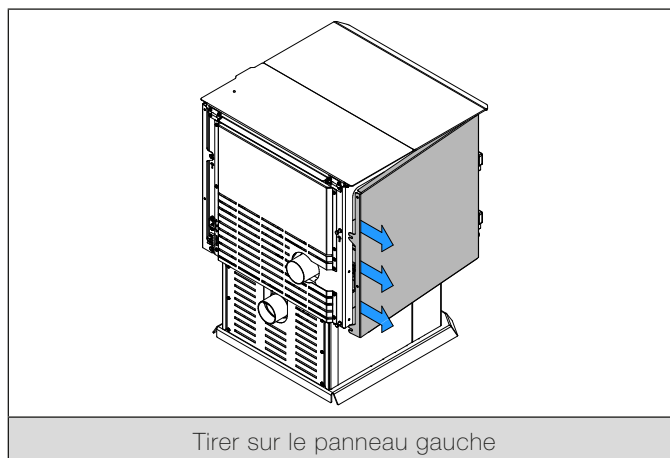
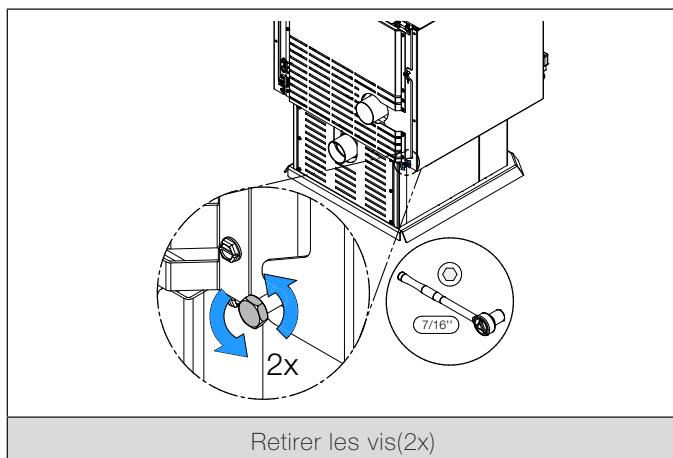
Vérifier l'étanchéité de la porte en fermant et en verrouillant la porte sur un bout de papier. Vérifier tout le tour de la porte. Le papier ne devrait pas glisser facilement. Si le papier glisse facilement, voir la section «maintenance» du manuel d'opération.



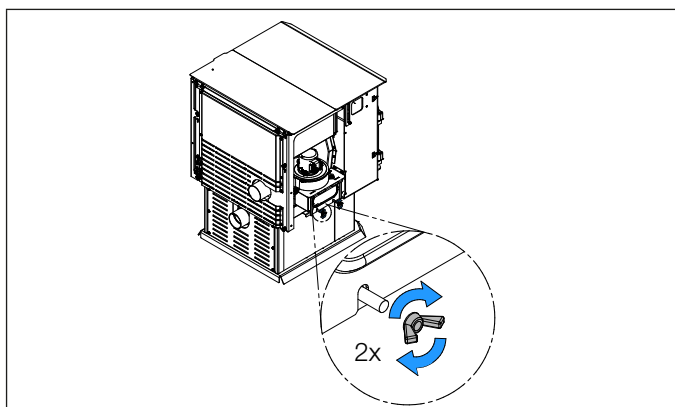
## Échangeur de chaleur et canalisation d'évacuation



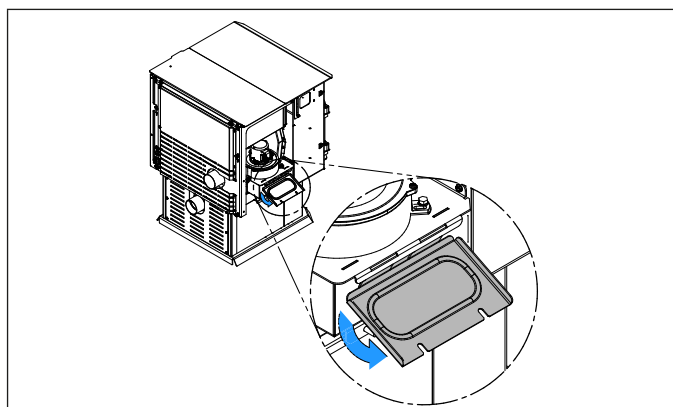
Brosser et aspirer l'intérieur de la canalisation de l'échangeur de chaleur, lorsque nécessaire.



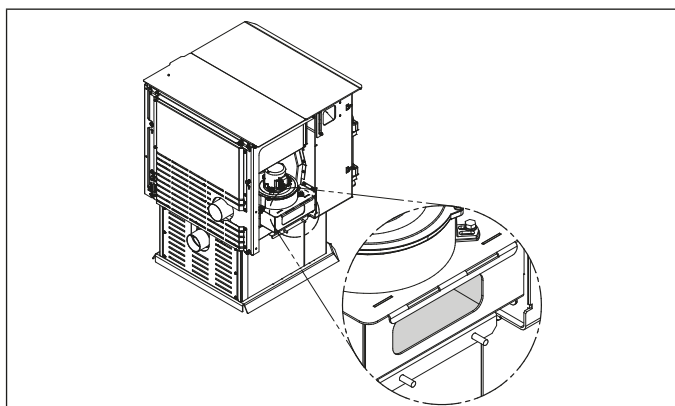
Brosser et aspirer l'intérieur de la canalisation d'évacuation, lorsque nécessaire.



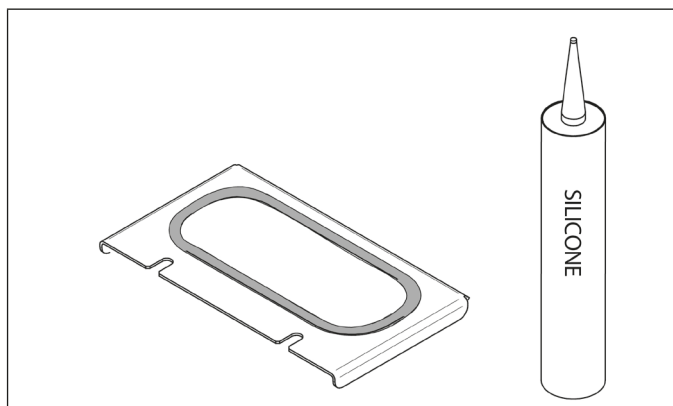
Retirer les écrous papillons



Retirer le panneau



Brosser et aspirer les résidus de combustion

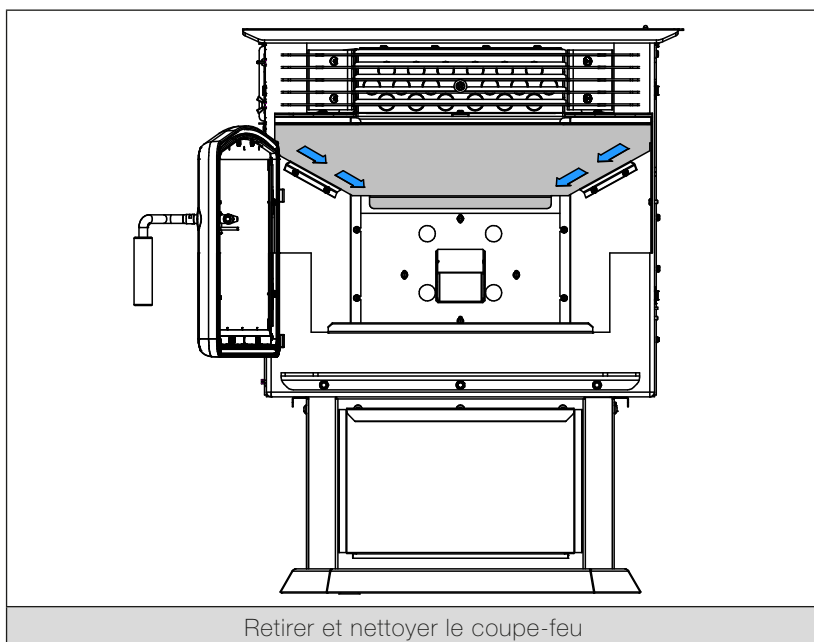


Remplacer le joint d'étanchéité, si nécessaire

FRANÇAIS

## Coupe-feu

Retirer et nettoyer le coupe-feu. Ne pas oublier de le remettre en place.



Retirer et nettoyer le coupe-feu

## Entretien du système d'évent

### **INSPECTEZ RÉGULIÈREMENT LE SYSTÈME D'ÉVENT, LES JOINTS ET AUTRES PIÈCES D'ÉTANCHÉITÉ POUR ÉVITER QUE LA FUMÉE ET LES GAZ DE COMBUSTION NE S'ÉCHAPPENT.**

Le ramonage du système d'évent peut être difficile et dangereux. Pour les gens inexpérimentés, il est préférable d'engager un ramoneur professionnel pour inspecter et nettoyer le système.

Pour une personne expérimentée qui aimerait exécuter le ramonage elle-même, la méthode la plus efficace est d'utiliser une brosse de 3" ou 4", selon l'installation. Commencer dans le haut du système d'évent et brosser vers le bas, de sorte que les résidus de cendres, de suie et de crésote se détachent de la surface intérieure et tombent dans le bas du système d'évent, d'où ils peuvent être enlevés facilement.

Le système d'évent doit être maintenu en bon état et bien entretenu.

### **SI UNE COUCHE IMPORTANTE DE CRÉOSOTE S'EST ACCUMULÉE (3 MM (1/8") OU PLUS), ELLE DOIT ÊTRE ENLEVÉE IMMÉDIATEMENT POUR ÉLIMINER LES RISQUES DE FEU DE CHEMINÉE.**

#### *Faire face à un feu de cheminée*

1. Évacuer les membres de la famille et les animaux du bâtiment, puis, téléphoner au service d'incendie.
2. Éteindre l'appareil. **Ne pas le débrancher !**
3. Si possible, utiliser un extincteur chimique, du bicarbonate de soude ou du sable pour maîtriser l'incendie. Ne pas utiliser de l'eau, car cela pourrait provoquer des explosions de vapeur dangereuses.
4. Ne pas utiliser le poêle jusqu'à ce que le système d'évent ainsi que le poêle aient été inspectés par un ramoneur qualifié ou un inspecteur du service d'incendie.

#### *Cendres volantes et suie*

Les produits de combustion contiennent de petites particules de cendres volantes. Des cendres volantes peuvent s'accumuler particulièrement dans les sections horizontales de tuyau d'évacuation et restreindre la circulation des gaz de combustion. La combustion incomplète produite lors du démarrage, de l'arrêt ou la mauvaise utilisation du poêle entraînera une formation de suie qui peut s'accumuler dans le système d'évacuation. **Le système d'évacuation doit être inspecté au moins deux fois par an afin de déterminer si le ramonage est nécessaire.**

## DÉPANNAGE

Les problèmes les plus courants sont généralement causés par un ou plusieurs des facteurs suivants :

1. Mauvaise utilisation ou entretien inadéquat;
2. Mauvaise installation;
3. Combustible de mauvaise qualité;
4. Composant défectueux.

Le poêle est équipé d'une carte électronique qui informe l'utilisateur lorsque survient un problème. Il est donc important de ne pas débrancher le poêle lorsqu'il est en marche puisqu'il sera impossible de voir le message et corriger le problème. De plus, **débrancher le poêle désactive toutes les fonctions de sécurité.**

*Afin d'obtenir un service rapide et personnalisé, lors de toutes communications avec le détaillant ou le fabricant, le numéro de modèle de l'appareil ainsi que le numéro de série devront être fournis. (Ces informations se trouvent sur la plaque d'homologation, à l'intérieur du couvercle de la trémie).*

### Principaux codes d'erreur

Cette section contient les principaux codes d'erreur, les causes possibles et quelques pistes de solutions. **Consulter notre site web pour télécharger le guide de dépannage détaillé.**

Après l'apparition d'un code d'erreur, le poêle s'arrêtera par lui-même et commencera un cycle de refroidissement. Pour repartir le poêle, appuyer sur le bouton «RESET», puis sur le bouton «MODE». Le poêle ne redémarrera que lorsque le cycle de refroidissement sera complété.

<b>DANGER</b>	<b>DANGER</b>
 <b>NE JAMAIS MANIPULER OU REMPLACER UN COMPOSANT LORSQUE LE POÊLE EST CHAUD.</b>	 <b>DÉBRANCHER TOUTE SOURCE D'ÉLECTRICITÉ AVANT DE MANIPULER OU REMPLACER UN COMPOSANT.</b>

### CODE P

Le système d'évent est bloqué. Un des composants suivants est obstrué ou bloqué par de la cendre ou par tout autre matériel : le clapet antiretour d'entrée d'air, le ventilateur de combustion, le pot à combustion, les échangeurs de chaleurs et les canalisations d'évacuation, le ventilateur d'évacuation ou le système d'évent. Faire l'entretien complet de l'appareil. Voir la section «Entretien».

Le système d'évent n'est pas installé correctement. L'installation du système d'évent doit être conforme au manuel d'installation ainsi qu'aux instructions d'installation du fabricant du système d'évent.

Un retour d'air s'est produit dans le système d'évent. Ceci peut se produire lors de journée avec de très grands vents ou si le système d'évent n'a pas la terminaison appropriée.

### CODE E

Le poêle a manqué de granules. Remplir la trémie.

Les trous du pot à combustion sont bouchés. Retirer et nettoyer le pot à combustion. Les trous ne doivent pas être obstrués. Voir la section «Entretien».

La vis sans fin est coincée ou son moteur est défectueux. Tester le moteur. Voir la fiche technique «Tester un composant» sur notre site web. Lors du test, le couvercle de la trémie doit être fermé. Si le moteur ne semble pas fonctionner, soit il est défectueux soit la vis sans fin est coincée.

Le thermistor est défectueux. Lorsque le poêle est froid, appuyer sur le «+» et la «VIS» pour afficher la température. La température doit afficher la température ambiante. Si c'est le cas, mettre le poêle en marche. Après 10 minutes, si la valeur n'a pas augmenté, cela signifie que le thermistor est débranché ou défectueux.

## CODE L

Les trous du pot à combustion sont bouchés. Retirer et nettoyer le pot à combustion. Les trous ne doivent pas être obstrués. S'assurer que le tube autour de l'allumeur n'est pas rempli de cendres. Voir la section «Entretien».

Le combustible utilisé est de mauvaise qualité. Le combustible utilisé doit être de bonne qualité. Voir la section «Combustibles».

L'allumeur est défectueux. Tester l'allumeur. Voir la fiche technique «Tester un composant» sur notre site web. S'il fonctionne correctement, l'extrémité devrait devenir rouge en moins de deux minutes.

Le thermistor est défectueux. Lorsque le poêle est froid, appuyer sur le «+» et la «VIS» pour afficher la température. La température doit afficher la température ambiante. Si c'est le cas, mettre le poêle en marche. Après 10 minutes, si la valeur n'a pas augmenté, cela signifie que le thermistor est débranché ou défectueux.

## CODE H

*La principale cause d'une surchauffe de l'appareil est le manque d'entretien. Tout code de surchauffe devrait être suivi d'un **entretien rigoureux de l'appareil** et d'une **vérification du système d'évent**.*

Le code de surchauffe pourrait aussi apparaître si le pot à combustion ou le coupe-feu n'est pas installé correctement, ou si le ventilateur de convection est défectueux.

Après trois répétitions d'un code de surchauffe, il ne sera plus possible de redémarrer l'appareil.



Avant de le déverrouiller, faites l'entretien biennuel suggéré dans le calendrier d'entretien. Inspectez minutieusement le système d'évent. Faites-le ramoner, si nécessaire.

Pour plus de détails, voir la section «surchauffe de l'appareil».

## CODE d

Le couvercle de la trémie est demeuré ouvert pendant plus de 90 secondes. Par mesure de sécurité, la valve rotative arrête l'alimentation en granules dès que le couvercle de la trémie s'ouvre. Il reprendra son fonctionnement normal dès que le couvercle est refermé. Si le couvercle demeure ouvert pendant plus de 90 secondes, le poêle s'arrête.

L'interrupteur du couvercle de la trémie est défectueux ou mal connecté. Tester l'interrupteur. Voir la fiche technique «Tester un composant» sur notre site web. Si l'interrupteur ne fonctionne pas, il est peut-être défectueux ou mal branché.

## CODE C

Le courant a été interrompu lors du fonctionnement. Après le cycle de refroidissement, le poêle redémarre en utilisant les derniers réglages. Pour une panne de courant de courte durée (moins de 5 secondes), le poêle continuera à fonctionner à la vitesse sélectionnée.

### Autres codes d'erreur possibles

CODE	DESCRIPTION
n	Polarité inversée dans la prise de courant. Cet erreur n'empêche pas le poêle de fonctionner normalement mais la polarité devrait être corrigée par un électricien certifié.
FE	Le fusible du moteur d'évacuation est défectueux.
FL	Le fusible de l'allumeur est défectueux.
FC	Le fusible du moteur de convection est défectueux.
FV	Le fusible de la vis sans fin est défectueux.
FB	Le fusible du moteur de combustion est défectueux.

*Pour obtenir un guide de dépannage détaillé et des fiches techniques de remplacement des composants, visiter la page web de votre produit au <https://www.osburn-mfg.com/en/products/pellet-stoves/2500-pellet-stove/#fiche-technique>*



## GARANTIE À VIE LIMITÉE OSBURN

La garantie du fabricant ne s'applique qu'à l'acheteur au détail original et n'est pas transférable. La présente garantie ne couvre que les produits neufs qui n'ont pas été modifiés, altérés ou réparés depuis leur expédition de l'usine. Il faut fournir une preuve d'achat (facture datée), le nom du modèle et le numéro de série au détaillant OSBURN lors d'une réclamation sous garantie.

**La présente garantie ne s'applique que pour un usage résidentiel normal. Les dommages provenant d'une mauvaise utilisation, d'un usage abusif, d'une mauvaise installation, d'un manque d'entretien, d'une surchauffe, d'une négligence, d'un accident pendant le transport, d'une panne de courant, d'un manque de tirage, d'un retour de fumée ou d'une sous-évaluation de la surface de chauffage ne sont pas couverts par la présente garantie. La surface de chauffage recommandée pour un appareil est définie par le fabricant comme sa capacité à conserver une température minimale acceptable considérant que la configuration de l'espace ou la présence de système de distribution d'air ont un impact important sur la distribution optimale de la chaleur.**

La présente garantie ne couvre pas les égratignures, la corrosion, la déformation ou la décoloration. Tout défaut ou dommage provenant de l'utilisation de pièces non autorisées ou autres que des pièces originales, annule la garantie. Un technicien qualifié autorisé doit procéder à l'installation en conformité avec les instructions fournies avec le produit et avec les codes du bâtiment locaux et nationaux. Tout appel de service relié à une mauvaise installation n'est pas couvert par la présente garantie.

Le fabricant peut exiger que les produits défectueux lui soient retournés ou que des photos numériques lui soient fournies pour appuyer la réclamation. Les produits retournés doivent être expédiés port payé au fabricant pour étude. Les frais de transport pour le retour du produit à l'acheteur seront payés par le fabricant. Tout travail de réparation couvert par la garantie et fait au domicile de l'acheteur par un technicien qualifié autorisé doit d'abord être approuvé par le fabricant. Tous les frais de pièces et main-d'œuvre couverts par la présente garantie sont limités au tableau ci-dessous.

Le fabricant peut, à sa discrétion, décider de réparer ou remplacer toute pièce ou unité après inspection et étude du défaut. Le fabricant peut, à sa discrétion, se décharger de toutes ses obligations en ce qui concerne la présente garantie en remboursant le prix de gros de toute pièce défectueuse garantie. Le fabricant ne peut, en aucun cas, être tenu responsable de tout dommage extraordinaire, indirect ou consécutif, quelle qu'en soit la nature, qui dépasserait le prix d'achat original du produit. Les pièces couvertes par une garantie à vie sont sujettes à une limite d'un seul remplacement sur la durée de vie utile du produit. Cette garantie s'applique aux produits achetés après le 1<sup>er</sup> juin 2015.

DESCRIPTION	APPLICATION DE LA GARANTIE*	
	PIÈCES	MAIN-D'ŒUVRE
Chambre à combustion (soudures seulement**), échangeur de chaleur (soudures seulement**) et cadrage de porte en acier coulée (fonte).	À vie	5 ans
Habillage, écran coupe-chaleur, tiroir à cendres, pattes, piédestal, moulures décoratives (extrusions), placage (défaut de fabrication**) et verre céramique (bris thermique seulement**).	À vie	s.o.
Moulures de vitre, ensemble de poignée, tige de nettoyage, mécanisme de contrôle d'air et vis sans fin.	5 ans	1 an
Pièces amovibles en acier inoxydable, pot de combustion, déflecteurs, supports et coupe-feu.	5 ans	s.o.
Ventilateurs, moteur de vis, carte électronique, allumeur, capteurs thermiques, rhéostats, câblage et autres commandes.	2 ans	1 an
Peinture (écaillage**), joints d'étanchéité, isolants, panneaux d'imitation de maçonnerie**, bûches décoratives** et autres options.	1 an	s.o.
Toutes les pièces remplacées au titre de la garantie.	90 jours	s.o.

**\*Sous réserve des limitations ci-dessus.    \*\*Photos exigées.**

Les frais de main-d'œuvre et de réparation portés au compte du fabricant sont basés sur une liste de taux prédéterminés et ne doivent pas dépasser le prix de gros de la pièce de rechange.

Si votre appareil ou une pièce sont défectueux, communiquez immédiatement avec votre détaillant **OSBURN**. Avant d'appeler, ayez en main les renseignements suivants pour le traitement de votre réclamation sous garantie :

- Votre nom, adresse et numéro de téléphone;
- La facture et le nom du détaillant;
- La configuration de l'installation;
- Le numéro de série et le nom du modèle tel qu'indiqué sur la plaque signalétique de l'appareil;
- La nature du défaut et tout renseignement important.

**Avant d'expédier votre appareil ou une pièce défectueuse à notre usine, vous devez obtenir un numéro d'autorisation de votre détaillant OSBURN. Toute marchandise expédiée à notre usine sans autorisation sera automatiquement refusée et retournée à l'expéditeur.**

Granule Révision : Juin 2015





Ce manuel peut être téléchargé gratuitement à partir du site web du fabricant. Il s'agit d'un document dont les droits d'auteur sont protégés. La revente de ce manuel est formellement interdite. Le fabricant se réserve le droit de modifier ce manuel de temps à autre et ne peut être tenu responsable de tous problèmes, blessures ou dommages subis suite à l'utilisation d'information contenue dans tout manuel obtenu de sources non autorisées.



Fabricant de poêles International inc.  
250, rue de Copenhague  
St-Augustin-de-Desmaures (Québec) Canada  
G3A 2H3  
418-908-8002  
[www.osburn-mfg.com](http://www.osburn-mfg.com)  
[tech@sbi-international.com](mailto:tech@sbi-international.com)